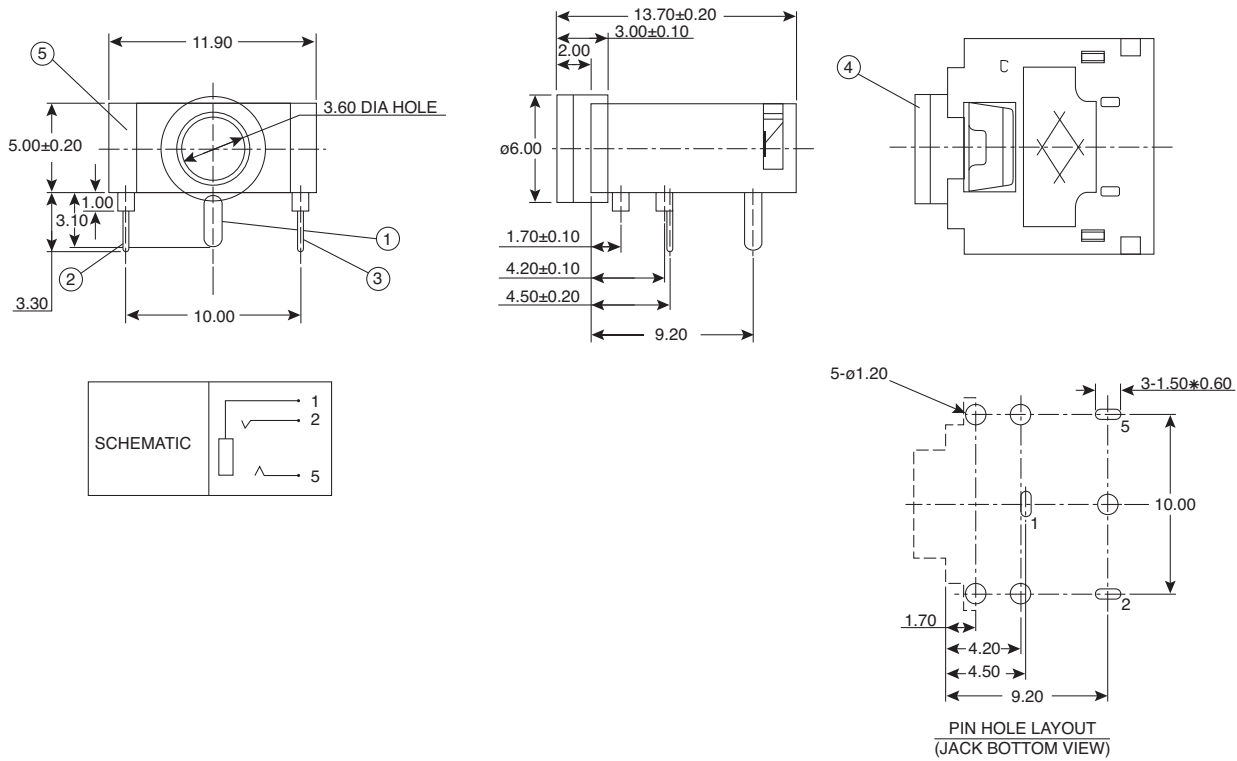


Phone 3.5mm Stereo

161-3503L-E



Phone 3.5mm Stereo



Dimensions: mm

MATERIAL SPECIFICATIONS				
No.	Description	Material	QTY	Finish
1	Earth Terminal	0.25T Phosphor Bronze	1	Silver Plated
2	Ring Spring	0.2T TicuR1-M-EH	1	Silver Plated
4	Tip Spring	0.25T TicuR1-M-EH	1	Silver Plated
5	Barrel	Brass	1	Nickel Plated
6	Housing	PBT	1	Black Color

ELECTRICAL SPECIFICATIONS	
Contact Resistance:	30mΩ max
Isulation Resistance:	100MΩ min at DC 500V
Dielectric Withstanding	AC 500V for one minute.
Voltage:	

RoHS Compliant

Date Last Revised: 12/31/08

Available from Mouser Electronics
1-800-346-6873
www.mouser.com

KC-301275

Specifications are subject to change without notice. No liability or warranty implied by this information. Environmental compliance based on producer documentation.

161-3503L-E

Mouser Electronics

Authorized Distributor

Click to View Pricing, Inventory, Delivery & Lifecycle Information:

[Kobiconn:](#)

[161-3503L-E](#)