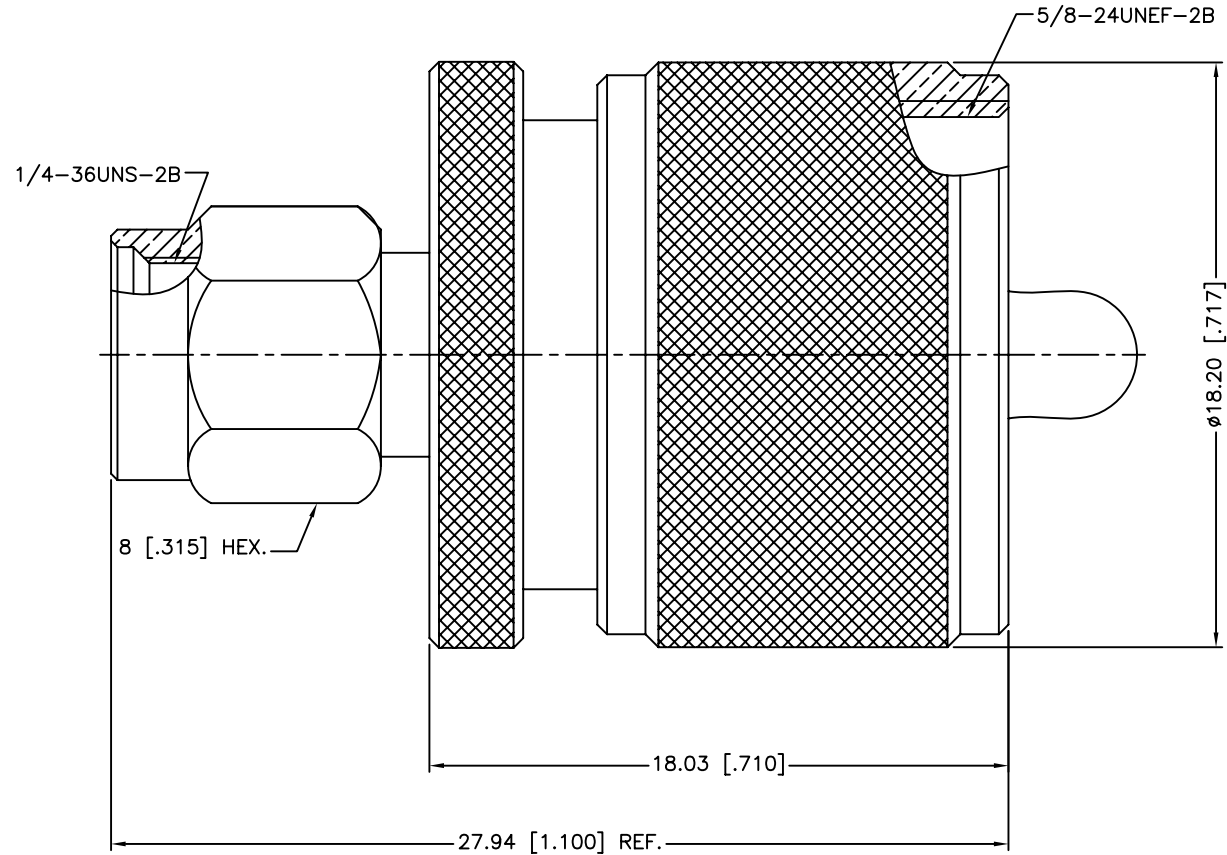


REV.	DATE	ECR NO.	DESCRIPTION
NC	01/08/97	XXXXXX	INITIAL RELEASE
A	11/07/13	2553	UPDATE DRAWING FORMAT



1. IMPEDANCE: 50 OHM
2. FREQUENCY RANGE: 0-200 MHZ
3. VSWR: 1.3 MAX.
4. DIELECTRIC WITHSTANDING VOLTAGE: 1000 VRMS, MIN.
5. DURABILITY: 500 CYCLES MIN.
6. TEMPERATURE RANGE: -65°C TO +165°C

NO.	DESCRIPTION	MATERIAL	FINISH	QTY
10	RETAINER RING	BRASS	NICKEL	1
9	SHELL	BRASS	NICKEL	1
8	INSULATOR	PTFE	NATURAL	1
7	CONTACT PIN	BRASS	GOLD	1
6	CONTACT PIN	BRASS	GOLD	1
5	INSULATOR	PTFE	NATURAL	1
4	GASKET	SILICONE RUBBER	RED	1
3	RETAINER RING	SUS 304	NATURAL	1
2	BODY	BRASS	NICKEL	1
1	SHELL	BRASS	NICKEL	1
	DESCRIPTION	MATERIAL	FINISH	QTY

UNLESS OTHERWISE SPECIFIED DIMENSIONS ARE IN MILLIMETERS. DIMENSIONS IN [] ARE IN INCHES AND FOR CUSTOMER REFERENCE ONLY.
 UNLESS OTHERWISE SPECIFIED
 TOLERANCES FOR MILLIMETERS ARE:
 <0.5 ± 0.05mm
 0.5 - 6mm ± 0.10mm
 6 - 30mm ± 0.20mm
 30 - 120mm ± 0.30mm
 ANGLES ± 1°
 UNLESS OTHERWISE SPECIFIED
 TOLERANCES FOR INCHES ARE:
 <.020 ± 0.002"
 .020 - .236 = ± 0.004"
 .236 - 1.180 = ± 0.007"
 1.180 - 4.724 = ± 0.012"
 ANGLES ± 1°

DO NOT SCALE DRAWING

APPROVALS		DATE
DRAWN	M.ZHANG	11/07/13
CHECKED		
ISSUED		
SHEET	1 OF 1	
CAD FILE	C:/CONNEX/242110.DWG	

<h1>Amphenol Connex</h1>			
PART DESCRIPTION SMA MALE TO UHF MALE ADAPTOR			
PART NO. 242110			
DWG. NO.	242110.DWG	REV.	A
SIZE	A	SCALE	NA

Mouser Electronics

Authorized Distributor

Click to View Pricing, Inventory, Delivery & Lifecycle Information:

[Amphenol:](#)

[242110](#)