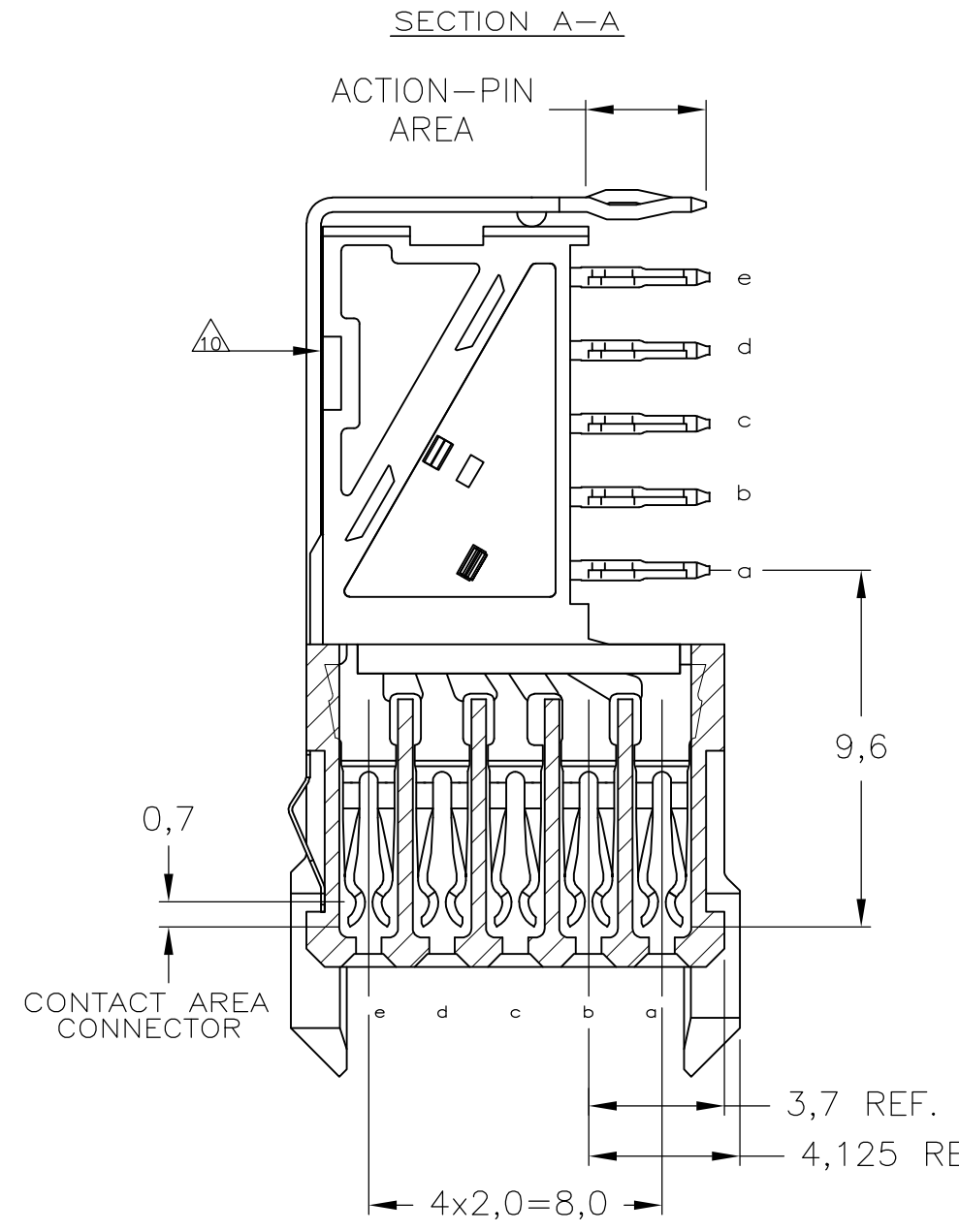
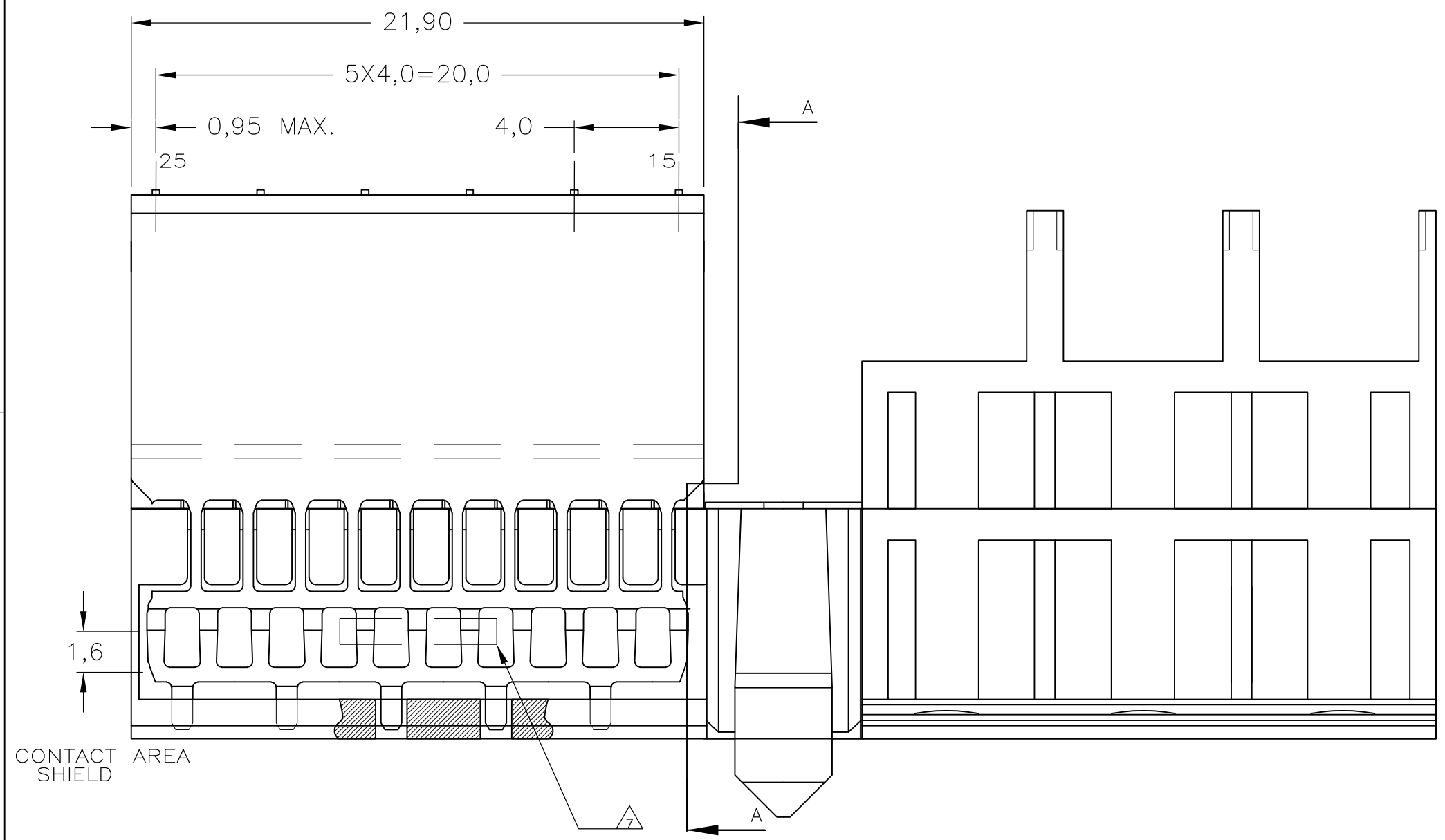
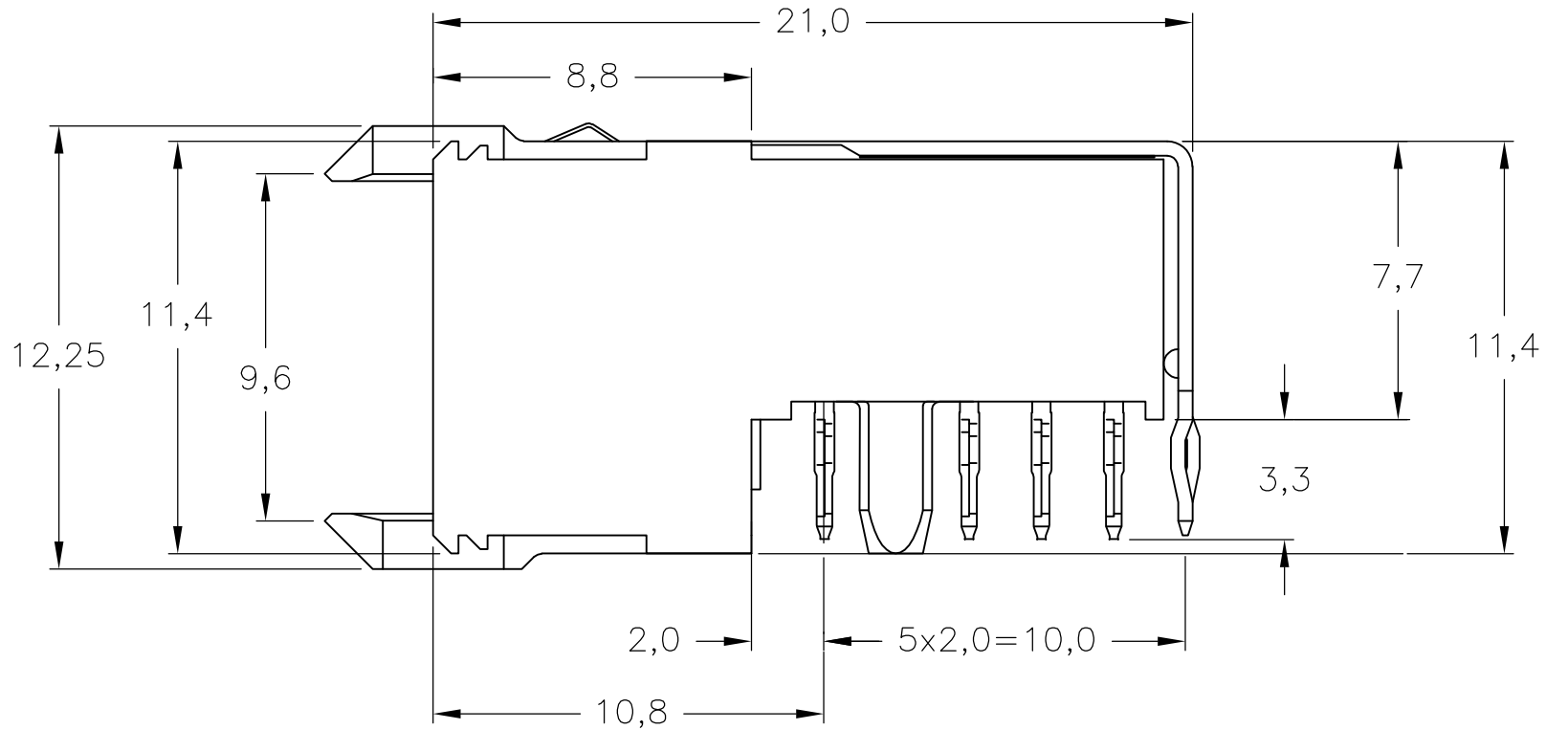
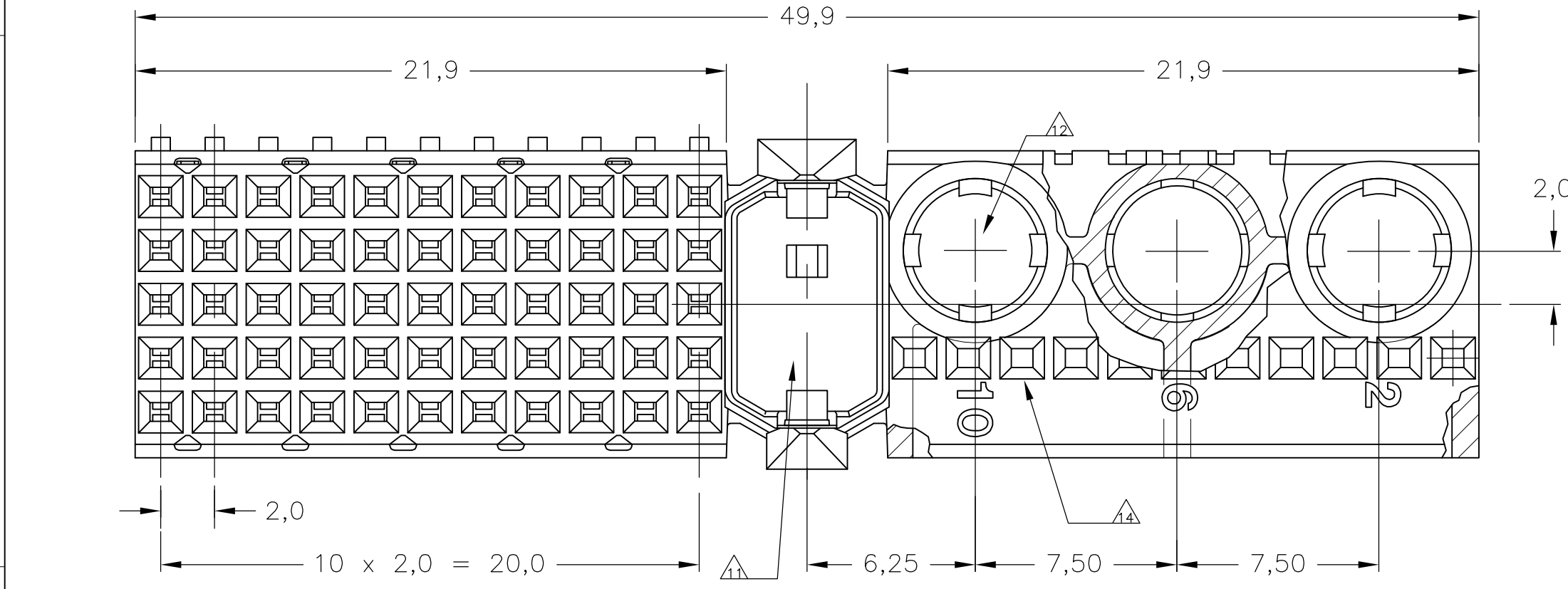


THIS DRAWING IS UNPUBLISHED. RELEASED FOR PUBLICATION  
 © COPYRIGHT - TE Connectivity ALL RIGHTS RESERVED.

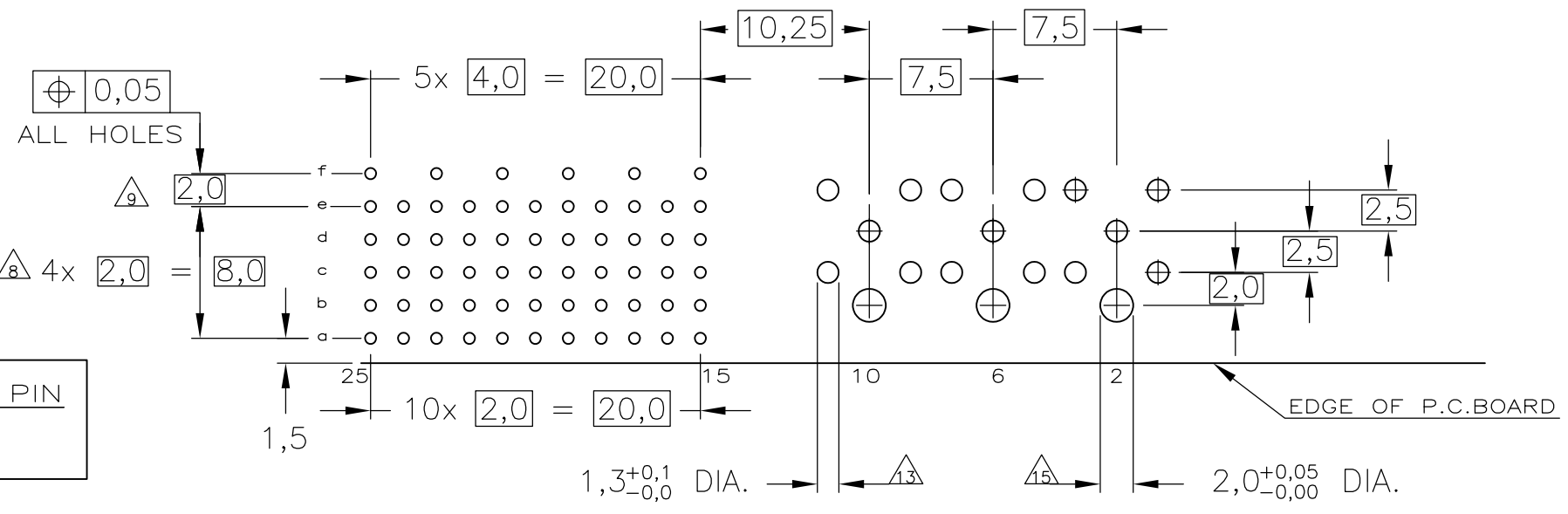
REVISIONS					
P	LTR	DESCRIPTION	DATE	DWN	APVD
D		ECR-16-013298	02JUN2017	FL	SY



- NOTES:
- 1 MATERIAL CONTACTS ; PHOSPHORBRONZE  
MATERIAL SHIELDING ; PHOSPHORBRONZE  
MATERIAL HOUSING ; GLASSFILLED POLYESTER (GRAY)  
UL-RATING 94V0.
  - 2 GENERAL PLATING SPECIFICATION: UNDERPLATING  
(ENTIRE CONTACT): 1,27µm NICKEL MIN. AND ACTION  
PIN: 0,5µm TIN MIN.  
FOR PLATING OF MATING SURFACES SEE APPLICABLE  
SPECIFICATION REFERENCE FOR EACH DASH NUMBER.
  - 3 CONFORMS TO ALL TESTING ACCORDING IEC 61076-4-101  
PERFORMANCE LEVEL 2.
  - 4 CONNECTOR TESTED AND QUALIFIED AGAINST TELCORDIA GR-1217-CORE  
QUALITY LEVEL III, CENTRAL OFFICE APPLICATIONS.
  - 5 CONNECTOR LUBRICATED WITH TELCORDIA GR-1217-CORE APPROVED LUBRICANT.
  - 6 PLATING SHIELD :  
CONTACT AREA : 0,76µm Au MIN.  
ACTION PIN : 0,5µm Sn MIN.  
REMAINDER : Ni
  - 7 ASSEMBLY PRINTED WITH P/N AND DATE CODE  
THE MARKING CAN APPEAR ON THE FRONT SIDE  
OR BACK SIDE
  - 8 HOLE PATTERN FOR FEMALE CONNECTOR TYPE M  
55 PLATED-THROUGH HOLES AT 2x2mm SQUARE GRID
  - 9 ROW "f" 6 PLATED THROUGH HOLES FOR UPPERSHIELD
  - 10 SHIELD MOUNTED ON CONNECTOR WITH DOUBLE SIDED  
ADHESIVE TAPE OR ADHESIVE
  - 11 AREA RESERVED FOR KEYING PART (BASIC P.N. 100526)
  - 12 CONTACT CAVITIES (3x) SUITABLE FOR 4,8 DIA. HIGH CURRENT,  
HIGH FREQUENCY OR FIBRE OPTIC CONTACTS AS PER DIN 41626  
(SEE ALSO NOTE 13).
  - 13 1,3 DIA. PLATED-THROUGH HOLES (15x) CAN BE OMITTED  
IF SPECIAL CONTACTS WITH CABLE CONNECTION OR FIBRE  
OPTIC CONTACTS ARE USED.
  - 14 THIS ROW OF 11 CAVITIES (B1 TO B11) FOR  
CONNECTOR ASSEMBLY PURPOSE ONLY.
  - 15 NOT PLATED-THROUGH HOLES (3x).
  - 16 FITS WITH LOWERSHIELD BASIC P/N 5352112



COMPONENT SIDE AS SHOWN  
 RECOMMENDED PCB-HOLE LAY-OUT  
 SCALE 2,5:1



P.C.B. HOLE DIM. ACTION PIN  
 FOR DETAILS SEE  
 APPLICATION SPECIFICATION

OBSOLETE	2, 4, 5, 6	1	5352177-9
	2, 3, 6	1	5352177-1
	FINISH	MATERIAL	PARTNUMBER

THIS DRAWING IS A CONTROLLED DOCUMENT.

DWN	20AUG2004	 TE Connectivity	Z-PACK 2mm HM TYPE M (55 POS.) PRE-SHIELDED RECEPTACLE	
CHK	27OCT2004			
APVD	27OCT2004			
PRODUCT SPEC				
NAME	K.N.KIRAN		NAME	108-19082
APPLICATION SPEC	B.MOOIJ		SIZE	114-19029
WEIGHT	B.MOOIJ		CAGE CODE	0.000000
CUSTOMER DRAWING	114-19029		DRAWING NO	A2 00779
	114-19029		RESTRICTED TO	-
	0.000000		SCALE	5:1
	0.000000		SHEET	1 of 1
	0.000000		REV	D

# Mouser Electronics

Authorized Distributor

Click to View Pricing, Inventory, Delivery & Lifecycle Information:

[TE Connectivity:](#)

[5352177-1](#)