

PLEASE CHECK WWW.MOLEX.COM FOR LATEST PART INFORMATION

Part Number: [0510150400](#)
Status: **Active**
Description: 20MM 4CKT BOARD IN HOUS

Documents:

[3D Model](#) [Product Specification PS-51015-002-001 \(PDF\)](#)
[Drawing \(PDF\)](#) [RoHS Certificate of Compliance \(PDF\)](#)

General

Product Family Crimp Housings
 Series [51015](#)
 Application Signal
 Product Name Board-in
 UPC 800753575752

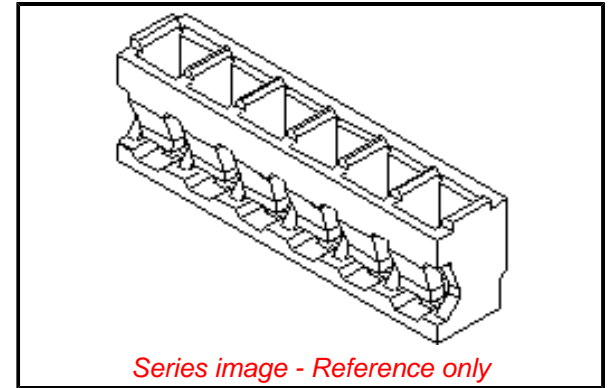
Physical

Circuits (maximum) 4
 Color - Resin Natural
 Gender Plug
 Glow-Wire Capable No
 Material - Resin Nylon
 Net Weight 78.000/mg
 Number of Rows 1
 Packaging Type Bag
 Panel Mount No
 Pitch - Mating Interface 2.00mm
 Stackable No
 Temperature Range - Operating -40° to +105°C

Material Info

Reference - Drawing Numbers

Product Specification PS-51015-002-001
 Sales Drawing SD-51015-**00



EU ELV

Not Relevant

EU RoHS

Compliant

REACH SVHC

Not Contained Per -
 ED/61/2018 (27 June
 2018)

Halogen-Free

Status

Not Low-Halogen

**Need more information on product
 environmental compliance?**

Email productcompliance@molex.com
 Please visit the [Contact Us](#) section for any
 non-product compliance questions.

China ROHS

ELV

Prop65

RoHS Phthalates

China RoHS

Green Image

Not Relevant

Compliant

Not Contained

Search Parts in this Series

[51015 Series](#)

Use With

[50034](#)

Mouser Electronics

Authorized Distributor

Click to View Pricing, Inventory, Delivery & Lifecycle Information:

[Molex:](#)

[51015-0400](#)