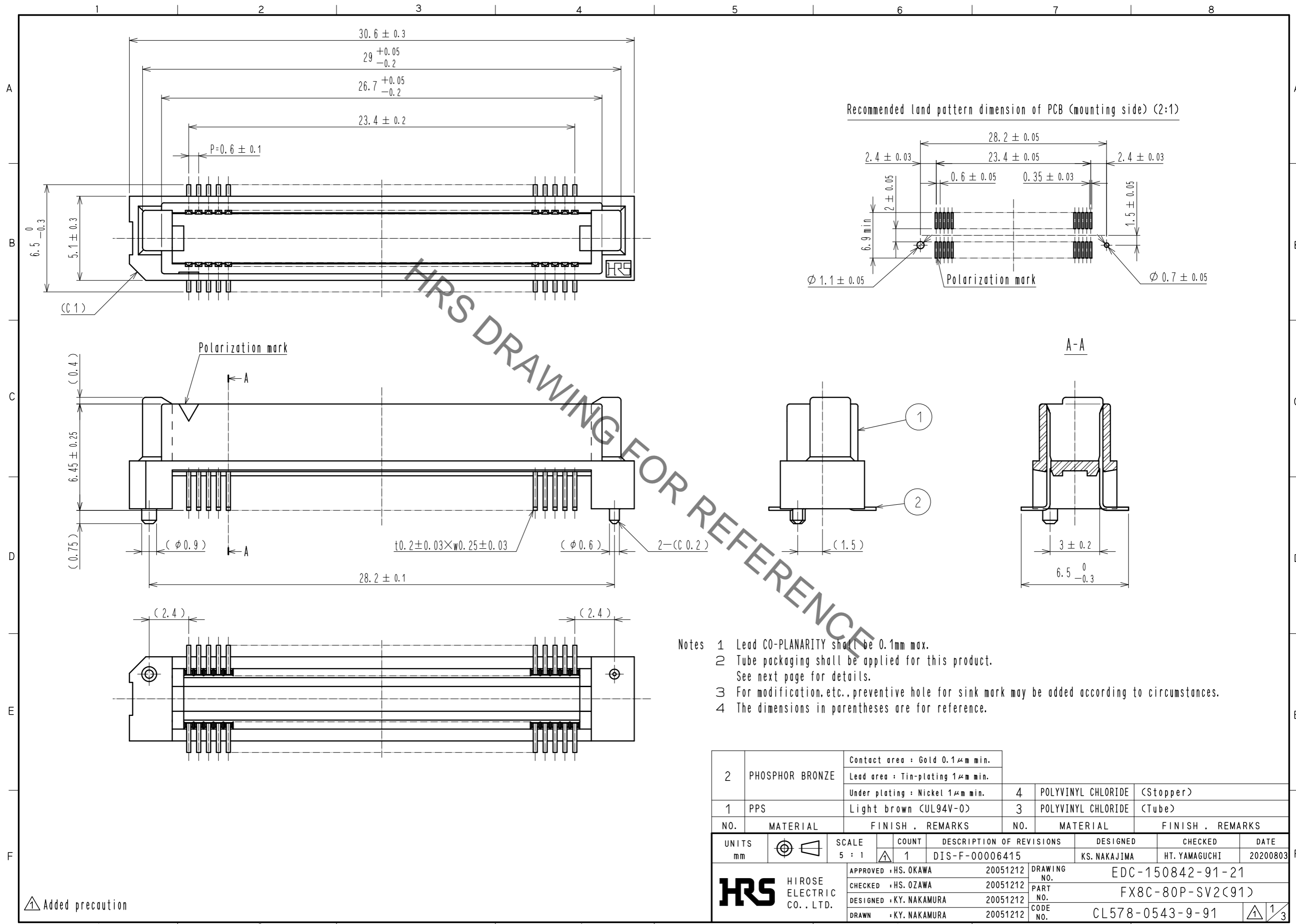
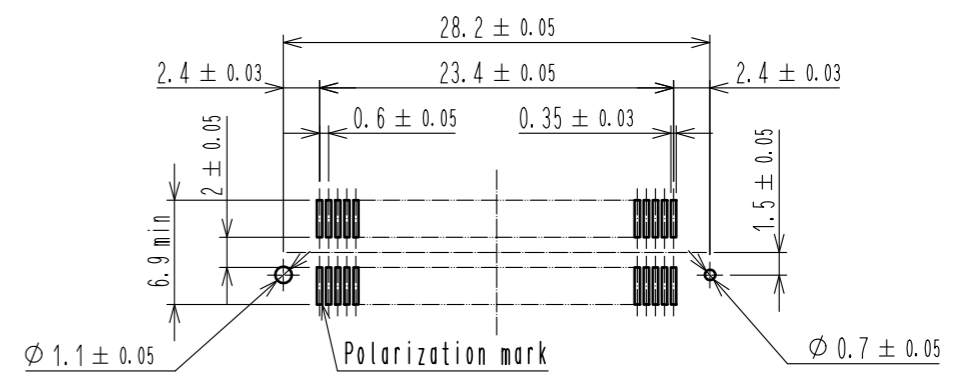


Aug.1.2020 Copyright 2020 HIROSE ELECTRIC CO., LTD. All Rights Reserved.
In case of consideration for using Automotive equipment / device which demand high reliability, kindly contact our sales window correspondents.



Recommended land pattern dimension of PCB (mounting side) (2:1)

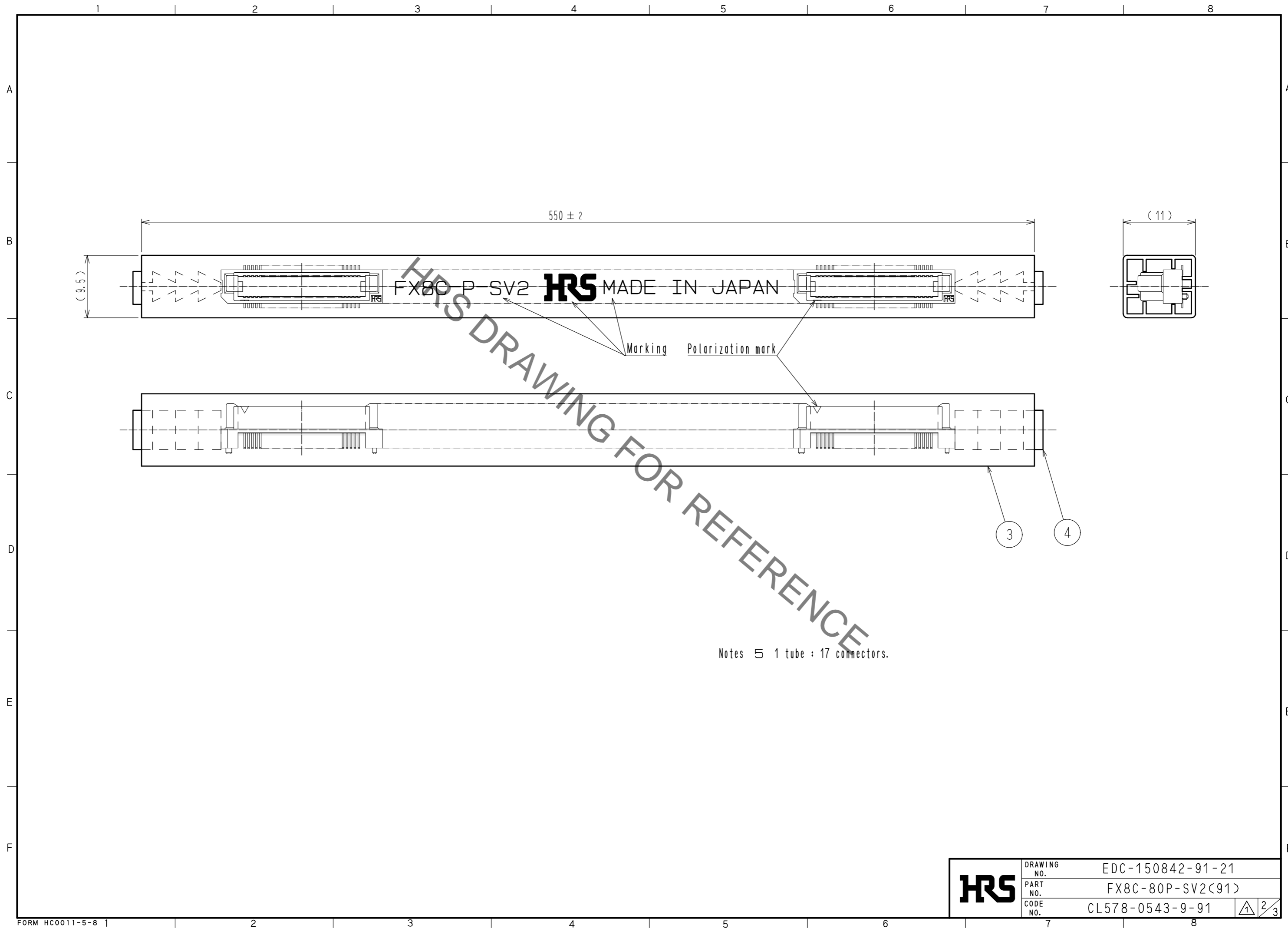


- Notes
- 1 Lead CO-PLANARITY shall be 0.1mm max.
 - 2 Tube packaging shall be applied for this product. See next page for details.
 - 3 For modification, etc., preventive hole for sink mark may be added according to circumstances.
 - 4 The dimensions in parentheses are for reference.

2	PHOSPHOR BRONZE	Contact area : Gold 0.1μm min.	4	POLYVINYL CHLORIDE	(Stopper)
		Lead area : Tin-plating 1μm min.			
		Under plating : Nickel 1μm min.			
1	PPS	Light brown (UL94V-0)	3	POLYVINYL CHLORIDE	(Tube)
NO.	MATERIAL	FINISH . REMARKS	NO.	MATERIAL	FINISH . REMARKS
UNITS mm		SCALE 5 : 1	COUNT 1	DESCRIPTION OF REVISIONS DIS-F-00006415	
DESIGNED KS. NAKAJIMA		CHECKED HT. YAMAGUCHI		DATE 20200803	
APPROVED : HS. OKAWA 20051212		DRAWING NO. EDC-150842-91-21		PART NO. FX8C-80P-SV2(91)	
CHECKED : HS. OZAWA 20051212		DESIGNED : KY. NAKAMURA 20051212		CODE NO. CL578-0543-9-91	
DRAWN : KY. NAKAMURA 20051212		DRAWING NO. EDC-150842-91-21		PART NO. FX8C-80P-SV2(91)	
DRAWN : KY. NAKAMURA 20051212		DRAWING NO. EDC-150842-91-21		PART NO. FX8C-80P-SV2(91)	

Added precaution

Aug.1.2020 Copyright 2020 HIROSE ELECTRIC CO., LTD. All Rights Reserved.
In case of consideration for using Automotive equipment / device which demand high reliability, kindly contact our sales window correspondents.



HRS	DRAWING NO.	EDC-150842-91-21
	PART NO.	FX8C-80P-SV2(91)
	CODE NO.	CL578-0543-9-91
		2/3

Aug.1.2020 Copyright 2020 HIROSE ELECTRIC CO., LTD. All Rights Reserved.
In case of consideration for using Automotive equipment / device which demand high reliability, kindly contact our sales window correspondents.

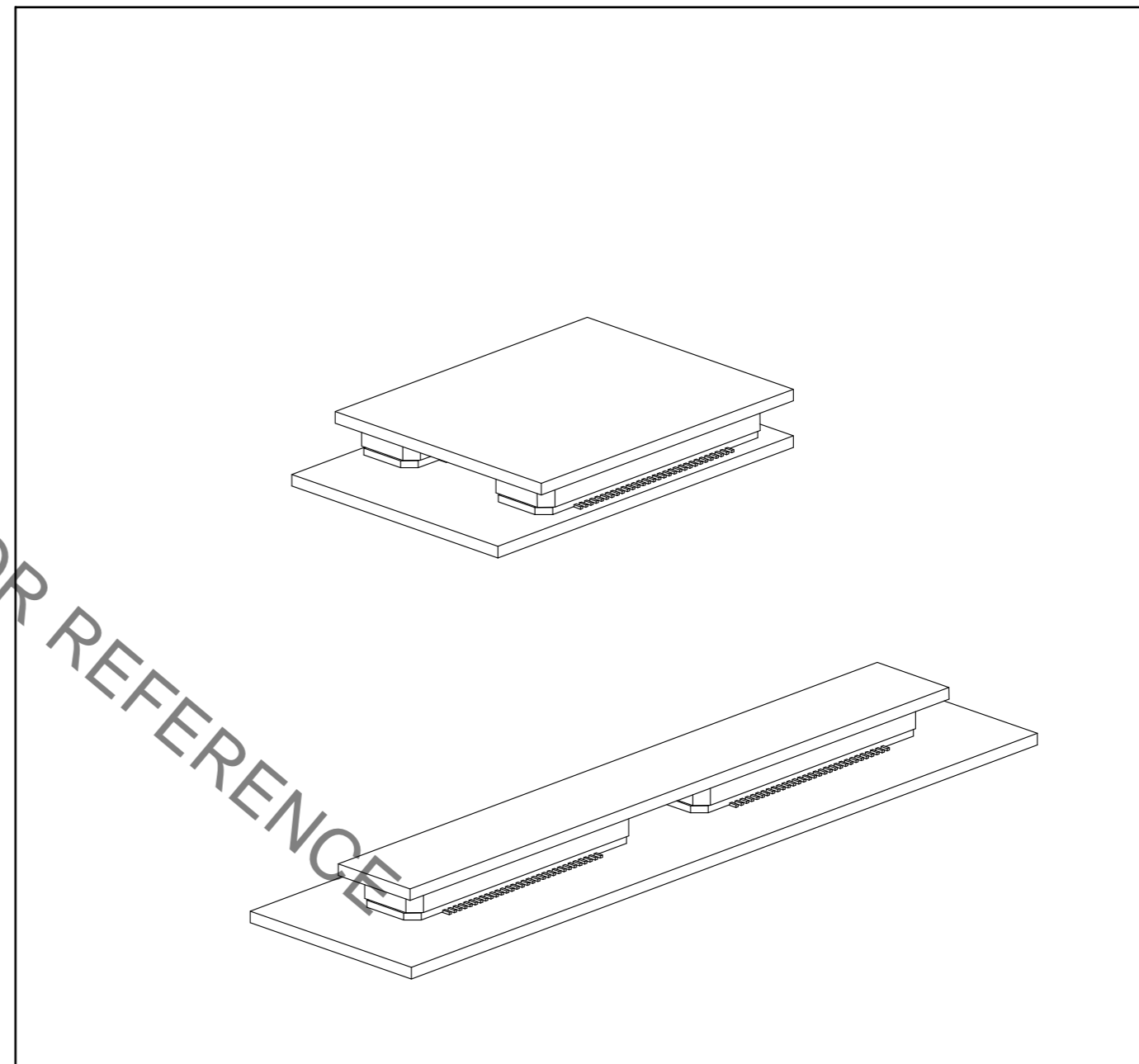
【 Precaution 】

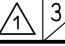
When a board with multiple connectors mounted is mated, the connector may be damaged or deformed.
Please divide one side of the board so only one connector is mated per board.

OK



NG



HRS	DRAWING NO.	EDC-150842-91-21
	PART NO.	FX8C-80P-SV2(91)
	CODE NO.	CL578-0543-9-91
		 3/3