

LOC  
E

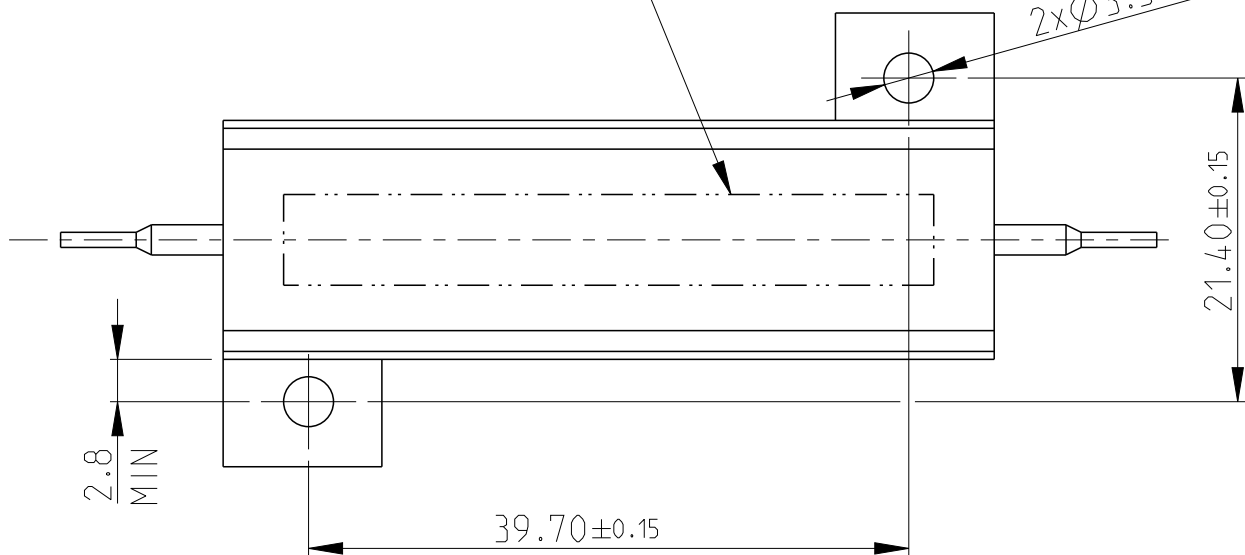
DIST  
B

REVISIONS

| P  | LTR | DESCRIPTION               | DATE      | DWN | APVD |
|----|-----|---------------------------|-----------|-----|------|
| B2 |     | REVISED PER ECO-11-005150 | 29MAR2011 | RK  | HMR  |
| L  |     | ECR-16-003725             | 12MAR2016 | KR  | TN   |

LASER MARKING: TE LOGO PN VALUE  
TOLERANCE & DATE CODE

2x $\varnothing 3.3 \pm 0.2$  HOLES



- 1 FOR FURTHER INFORMATION SEE DATA SHEET FOR HS SERIES-ALUMINIUM HOUSED RESISTORS
- 2 FOR A SPECIFIC PN FOR A RESISTANCE VALUE AND TOLERANCE, PLEASE REFER TO DMF
- 3 TECHNICAL SPECIFICATION

DISSIPATION AT 25°C : 50 WATTS MOUNTED  
ON STANDARD HEATSINK

BS OHMIC RANGE : R051 TO 72K

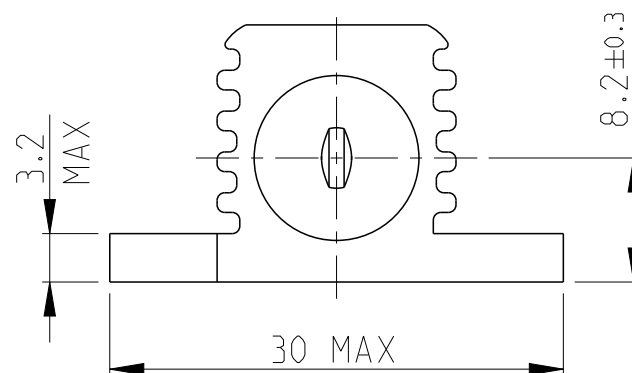
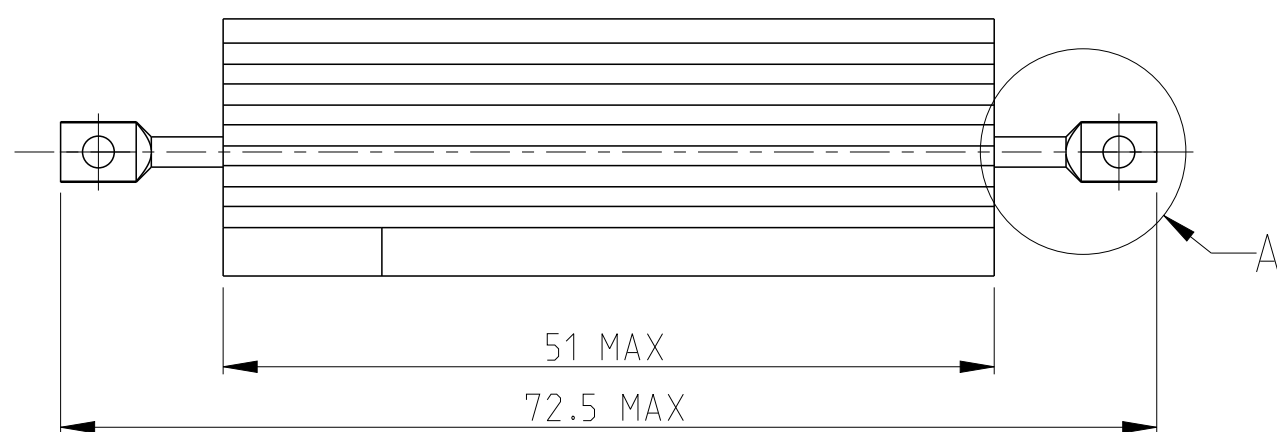
STABILITY :  $\Delta R < = 1\%$  PER 1000Hrs

ISOLATION VOLTAGE : 2500V DC/AC pk

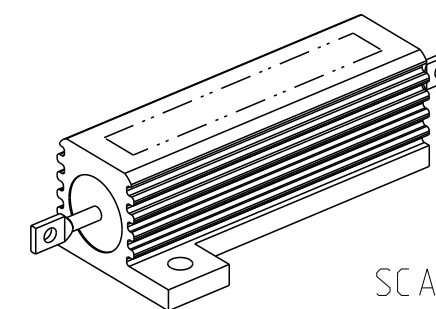
MAX WORKING VOLTAGE : 1250V DC/AC rms

TEMP COEFFICIENT : > 1R0 50ppm  
> 100R 25ppm

CLIMATIC CATEGORY : 55/200/56

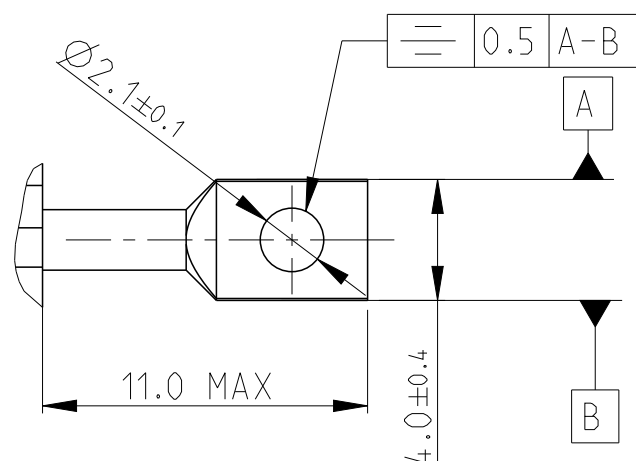


RoHS Compliant



SCALE 1:1

DETAIL A  
SCALE 4:1



THIS DRAWING IS A CONTROLLED DOCUMENT.

| DIMENSIONS: | TOLERANCES UNLESS OTHERWISE SPECIFIED: |
|-------------|--|
| mm          |  |
|             | 0 PLC $\pm 0.5$                        |
|             | 1 PLC $\pm 0.2$                        |
|             | 2 PLC $\pm 0.1$                        |
|             | 3 PLC $\pm$                            |
|             | 4 PLC $\pm$                            |
|             | ANGLES $\pm 5^\circ$                   |
| MATERIAL    | FINISH                                 |
| -           | -                                      |

|                  |           |
|------------------|-----------|
| DWN              | 22.SEP.05 |
| DAVE KENNEDY     |           |
| CHK              | 23.SEP.05 |
| J CATCHPOLE      |           |
| APVD             | 23.SEP.05 |
| J CATCHPOLE      |           |
| PRODUCT SPEC     |           |
| APPLICATION SPEC |           |
| WEIGHT           | -         |
| CUSTOMER DRAWING |           |

|                         |           |                 |               |
|-------------------------|-----------|-----------------|---------------|
|                         |           | TE Connectivity |               |
| NAME<br>HSA50 WIDE BORE |           |                 |               |
| SIZE                    | CAGE CODE | DRAWING NO      | RESTRICTED TO |
| A3                      | 00779     | C=1625984       | -             |
| SCALE 3:1               |           | SHEET 1 OF 1    | REV L         |

# Mouser Electronics

Authorized Distributor

Click to View Pricing, Inventory, Delivery & Lifecycle Information:

[TE Connectivity:](#)

[HSA501K0J](#)