

THIS DRAWING IS UNPUBLISHED. VERTRÄULICHE UNVERÖFFENTLICHTE ZEICHNUNG. RELEASED FOR PUBLICATION FREI FÜR VERÖFFENTLICHUNG. 2014. MATED WITH: PASSEND ZU: Tycos Electronics AMP GmbH. ALL RIGHTS RESERVED. ALLE RECHTE VORBEHALTEN.

PROJECT NR.: PRJ-14-00000805

P	LTR	REVISIONS ÄNDERUNGEN DESCRIPTION BESCHREIBUNG	DATE	DWN	APVD
	A2	DESCRIPTION CORRECTED FROM SOLDER TO SCREW TERMINAL IN TITLE BLOCK	13NOV2014	CR	JK

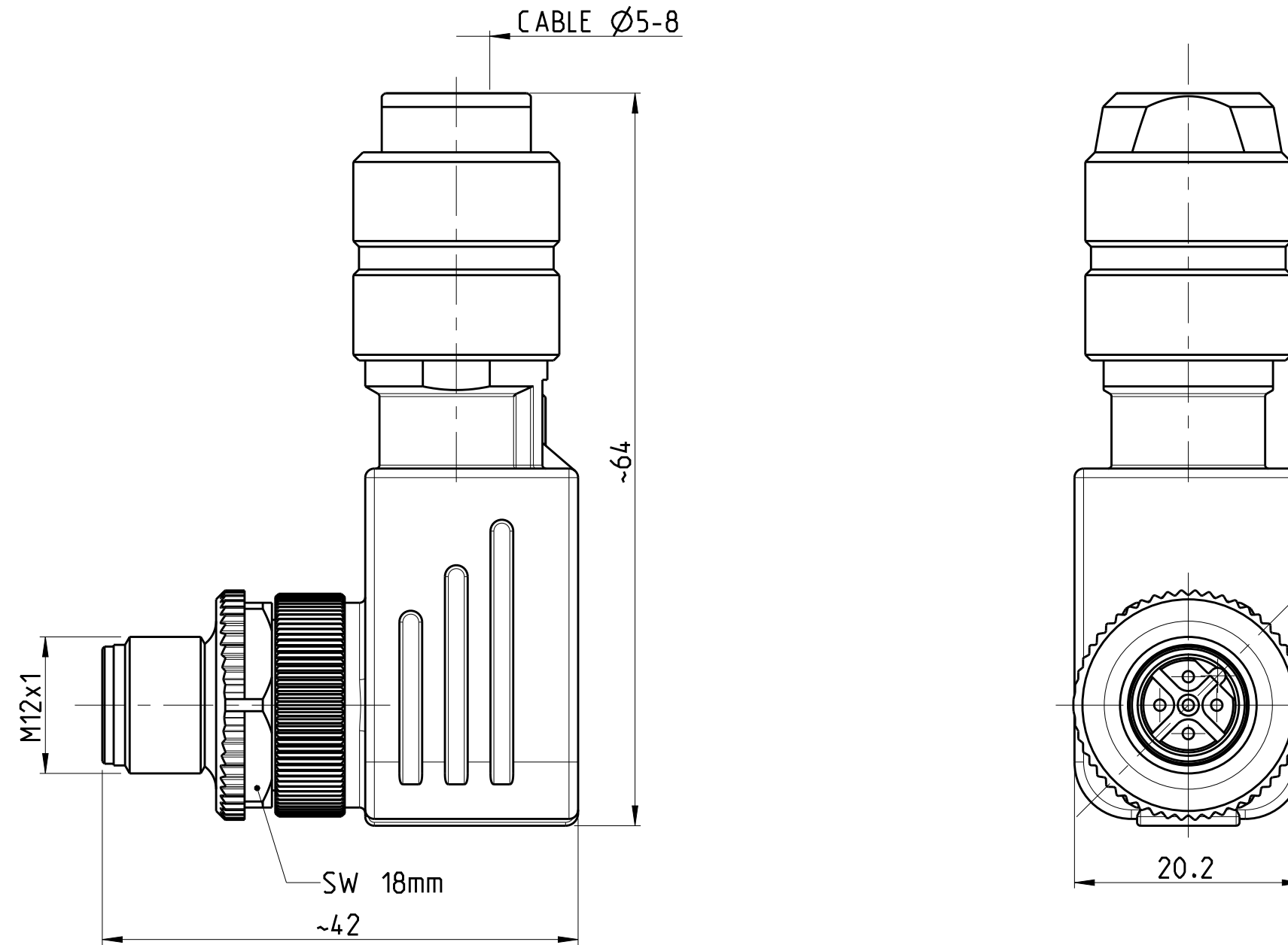
1 MATERIAL: ITEM NO. 1: HOUSING - ZINC DIECASTING, NICKEL PLATED, PBT
 ITEM NO. 2: CONTACT BODY - PA
 ITEM NO. 3: CONTACT - CuSn (brass)
 CONTACT FINISH - Au (gold)

2 ALL DIMENSIONS ARE FOR NOMINAL REFERENCE ONLY UNLESS OTHERWISE STATED

3 MEASUREMENT REFERENCE ONLY

4 PACKAGING: 1 PIECE IN A BAG

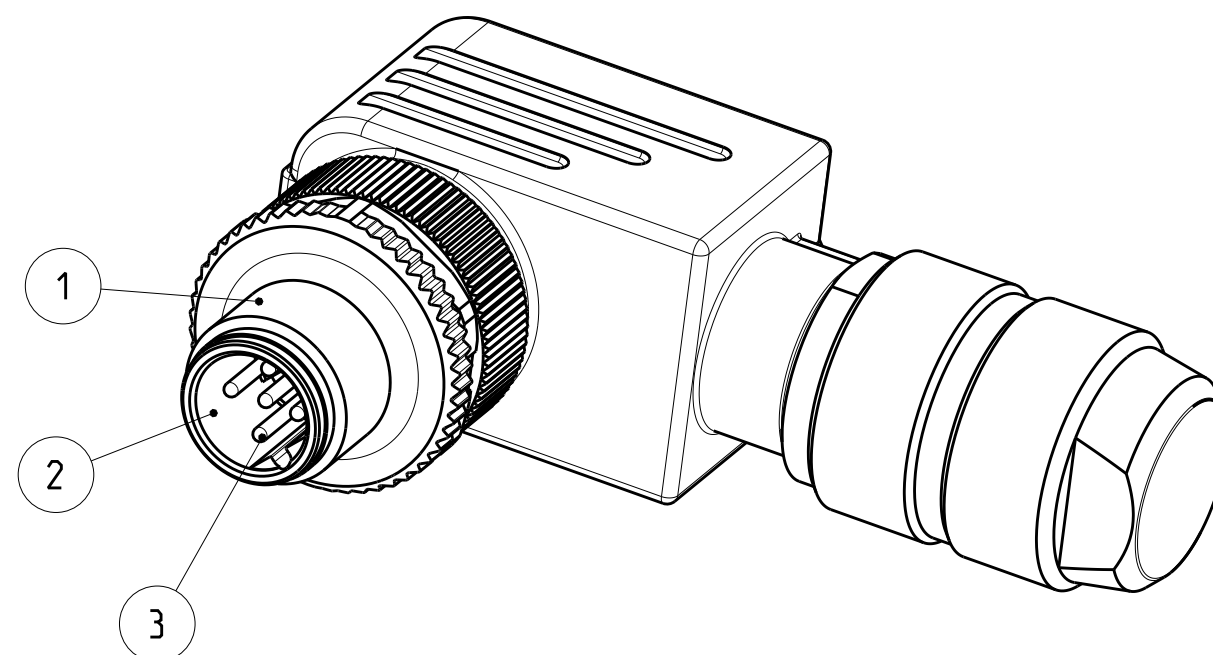
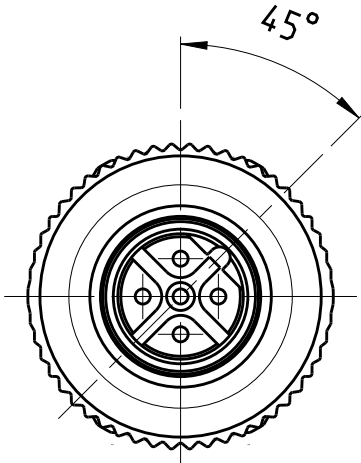
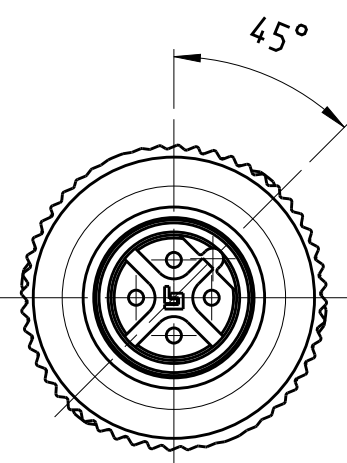
TECHNICAL DATA	3-2271125-2	4-2271125-2
RATED VOLTAGE	250V	125V
RATED IMPULSE VOLTAGE	2500V	1500V
POLLUTION DEGREE	3	3
OVERVOLTAGE CATEGORY	II	II
MATERIAL GROUP	III	III
RATED CURRENT	4A	4A
VOLUME RESISTIVITY	≤ 3mΩ	≤ 3mΩ
DEGREE OF PROTECTION	IP67	IP67
UPPER TEMPERATURE	+85 °C	+85 °C
LOWER TEMPERATURE	-40 °C	-40 °C



PIN ARRANGEMENT
B-CODING (SCALE 2:1)

3-2271125-2

4-2271125-2



4-2 AS SHOWN
WIE GEZEICHNET

CABLE FEED-THROUGH mm	WIRES AWG / mm ²	MATERIAL	NUMBER OF POLES	TE-PART-NO.
5-8	20 / 0.50mm ²	⚠	5	4-2271125-2
5-8	20 / 0.50mm ²	⚠	4	3-2271125-2

DIESE ZEICHNUNG IST EIN KONTROLLIERTES DOKUMENT. BEMASSUNGEN UND TOLERANZEN GEMAESS GPS (ISO STANDARDS).
 THIS DRAWING IS A CONTROLLED DOCUMENT. DIMENSIONING AND TOLERANCING PER GPS (ISO STANDARDS).

DIMENSIONS: MASSEINHEITEN: (mm)	TOLERANCES UNLESS OTHERWISE SPECIFIED: ALLGEMEINTOLERANZEN	DWN YASHKUMAR 22MAY2014	CHK M.STRELOW 22MAY2014	APVD C.SCHREITLINGER 22MAY2014
0 PLC ±	±	NAME M12 MALE 90 DEG ANGLED FIELD INSTALLABLE, SHIELDED CONNECTOR, SCREW TERMINALS, B-CODING	PRODUCT SPEC 108-19483	SIZE A2
1 PLC ±	±	SCALE MASSSTAB 2:1	APPLICATION SPEC 114-32127	SHEET BLATT 1 OF VON 1
2 PLC ±	±	RESTRICTED TO MUR FÜR -	WEIGHT GEWICHT -	REV A2
3 PLC ±	±	Customer Drawing	ANGLES/WINKEL ±	
4 PLC ±	±		FINISH/OBERFLÄCHE/FARBE	

STE TE Connectivity

NAME: M12 MALE 90 DEG ANGLED FIELD INSTALLABLE, SHIELDED CONNECTOR, SCREW TERMINALS, B-CODING

SIZE: A2 CAGE CODE: 00779 DRAWING NO: C-2271125

SCALE MASSSTAB: 2:1 SHEET BLATT: 1 OF VON 1 REV: A2

SIZE ISO 14405 (E)

Mouser Electronics

Authorized Distributor

Click to View Pricing, Inventory, Delivery & Lifecycle Information:

[TE Connectivity:](#)

[3-2271125-2](#)