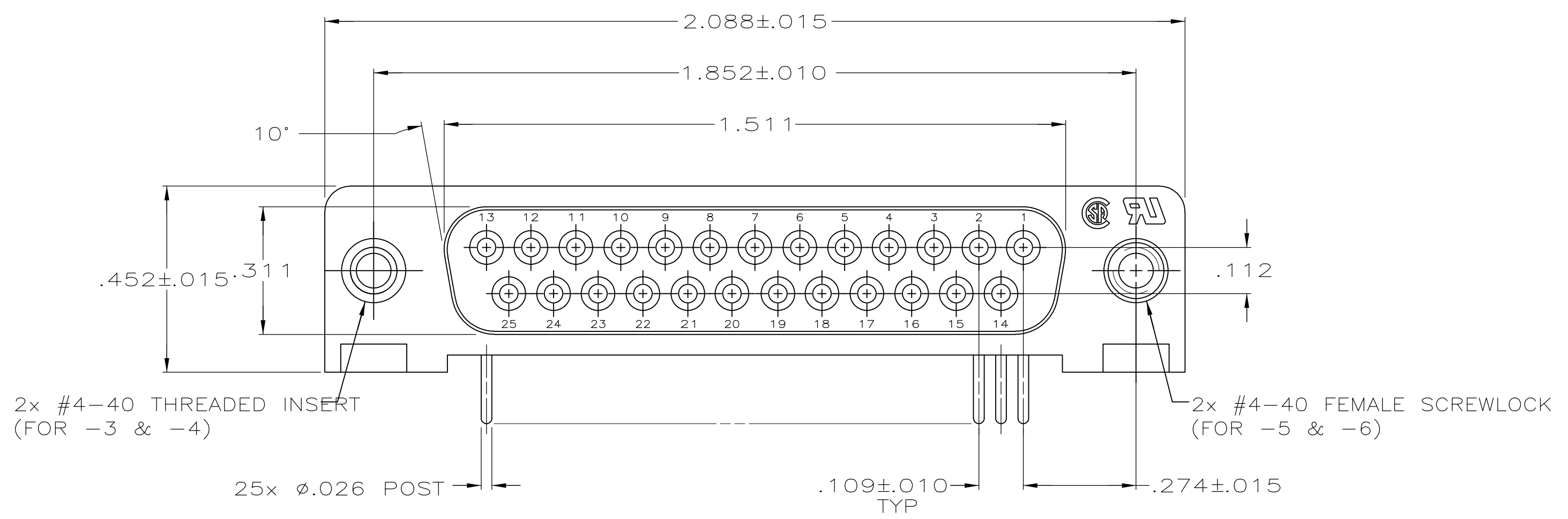
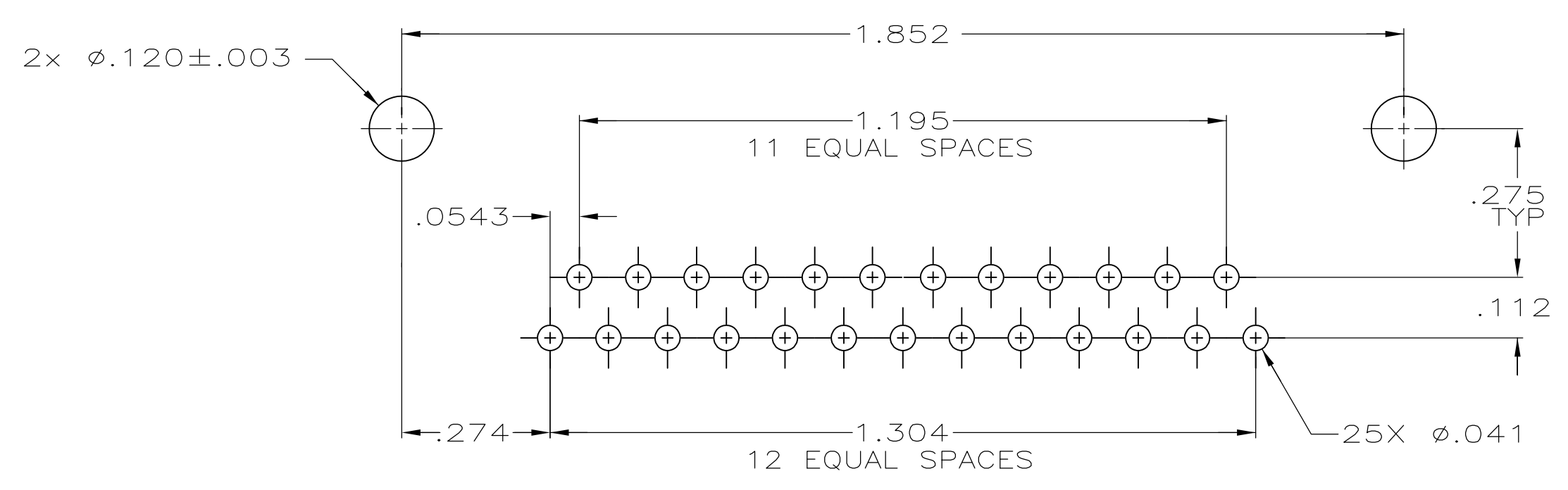
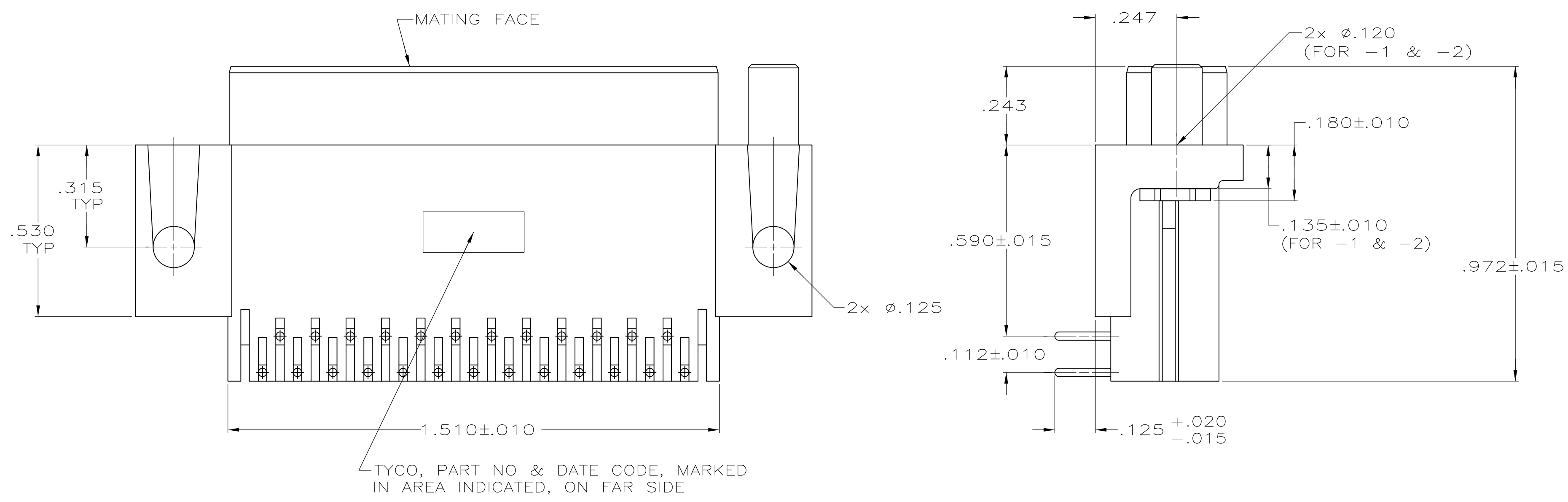


LOC		DIST		REVISIONS			
P	LTR	DESCRIPTION	DATE	DNW	APVD		
P		REVISED PER ECO-11-004835	11MAR11	RK	HMR		



- 1 HOUSING: FLAME RETARDANT, 94V-0 RATED, GLASS FILLED, NYLON OR POLYESTER, COLOR: BLACK  
CONTACTS: PHOS BRONZE.  
INSERTS & SCREWLOCKS: ZINC.
- 2 REFER TO APPLICATION SPEC FOR RECOMMENDED P.C. BOARD MOUNTING DIMENSIONS FOR AUTOMATIC INSERTION.
- 3 CONTACTS: SEE TABLE  
INSERTS & SCREWLOCKS: CLEAR CHROMATE COATING.
- 4 PLATED WITH GOLD FLASH FOR LENGTH OF .055 MIN FROM MATING END, .000100 MIN TIN ON SOLDER END, ALL OVER .000050 MIN NICKEL ON ENTIRE CONTACT.
- 5 PLATED WITH .000030 MIN GOLD FOR LENGTH OF .055 MIN FROM MATING END, .000100 MIN TIN SOLDER END, ALL OVER .000050 MIN NICKEL ON ENTIRE CONTACT.



RECOMMENDED P.C. BOARD MOUNTING DIMENSIONS 2

REMARKS	FINISH	PART NUMBER
WITH SCREWLOCKS	5	5747461-6
WITH SCREWLOCKS	4	5747461-5
WITH INSERTS	5	5747461-4
WITH INSERTS	4	5747461-3
WITH .120 DIA HOLE	5	5747461-2
WITH .120 DIA HOLE	4	5747461-1

**COPYRIGHT 2005  
TE CONNECTIVITY CORP  
ALL RIGHTS RESERVED**

THIS DRAWING IS A CONTROLLED DOCUMENT.

DIMENSIONS: INCHES	TOLERANCES UNLESS OTHERWISE SPECIFIED:	DIN G. PETERS 16SEP05	APVD S. BOLASH 16SEP05	NAME	RECEPTACLE ASSY, SIZE 3, 25 POSN, RIGHT ANGLE, .590 SERIES, .026 DIA POSTS, AMPLIMITE HD-20
0 PLC ± -	1 PLC ± -	APVD M. WALMSLEY 16SEP05	PRODUCT SPEC	108-40025	RESTRICTED TO
2 PLC ± -	3 PLC ± .005	APPLICATION SPEC	114-40015	SIZE	A1
4 PLC ± -	ANGLES ± ± °	WEIGHT	00779	CAGE CODE	5747461
MATERIAL	FINISH	CUSTOMER DRAWING	SCALE	4:1	SHEET 1 of 1

STE TE Connectivity

# Mouser Electronics

Authorized Distributor

Click to View Pricing, Inventory, Delivery & Lifecycle Information:

[TE Connectivity:](#)

[5747461-5](#)