

TPD12S016 HDMI Companion Chip with I²C Level Shifting Buffer, 12-Channel ESD Protection, and Current-Limit Load Switch

1 Features

- Conforms to HDMI Compliance Tests without any External Components
- IEC 61000-4-2 ESD Protection
 - ±8-kV Contact Discharge
- Supports HDMI 1.4 Data Rate
- Matches Class D and Class C Pin Mapping
- 8-Channel ESD Protection for Four Differential Pairs With Ultra-Low Differential Capacitance Matching (0.05 pF)
- On-Chip Load Switch With 55-mA Current Limit at the HDMI 5V_OUT Pin
- Auto-direction Sensing I²C Level Shifter with One-shot Circuit to Drive a Long HDMI Cable (750-pF Load)
- Back-drive Protection on HDMI Connector Side Ports
- Integrated Pullup and Pulldown Resistors per HDMI Specification
- Space Saving 24-Pin RKT Package and 24-TSSOP Package

2 Applications

- Cell Phones
- eBook
- Portable Media Players
- Set-top Box

3 Description

The TPD12S016 is a single-chip High Definition Multimedia Interface (HDMI) device with auto-direction sensing I²C voltage level shift buffers, a load switch, and integrated low capacitance high-speed electrostatic discharge (ESD) transient voltage suppression (TVS) protection diodes. A 55-mA current limited 5-V output (5V_OUT) sources the HDMI power line. The control of 5V_OUT and the hot plug detect (HPD) circuitry is independent of the LS_OE control signal, and is controlled by the CT_HPDP pin, which enables the detection scheme (5V_OUT and HPD) to be active before enabling the HDMI link. The SDA, SCL, and CEC lines pull up to V_{CCA} on the A side. On the B side, the CEC_B pin pulls up to an internal 3.3-V supply rail, SCL_B and SDA_B each pull up to the 5-V rail (5V_OUT). The SCL and SDA pins meet the I²C specification and drive up to 750 pF capacitive loads, exceeding the HDMI 1.4 specifications. The HPD_B port has a glitch filter to avoid false detection due to plug bouncing during the HDMI connector insertion. TPD12S016 offers reverse current blocking at the 5V_OUT pin. SCL_B, SDA_B, CEC_B pins also feature reverse-current blocking when the system is powered off.

Device Information⁽¹⁾

PART NUMBER	PACKAGE	BODY SIZE (NOM)
TPD12S016	QFN (24)	4.00 mm x 2.00 mm
	TSSOP (24)	7.80 mm x 6.40 mm

(1) For all available packages, see the orderable addendum at the end of the data sheet.

Simplified Schematic

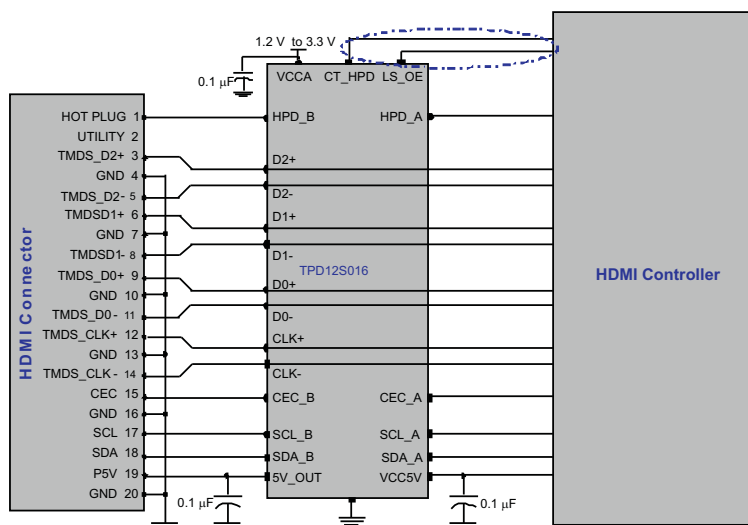


Table of Contents

1 Features 1 2 Applications 1 3 Description 1 4 Revision History 2 5 Pin Configuration and Functions 4 6 Specifications 5 6.1 Absolute Maximum Ratings 5 6.2 ESD Ratings 5 6.3 Recommended Operating Conditions 6 6.4 Thermal Information 6 6.5 Electrical Characteristics 7 6.6 Switching Characteristics 9 6.7 Typical Characteristics 12 7 Detailed Description 14 7.1 Overview 14 7.2 Functional Block Diagram 14	7.3 Feature Description 15 7.4 Device Functional Modes 17 8 Application and Implementation 18 8.1 Application Information 18 8.2 Typical Application 18 9 Power Supply Recommendations 21 10 Layout 21 10.1 Layout Guidelines 21 10.2 Layout Examples 21 11 Device and Documentation Support 23 11.1 Community Resources 23 11.2 Trademarks 23 11.3 Electrostatic Discharge Caution 23 11.4 Glossary 23 12 Mechanical, Packaging, and Orderable Information 23
---	---

4 Revision History

NOTE: Page numbers for previous revisions may differ from page numbers in the current version.

Changes from Revision E (December 2014) to Revision F	Page
• Added test condition frequency to capacitance	7
• Added test condition frequency to capacitance	8
• Added Community Resources	23

Changes from Revision D (August 2013) to Revision E	Page
• Added <i>Handling Ratings</i> table, <i>Feature Description</i> section, <i>Device Functional Modes</i> section, <i>Application and Implementation</i> section, <i>Power Supply Recommendations</i> section, <i>Layout</i> section, <i>Device and Documentation Support</i> section, and <i>Mechanical, Packaging, and Orderable Information</i> section.	1

Changes from Original (January 2013) to Revision A	Page
• Added Eye Diagram Using EVM Without TPD12S016 for the TMDS Lines at 1080p, 340MHz Pixel Clock, 3.4Gbps.....	19
• Added Eye Diagram Using EVM with TPD12S016 for the TMDS Lines at 1080p, 340MHz Pixel Clock, 3.4Gbps.....	19

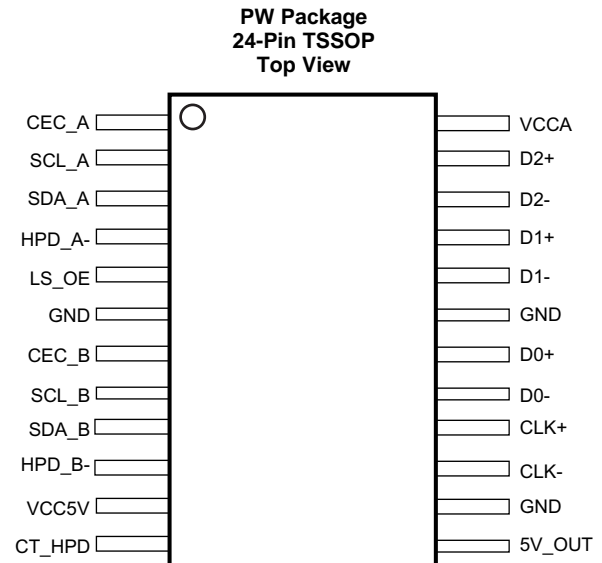
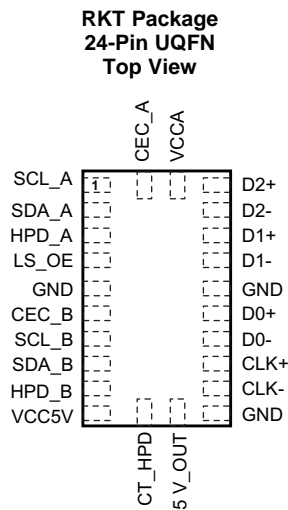
Changes from Revision A (February 2013) to Revision B	Page
• Added PW and RKT packages values for IO capacitance.....	7
• Added LOAD SWITCH $I_{LEAKAGE_REVERSE}$ vs V_{5V_OUT} graph.	12
• Updated Circuit Schematic Diagram.	14

Changes from Revision B (February 2013) to Revision C	Page
• Updated table formatting.	7

Changes from Revision C (August 2013) to Revision D**Page**

-
- Updated power savings options table..... [17](#)
-

5 Pin Configuration and Functions



Pin Functions

NAME	PIN		TYPE	DESCRIPTION
	RKT	PW		
D-, D+	16, 17, 19 to 22	17, 18, 20 to 23	IO	HDMI TMDS data. Connect to HDMI controller and HDMI connector directly
CLK+, CLK-	14, 15	15, 16	IO	HDMI TMDS clock. Connect to HDMI controller and HDMI connector directly
HPD_A	3	4	O	Hot plug detect output referenced to V _{CCA} . Connect to HDMI controller hot plug detect input pin
HPD_B	9	10	I	Hot plug detect input. Connect directly to HDMI connector hot plug detect pin
CEC_A	24	1	IO	HDMI controller side CEC signal pin referenced to V _{CCA} . Connect to HDMI controller
CEC_B	6	7	IO	HDMI connector side CEC signal pin referenced to internal 3.3-V supply. Connect to HDMI connector CEC pin
SCL_A	1	2	IO	HDMI controller side SCL signal pin referenced to V _{CCA} . Connect to HDMI controller
SCL_B	7	8	IO	HDMI connector side SCL signal pin referenced to 5V _{OUT} supply. Connect to HDMI connector SCL pin
SDA_A	2	3	IO	HDMI controller side SDA signal pin referenced to V _{CCA} . Connect to HDMI controller
SDA_B	8	9	IO	HDMI connector side SDA signal pin referenced to 5V _{OUT} supply. Connect to HDMI connector SDA pin
LS_OE	4	5	I	Disables the Level shifters when OE = L. The OE pin is referenced to V _{CCA}
CT_HPDP	11	12	I	Disables the load switch and HPD_B when CT_HPDP = L. The CT_HPDP is referenced to V _{CCA}
V _{CC5V}	10	11	PWR	Internal 5-V supply (input to the load switch)
V _{CCA}	23	24	PWR	Internal PCB low voltage supply (same as the HDMI controller chip supply)
5V _{OUT}	12	13	O	External 5-V supply (output of the load switch)
GND	5, 13, 18	6, 14, 19	GND	Connect to system ground plane

6 Specifications

6.1 Absolute Maximum Ratings

 over operating free-air temperature range (unless otherwise noted)⁽¹⁾

		MIN	MAX	UNIT	
V _{CCA}	Supply voltage	-0.3	4.0	V	
V _{CC5V}	Supply voltage	-0.3	6.0	V	
V _I	Input voltage ⁽¹⁾	SCL_A, SDA_A, CEC_A	-0.3	4.0	V
		SCL_B, SDA_B, CEC_B	-0.3	6.0	
		CT_HPDP, LS_OE	-0.3	4.0	
		D, CLK	-0.3	6.0	
V _O	Voltage applied to any output in the high-impedance or power-off state ⁽¹⁾	SCL_A, SDA_A, CEC_A, CT_HPDP, LS_OE	-0.3	4.0	V
		SCL_B, SDA_B, CEC_B	-0.3	6.0	
V _O	Voltage applied to any output in the high or low state ⁽¹⁾⁽²⁾	SCL_A, SDA_A, CEC_A, CT_HPDP, LS_OE	-0.3	V _{CCA} + 0.5	V
		SCL_B, SDA_B, CEC_B	-0.3	5V_OUT + 0.5	
I _{IK}	Input clamp current	V _I < 0	-50	mA	
I _{OK}	Output clamp current	V _O < 0	-50	mA	
	Continuous current through 5V_OUT, or GND		±100	mA	
T _{stg}	Storage temperature	-65	150	°C	

(1) The input and output voltage ratings may be exceeded if the input and output clamp-current ratings are observed.

(2) The package thermal impedance is calculated in accordance with JESD 51-7.

6.2 ESD Ratings

		VALUE	UNIT	
V _(ESD)	Electrostatic discharge	LS_OE, CT_HPDP, SCL_A, SDA_A, CEC_A, HPD_A, V _{CCA}	±2000	V
		Dx, CLKx, SCL_B, SDA_B, CEC_B, HPD_B, 5V_OUT	±15000	
		Charged-device model (CDM), per JEDEC specification JESD22-C101	±1000	
		IEC 61000-4-2 Contact Discharge	Dx, CLKx, SCL_B, SDA_B, CEC_B, HPD_B, 5V_OUT	

6.3 Recommended Operating Conditions

over recommended operating free-air temperature range (unless otherwise noted)

				MIN	NOM	MAX	UNIT
V _{CCA}	Supply voltage			1.1		3.6	V
V _{CC5V}	Supply voltage			4.5		5.5	V
V _{IH}	High-level input voltage	SCL_A, SDA_A	V _{CCA} = 1.1 V to 3.6 V	0.7 × V _{CCA}		V _{CCA}	V
		CEC_A	V _{CCA} = 1.1 V to 3.6 V	0.7 × V _{CCA}		V _{CCA}	V
		CT_HPDP, LS_OE	V _{CCA} = 1.1 V to 3.6 V	1.0		V _{CCA}	V
		SCL_B, SDA_B	5V_OUT = 5.0 V	0.7 × 5V_OUT		5V_OUT	V
		CEC_B	5V_OUT = 5.0 V	0.7 × V _{3P3} ⁽¹⁾		V _{3P3}	
		HPD_B	5V_OUT = 5.0 V	2.0		5V_OUT	
V _{IL}	Low-level input voltage	SCL_A, SDA_A	V _{CCA} = 1.1 V to 3.6 V	−0.5		0.082 × V _{CCA}	V
		CEC_A	V _{CCA} = 1.1 V to 3.6 V	−0.5		0.082 × V _{CCA}	V
		CT_HPDP, LS_OE	V _{CCA} = 1.1 V to 3.6 V	−0.5		0.4	V
		SCL_B, SDA_B	5V_OUT = 5.0 V	−0.5		0.3 × 5V_OUT	V
		CEC_B	5V_OUT = 5.0 V	−0.5		0.3 × V _{3P3}	V
		HPD_B	5V_OUT = 5.0 V	0		0.8	V
V _{ILC}	(contention) Low-level input voltage	SCL_A, SDA_A, CEC_A	V _{CCA} = 1.1 V to 3.6 V	−0.5		0.065 × V _{CCA}	V
V _{OL} - V _{ILC}	Delta between V _{OL} and V _{ILC}	SCL_A, SDA_A, CEC_A	V _{CCA} = 1.1 V to 3.6 V		0.1 × V _{CCA}		mV
T _A	Operating free-air temperature			−40		85	°C

(1) The V_{3P3} is an internal 3.3V power supply node. The V_{3P3} is generated from the 5V supply pin through the on-chip LDO.

6.4 Thermal Information

THERMAL METRIC ⁽¹⁾		TPD12S016		UNIT
		RKT (UQFN)	PW (TSSOP)	
		24 PINS	24 PINS	
R _{θJA}	Junction-to-ambient thermal resistance	77.9	88.9	°C/W
R _{θJC(top)}	Junction-to-case (top) thermal resistance	24.0	26.5	°C/W
R _{θJB}	Junction-to-board thermal resistance	29.3	43.5	°C/W
ψ _{JT}	Junction-to-top characterization parameter	0.5	1.1	°C/W
ψ _{JB}	Junction-to-board characterization parameter	29.3	43.0	°C/W

(1) For more information about traditional and new thermal metrics, see the *Semiconductor and IC Package Thermal Metrics* application report, [SPRA953](#).

6.5 Electrical Characteristics

over operating free-air temperature range (unless otherwise noted)

PARAMETER		TEST CONDITIONS		MIN	TYP	MAX	UNIT
HIGH SPEED ESD LINES: Dx, CLKx							
I_{IO}	Current through ESD clamp ports	$V_{CCA} = 3.3\text{ V}$, $V_{CC5V} = 5.0\text{ V}$, $V_{IO} = 3.3\text{ V}$	D, CLK		0.01	0.5	μA
V_{DL}	Diode forward voltage	$I_D = 8\text{ mA}$	Lower clamp diode		0.8	1.0	V
R_{DYN}	Dynamic resistance	$I = 1\text{ A}$	D, CLK		1		Ω
C_{IO}	IO capacitance	PW Package	D, CLK		1.0		μF
		RKT Package					
ΔC_{IO_TMDS}	Differential capacitance for the Dx+, Dx- lines	$V_{CC} = 5\text{ V}$, $V_{IO} = 2.5\text{ V}$ $f = 1\text{ MHz}$	D, CLK		0.05		μF
V_{BR}	Break-down voltage	$I_{IO} = 1\text{ mA}$		6.5		9	V
LOAD SWITCH V_{CC5V}, 5V_OUT							
I_{CC5V}	Supply current at V_{CC5V}	$V_{CC5V} = 5\text{ V}$, 5V_OUT = Open, LS_OE = GND, CT_HPD = GND			1	45	μA
	Supply current at V_{CC5V}	$V_{CC5V} = 5\text{ V}$, 5V_OUT = Open, LS_OE = GND, CT_HPD = 3.3 V			4	50	μA
I_{SC}	Short circuit current at 5V_OUT	$V_{CC5V} = 5\text{ V}$, 5V_OUT = GND		100	150	200	mA
V_{DROP}	5V_OUT output voltage drop	$V_{CC5V} = 5\text{ V}$, $I_{5V_OUT} = 55\text{ mA}$			35	50	mV
T_{ON}	Turn on time, V_{CC5V} to 5V_OUT	$C_{LOAD} = 0.1\text{ }\mu\text{F}$, $R_{LOAD} = 500\text{ }\Omega$			77		μs
T_{OFF}	Turn off time, V_{CC5V} to 5V_OUT	$C_{LOAD} = 0.1\text{ }\mu\text{F}$, $R_{LOAD} = 500\text{ }\Omega$			7.0		μs
T_{SHUT}	Thermal Shutdown	Shutdown threshold, TRIP ⁽¹⁾			140		$^{\circ}\text{C}$
		HYST ⁽²⁾			12		
VOLTAGE LEVEL SHIFTER – SCL, SDA LINES (x_A AND x_B PORTS)							
V_{OHA}		$I_{OH} = -20\text{ }\mu\text{A}$	$V_I = V_{IH}$	$V_{CCA} = 1.1\text{ V}$ to 3.6 V	$V_{CCA} \times 0.80$		V
V_{OLA}		$I_{OL} = 20\text{ }\mu\text{A}$	$V_I = V_{IL}$	$V_{CCA} = 1.1\text{ V}$ to 3.6 V	$V_{CCA} \times 0.17$		V
V_{OHB}		$I_{OH} = -20\text{ }\mu\text{A}$	$V_I = V_{IH}$		$5V_{OUT} \times 0.90$		V
V_{OLB}		$I_{OL} = 3\text{ mA}$	$V_I = V_{IL}$			0.4	V
ΔV_T	Hysteresis at the SDx_A ($V_{T+} - V_{T-}$)	$V_{CCA} = 1.1\text{ V}$ to 3.6 V			40		mV
ΔV_T	Hysteresis at the SDx_B ($V_{T+} - V_{T-}$)	$V_{CCA} = 1.1\text{ V}$ to 3.6 V			400		mV
R_{PU}	(Internal pullup)	SCL_A, SDA_A	Pull-up connected to V_{CCA} rail		10		k Ω
		SCL_B, SDA_B	Pull-up connected to 5-V rail		1.75		
$I_{PULLUPAC}$	Transient boosted pullup current (rise-time accelerator)	SCL_B, SDA_B	Pull-up connected to 5-V rail		15		mA
I_{off}	A port	$V_{CCA} = 0\text{ V}$, V_I or $V_O = 0$ to 3.6 V		$V_{CCA} = 0\text{ V}$		± 5	μA
	B port	$5V_{OUT} = 0\text{ V}$, V_I or $V_O = 0$ to 5.5 V		$V_{CCA} = 0\text{ V}$ to 3.6 V		± 5	
I_{OZ}	B port	$V_O = V_{CCO}$ or GND		$V_{CCA} = 1.1\text{ V}$ to 3.6 V		± 5	μA
	A port	$V_I = V_{CCI}$ or GND		$V_{CCA} = 1.1\text{ V}$ to 3.6 V		± 5	

(1) The TPD12S016 turns off after the device temperature reaches the TRIP temperature.

(2) After the thermal shut-down circuit turns off the load switch, the switch turns on again after the device junction temperature cools down to a temperature equals to or less than TRIP-HYST.

Electrical Characteristics (continued)

over operating free-air temperature range (unless otherwise noted)

PARAMETER		TEST CONDITIONS		MIN	TYP	MAX	UNIT
VOLTAGE LEVEL SHIFTER – CEC LINE (x_A AND x_B PORTS)							
V_{OHA}		$I_{OH} = -20 \mu A$	$V_I = V_{IH}$	$V_{CCA} = 1.1 V$ to 3.6 V	$V_{CCA} \times 0.80$		V
V_{OLA}		$I_{OL} = 20 \mu A$	$V_I = V_{IL}$	$V_{CCA} = 1.1 V$ to 3.6 V	$V_{CCA} \times 0.17$		V
V_{OHB}		$I_{OH} = -20 \mu A$	$V_I = V_{IH}$		$V_{3P3} \times 0.80$		V
V_{OLB}		$I_{OL} = 3 mA$	$V_I = V_{IL}$			0.4	V
ΔV_T	Hysteresis at the Sxx_A ($V_{T+} - V_{T-}$)	$V_{CCA} = 1.1 V$ to 3.6 V			40		mV
ΔV_T	Hysteresis at the Sxx_B ($V_{T+} - V_{T-}$)	$V_{CCA} = 1.1 V$ to 3.6 V			300		mV
R_{PU}	(Internal pullup)	CEC_A	Pull-up connected to V_{CCA} rail		10		k Ω
		CEC_B	Pull-up connected to 3.3 V rail		22	26 30	
I_{off}	A port	$V_{CCA} = 0 V$, V_I or $V_O = 0$ to 3.6 V		$V_{CCA} = 0 V$		± 5	μA
	B port	$5V_{OUT} = 0 V$, V_I or $V_O = 0$ to 5.5 V		$V_{CCA} = 0 V$ to 3.6 V		± 1.8	
I_{OZ}	B port	$V_O = V_{CCO}$ or GND		$V_{CCA} = 1.1 V$ to 3.6 V		± 5	μA
	A port	$V_I = V_{CCI}$ or GND		$V_{CCA} = 1.1 V$ to 3.6 V		± 5	
VOLTAGE LEVEL SHIFTER – HPD LINE (x_A AND x_B PORTS)							
V_{OHA}		$I_{OH} = -3 mA$	$V_I = V_{IH}$	$V_{CCA} = 1.1 V$ to 3.6 V	$V_{CCA} \times 0.07$		V
V_{OLA}		$I_{OL} = 3 mA$	$V_I = V_{IL}$	$V_{CCA} = 1.1 V$ to 3.6 V		0.4	V
ΔV_T	Hysteresis ($V_{T+} - V_{T-}$)	$V_{CCA} = 1.1 V$ to 3.6 V			400		mV
R_{PD}	(Internal pulldown resistor)	HPD_B	Pull-down connected to GND		11		k Ω
I_{off}	A port	$V_O = V_{CCO}$ or GND		$V_{CCA} = 0 V$		± 5	μA
I_{OZ}	A port	$V_I = V_{CCO}$ or GND		$V_{CCA} = 3.6 V$		± 5	μA
LS_OE, CT_CP_HPD							
I_i		$V_I = V_{CCA}$ or GND	$V_{CCA} = 1.1 V$ to 3.6 V			± 12	μA
I/O CAPACITANCES							
C_i	Control inputs	$V_I = 1.89 V$ or GND	$V_{CCA} = 1.1$ to 3.6 V; $f = 1$ MHz		7.1		pF
C_{iO}	A port	$V_O = 1.89 V$ or GND	$V_{CCA} = 1.1$ to 3.6 V; $f = 1$ MHz		8.3		pF
	B port	$V_O = 5.0 V$ or GND	$V_{5V_{OUT}} = 5.0 V$; $f = 1$ MHz		15		pF

6.6 Switching Characteristics

over operating free-air temperature range (unless otherwise noted)

PARAMETER		PINS	TEST CONDITIONS	MIN	TYP	MAX	UNIT	
C _L	Bus load capacitance (B side)					750	pF	
	Bus load capacitance (A side)					15		
VOLTAGE LEVEL SHIFTER – SCL, SDA LINES (x_A And x_B PORTS) V_{CCA} = 1.2 V								
t _{PHL}	Propagation delay	A to B	SCL/SDA channels enabled		310		ns	
		B to A			420			
t _{PLH}	Propagation delay	A to B			510		ns	
		B to A			427			
t _{FALL}	A Port fall time	A-Port			334		ns	
	B Port fall time	B-Port			225			
t _{RISE}	A Port rise time	A-Port			315		ns	
	B Port rise time	B-Port			415			
F _(MAX)	Maximum switching frequency				400			kHz
VOLTAGE LEVEL SHIFTER – CEC LINES (x_A AND x_B PORTS) V_{CCA} = 1.2 V								
t _{PHL}	Propagation delay	A to B	CEC channel enabled		385		ns	
		B to A			526			
t _{PLH}	Propagation delay	A to B			13.8		μs	
		B to A			16.6			
t _{FALL}	A Port fall time	A-Port			334		ns	
	B Port fall time	B-Port			170			
t _{RISE}	A Port rise time	A-Port			315		ns	
	B Port rise time	B-Port			28			μs
VOLTAGE LEVEL SHIFTER – HPD LINES (x_A AND x_B PORTS) V_{CCA} = 1.2 V								
t _{PHL}	Propagation delay	B to A		HPD channel enabled		14.4		μs
t _{PLH}	Propagation delay	B to A			9.2		μs	
t _{FALL}	A Port fall time	A-Port			2.1		ns	
t _{RISE}	A Port rise time	A-Port			2.1		ns	
VOLTAGE LEVEL SHIFTER – SCL, SDA LINES (x_A AND x_B PORTS) V_{CCA} = 1.5 V								
t _{PHL}	Propagation delay	A to B	SCL/SDA channels enabled		310		ns	
		B to A			420			
t _{PLH}	Propagation delay	A to B			410		ns	
		B to A			425			
t _{FALL}	A Port fall time	A-Port			250		ns	
	B Port fall time	B-Port			225			
t _{RISE}	A Port rise time	A-Port			315		ns	
	B Port fall time	B-Port			415			
F _(MAX)	Maximum switching frequency				400			kHz
VOLTAGE LEVEL SHIFTER – CEC LINES (x_A AND x_B PORTS) V_{CCA} = 1.5 V								
t _{PHL}	Propagation delay	A to B	CEC channel enabled		380		ns	
		B to A			420			
t _{PLH}	Propagation delay	A to B			13.8		μs	
		B to A			16.6			
t _{FALL}	A Port fall time	A-Port			250		ns	
	B Port fall time	B-Port			170			
t _{RISE}	A Port rise time	A-Port			315		ns	
	B Port rise time	B-Port			28			μs

Switching Characteristics (continued)

over operating free-air temperature range (unless otherwise noted)

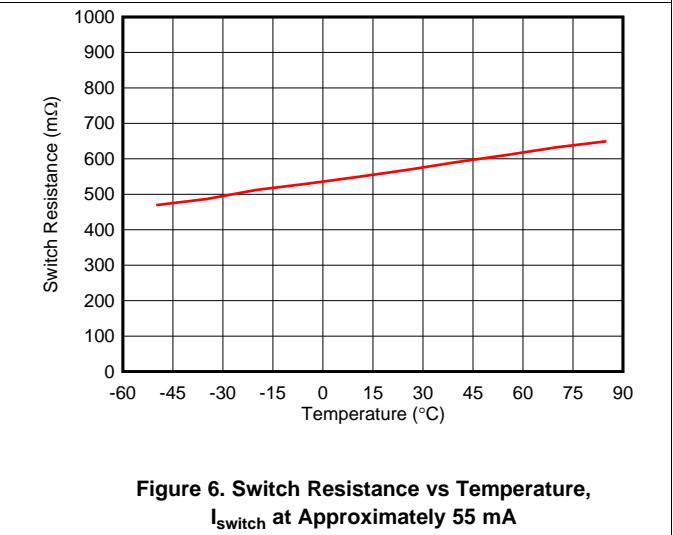
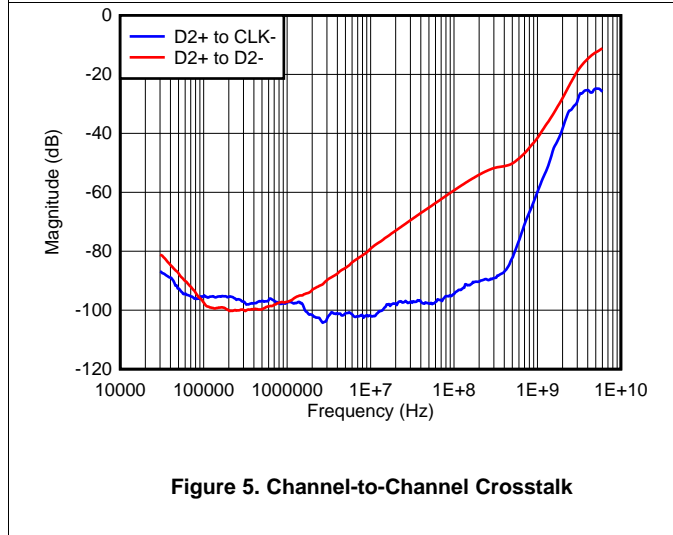
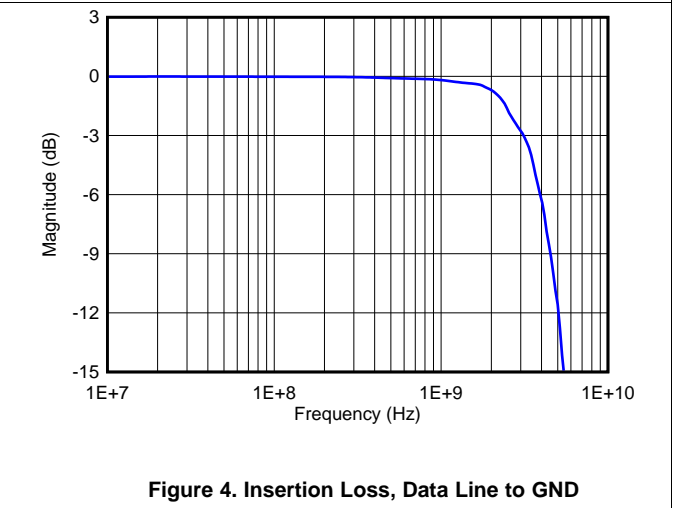
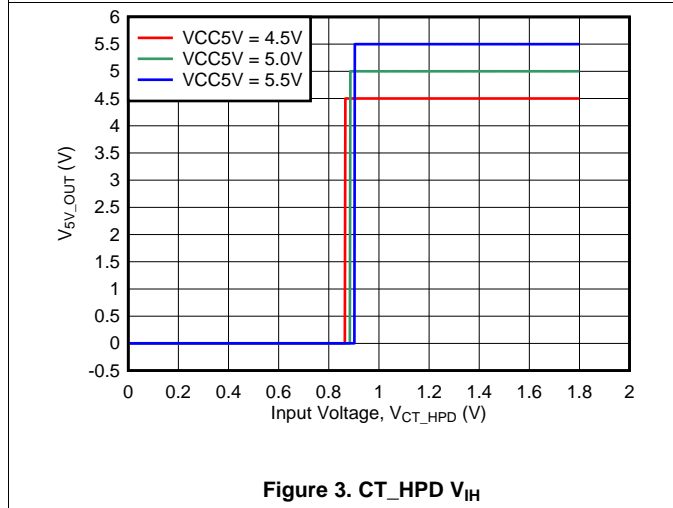
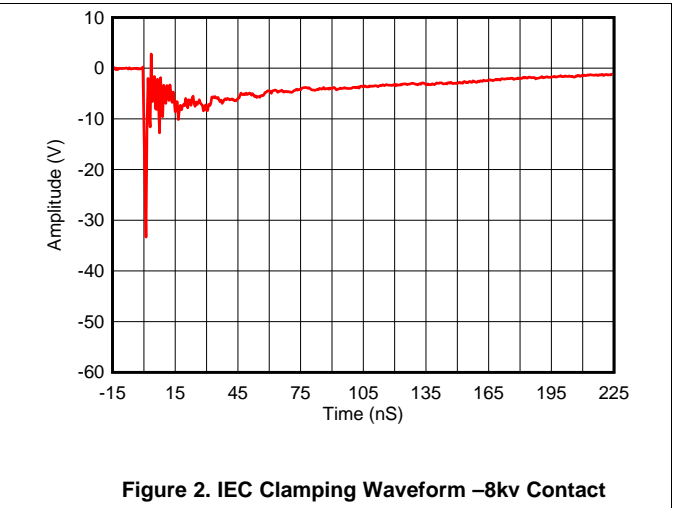
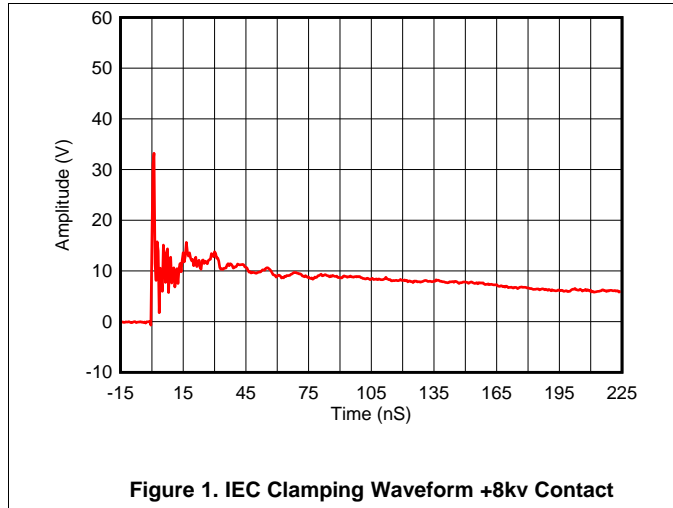
PARAMETER		PINS	TEST CONDITIONS	MIN	TYP	MAX	UNIT
VOLTAGE LEVEL SHIFTER – HPD LINES (x_A AND x_B PORTS) V_{CCA} = 1.5 V							
t _{PHL}	Propagation delay	B to A	HPD channel enabled		14.4		μs
t _{PLH}	Propagation delay	B to A			9.2		μs
t _{FALL}	A Port fall time	A-Port			1.8		ns
t _{RISE}	A Port rise time	A-Port			1.8		ns
VOLTAGE LEVEL SHIFTER – SCL, SDA LINES (x_A AND x_B PORTS) V_{CCA} = 1.8 V							
t _{PHL}	Propagation delay	A to B	SCL/SDA channels enabled		300		ns
		B to A			350		ns
t _{PLH}	Propagation delay	A to B			400		ns
		B to A			420		ns
t _{FALL}	A Port fall time	A-Port			210		ns
	B Port fall time	B-Port			225		ns
t _{RISE}	A Port rise time	A-Port			315		ns
	B Port rise time	B-Port			415		ns
F _(MAX)	Maximum switching frequency			400			kHz
VOLTAGE LEVEL SHIFTER – CEC LINES (x_A AND x_B PORTS) V_{CCA} = 1.8 V							
t _{PHL}	Propagation delay	A to B	CEC channel enabled		375		ns
		B to A			366		
t _{PLH}	Propagation delay	A to B			13.8		μs
		B to A			16.6		ns
t _{FALL}	A Port fall time	A-Port			210		ns
	B Port fall time	B-Port			170		
t _{RISE}	A Port rise time	A-Port			315		ns
	B Port rise time	B-Port			28		μs
VOLTAGE LEVEL SHIFTER – HPD LINES (x_A AND x_B PORTS) V_{CCA} = 1.8 V							
t _{PHL}	Propagation delay	B to A	HPD channels enabled		14.2		μs
t _{PLH}	Propagation delay	B to A			9.2		μs
t _{FALL}	A Port fall time	A-Port			1.5		ns
t _{RISE}	A Port rise time	A-Port			1.5		ns
VOLTAGE LEVEL SHIFTER – SCL, SDA LINES (x_A AND x_B PORTS) V_{CCA} = 2.5 V							
t _{PHL}	Propagation delay	A to B	SCL/SDA channels enabled		300		ns
		B to A			400		
t _{PLH}	Propagation delay	A to B			290		ns
		B to A			420		
t _{FALL}	A Port fall time	A-Port			170		kHz
	B Port fall time	B-Port			225		
t _{RISE}	A Port rise time	A-Port			315		ns
	B Port rise time	B-Port			415		
F _(MAX)	Maximum switching frequency			400			kHz

Switching Characteristics (continued)

over operating free-air temperature range (unless otherwise noted)

PARAMETER		PINS	TEST CONDITIONS	MIN	TYP	MAX	UNIT	
VOLTAGE LEVEL SHIFTER – CEC LINES (x_A AND x_B PORTS) V_{CCA} = 2.5 V								
t _{PHL}	Propagation delay	A to B	CEC channel enabled	375		ns		
		B to A		305				
t _{PLH}	Propagation delay	A to B		13.8		μs		
		B to A		16.6		ns		
t _{FALL}	A Port fall time	A-Port		170		ns		
	B Port fall time	B-Port		170				
t _{RISE}	A Port rise time	A-Port		315		ns		
	B Port rise time	B-Port		28		μs		
VOLTAGE LEVEL SHIFTER – HPD LINES (x_A AND x_B PORTS) V_{CCA} = 2.5 V								
t _{PHL}	Propagation delay	B to A		HPD channel enabled	14.2		μs	
t _{PLH}	Propagation delay	B to A	9.2		μs			
t _{FALL}	A Port fall time	A-Port	1.2		ns			
t _{RISE}	A Port rise time	A-Port	1.2		ns			
VOLTAGE LEVEL SHIFTER – SCL, SDA LINES (x_A AND x_B PORTS) V_{CCA} = 3.3 V								
t _{PHL}	Propagation delay	A to B	SCL/SDA channels enabled	300		ns		
		B to A		400				
t _{PLH}	Propagation delay	A to B		260		ns		
		B to A		415				
t _{FALL}	A Port fall time	A-Port		160		ns		
	B Port fall time	B-Port		225				
t _{RISE}	A Port rise time	A-Port		305		ns		
	B Port fall time	B-Port		415				
F _(MAX)	Maximum switching frequency				400			kHz
VOLTAGE LEVEL SHIFTER – CEC LINES (x_A AND x_B PORTS) V_{CCA} = 3.3V								
t _{PHL}	Propagation delay	A to B	CEC channel enabled	375		ns		
		B to A		305				
t _{PLH}	Propagation delay	A to B		13.8		μs		
		B to A		16.6		ns		
t _{FALL}	A Port fall time	A-Port		160		ns		
	B Port fall time	B-Port		170				
t _{RISE}	A Port rise time	A-Port		305		ns		
	B Port rise time	B-Port		28		μs		
VOLTAGE LEVEL SHIFTER – HPD LINES (x_A AND x_B PORTS) V_{CCA} = 3.3 V								
t _{PHL}	Propagation delay	B to A		HPD channel enabled	14.2		μs	
t _{PLH}	Propagation delay	B to A	9.2		μs			
t _{FALL}	A Port fall time	A-Port	1.1		ns			
t _{RISE}	A Port rise time	A-Port	1.1		ns			

6.7 Typical Characteristics



Typical Characteristics (continued)

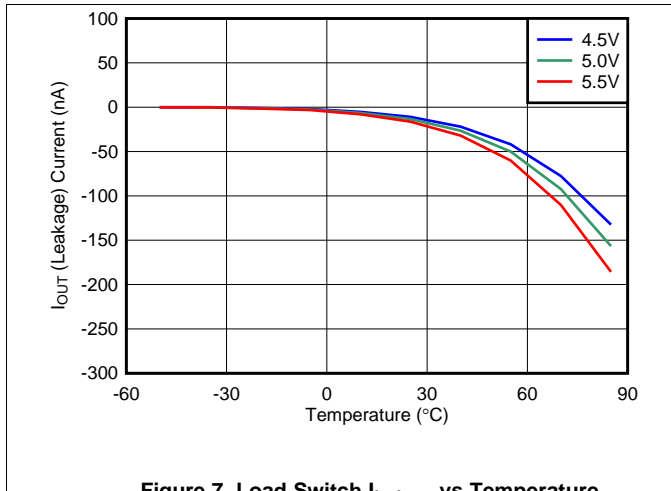


Figure 7. Load Switch $I_{leakage}$ vs Temperature

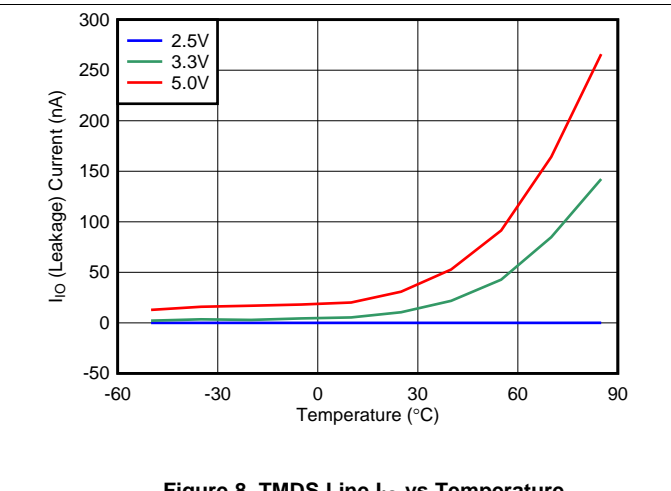


Figure 8. TMD5 Line I_O vs Temperature

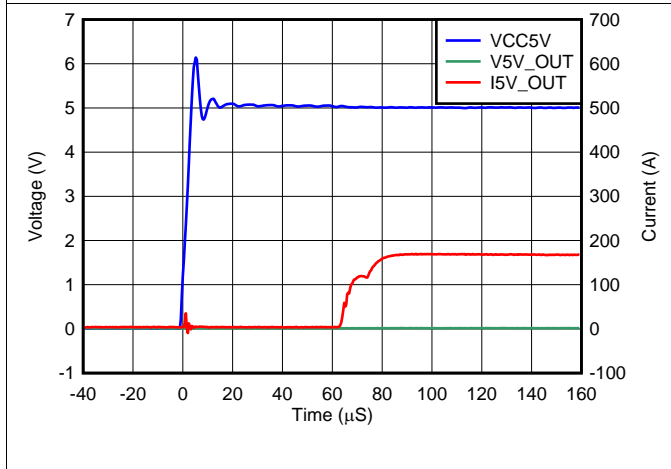


Figure 9. Short-Circuit Response Time (Powered-Up to Short)

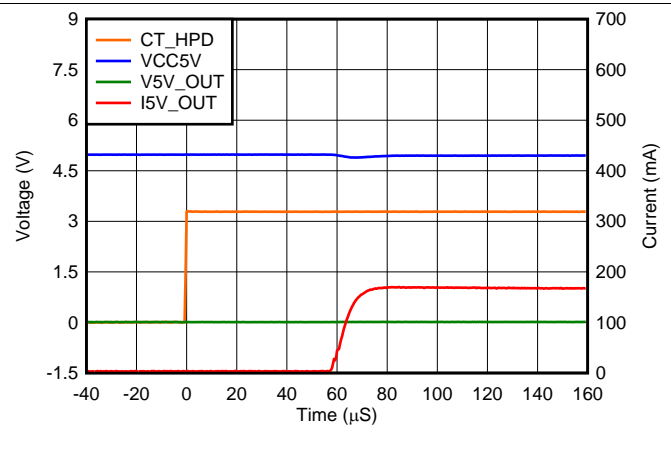


Figure 10. Current Limit Response Time (Switch Enabled to Short)

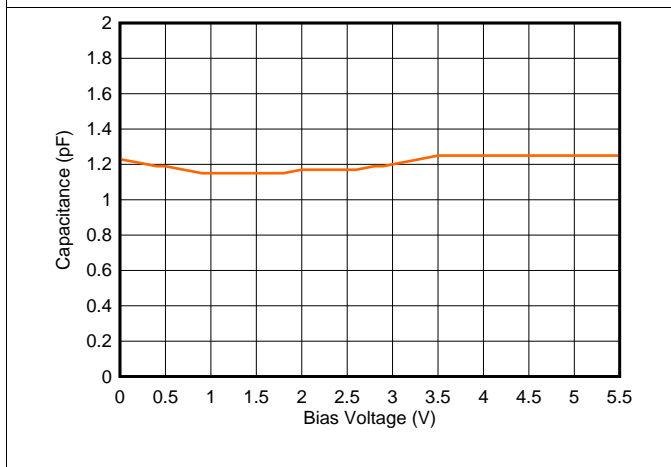


Figure 11. Capacitance vs Bias Voltage

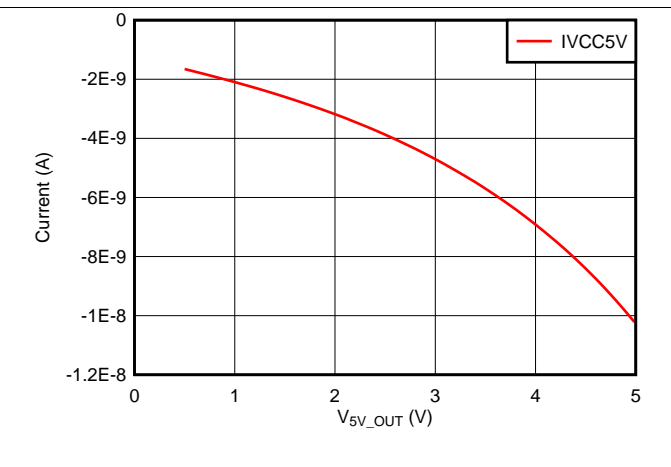


Figure 12. Load Switch $I_{LEAKAGE_REVERSE}$ vs V_{5V_OUT}

7 Detailed Description

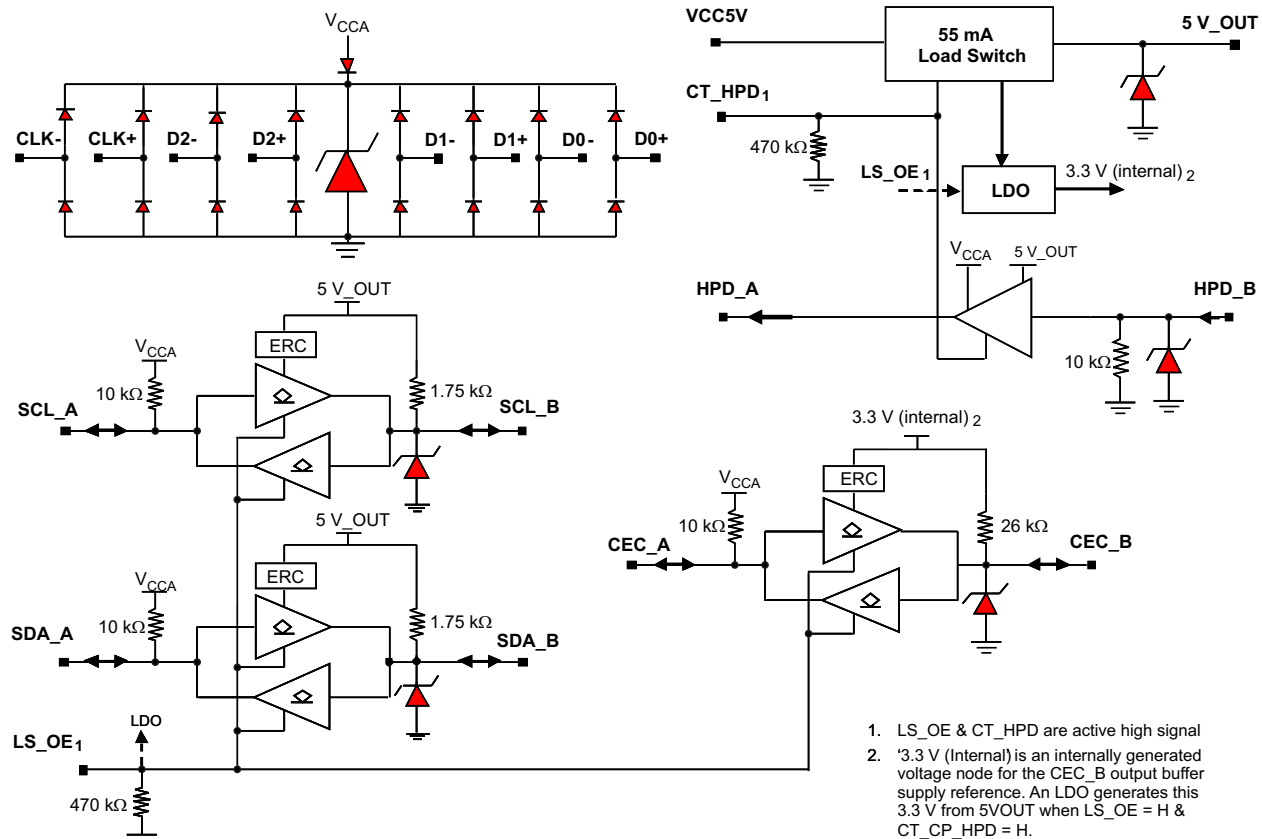
7.1 Overview

The TPD12S016 is a single-chip HDMI interface device with auto-direction sensing I²C voltage level shifting buffers, a load switch, and integrated high-speed ESD protection clamps. The device pin mapping matches the HDMI connector with four differential pairs and control lines. This device offers eight low-capacitance ESD clamps, allowing HDMI 1.4 data rates. The integrated ESD circuits provides matching between each differential signal pair, which allows an advantage over discrete ESD solutions where variations between ESD protection clamps degrade the differential signal quality. The TPD12S016 provides a current limited 5-V output (5V_OUT) for sourcing the HDMI power line. The current limited 5-V output supplies up to 55 mA to the HDMI receiver. The control of 5V_OUT and the hot plug detect (HPD) circuitry is independent of the LS_OE control signal, and is controlled by the CT_HPDP pin. This independent CT_HPDP control enables the detection scheme (5V_OUT and HPD) to be active before enabling the HDMI link. An internal 3.3 V node powers the CEC pin eliminating the need for a 3.3 V supply on board.

The TPD12S016 integrates all the external termination resistors at the HPD, CEC, SCL, and SDA lines. There are three non-inverting bidirectional voltage level translation (VLT) circuits for the SDA, SCL, and CEC lines. Each have a common power rail (V_{CCA}) on the A side from 1.1 V to 3.6V. On the B side, the SCL_B and SDA_B each have an internal 1.75 kΩ pull up connected to the 5-V rail (5V_OUT). The SCL and SDA pins meet the I²C specification and drive up to 750-pF capacitive loads exceeding the HDMI 1.4 specifications. The CEC_B pin has an internal 27-kΩ pull up resistor to the internal 3.3-V supply rail. The HPD_B port has a glitch filter to avoid false detection due to plug bouncing during the HDMI connector insertion.

The TPD12S016 offers a reverse current blocking feature at the 5V_OUT pin. In the fault conditions, such as when two HDMI transmitters connect to the same HDMI cable, the TPD12S016 ensures that the system is safe from powering up through an external HDMI transmitter. The SCL_B, SDA_B, CEC_B pins also feature reverse-current blocking when the system is powered off.

7.2 Functional Block Diagram



7.3 Feature Description

7.3.1 Conforms to HDMI Compliance Tests Without any External Components

The TPD12S016 has integrated pullup or pulldown resistors on the DDC, CEC, and HPD lines that conform to the HDMI 7.13 and 7.15 Compliance Tests without the designer needing to use any external components to TPD12S016.

7.3.2 IEC 61000-4-2 ESD Protection

In many cases, the core ICs, such as the scalar chipset, may not have robust ESD cells to sustain system-level ESD strikes. In these cases, the TPD12S016 provides the desired system-level ESD protection, such as the IEC 61000-4-2 Level 4 ESD protection of ± 8 -kV Contact rating by absorbing the energy associated with the ESD strike.

7.3.3 Supports HDMI 1.4 Data Rate

The high-speed TMDS pins of the TPD12S016 add only 1.0-pF (for PW package) or 1.2-pF (for RKT package) of capacitance to the TMDS lines. An Insertion Loss -3 dB point that is greater than 3 GHz provides enough bandwidth to pass HDMI 1.4 TMDS data rates.

7.3.4 Matches Class D and Class C Pin Mapping

The PW and RKT packages offer seamless layout routing options to eliminate the routing glitch for the differential signal pairs. The pin mapping follows the same order as the HDMI connector pin mapping.

7.3.5 8-Channel ESD Lines for Four Differential Pairs with Ultra-low Differential Capacitance Matching (0.05 pF)

Excellent intra-pair capacitance matching of 0.05 pF provides ultra low intra-pair skew, which allows an advantage over discrete ESD solutions where variations between ESD protection clamps can degrade the differential signal quality.

7.3.6 On-Chip Load Switch With 55-mA Current Limit Feature at the HDMI 5V_OUT Pin

The TPD12S016 provides a current limited 5-V output (5V_OUT) for sourcing the HDMI power line. The current limited 5-V output supplies up to 55 mA to the HDMI receiver. The control of 5V_OUT and the HPD circuitry is independent of the LS_OE control signal, and is controlled by the CT_HPDP pin. This independent CT_HPDP control enables the detection scheme (5V_OUT and HPD) to be active before enabling the HDMI link.

7.3.7 Auto-direction Sensing I²C Level Shifter With One-Shot Circuit to Drive a Long HDMI Cable (750-pF Load)

The TPD12S016 contains three bidirectional open-drain buffers specifically designed to support up-translation/down-translation between the low voltage, V_{CCA} side DDC-bus and the 5-V DDC-bus or 3.3-V CEC line. The HDMI cable side of the DDC lines incorporates rise-time accelerators to support a high capacitive load on the HDMI cable side. The rise time accelerators boost the cable side DDC signal independent of which side of the bus is releasing the signal.

7.3.8 Back-Drive Protection on HDMI Connector Side Ports

The TPD12S016 offers a reverse current blocking feature at the 5V_OUT pin. In fault conditions, such as when two HDMI transmitters connect to the same HDMI cable, the TPD12S016 ensures that the system is safe from powering up through an external HDMI transmitter. The SCL_B, SDA_B, CEC_B pins also feature reverse-current blocking when the system is powered off.

7.3.9 Integrated Pullup and Pulldown Resistors per HDMI Specification

The system is designed to work properly according to the HDMI 1.4 specification with no external pullup resistors on the DDC, CEC, and HPD lines.

Feature Description (continued)

7.3.10 Space Saving 24-Pin RKT Package and 24-TSSOP Package

When compared to discrete ESD solutions, the fully integrated port protection offered by TPD12S016 reduces the overall area required to fully protect an HDMI transmitter port.

7.3.11 DDC/CEC LEVEL SHIFT Circuit Operation

The TPD12S016 enables DDC translation from V_{CCA} (system side) voltage levels to 5-V (HDMI cable side) voltage levels without degradation of system performance. The TPD12S016 contains two bidirectional open-drain buffers specifically designed to support up-translation/down-translation between the low voltage, V_{CCA} side DDC-bus and the 5-V DDC-bus. The port B I/Os are over-voltage tolerant to 5.5 V, even when the device is unpowered. After power-up and with the LS_OE and CT_HPDI pins HIGH, a LOW level on port A (below approximately $V_{ILC} = 0.08 \times V_{CCA}$ V) turns the corresponding port B driver (either SDA or SCL) on and drives port B down to V_{OLB} V. When port A rises above approximately $0.10 \times V_{CCA}$ V, the port B pulldown driver is turned off and the internal pullup resistor pulls the pin HIGH. When port B falls first and goes below 0.3×5 VOUT V, a CMOS hysteresis input buffer detects the falling edge, turns on the port A driver, and pulls port A down to approximately $V_{OLA} = 0.16 \times V_{CCA}$ V. The port B pulldown is not enabled unless the port A voltage goes below V_{ILC} . If the port A low voltage goes below V_{ILC} , the port B pulldown driver is enabled until port A rises above $(V_{ILC} + \Delta V_{T-HYSTA})$, then port B, if not externally driven LOW, will continue to rise being pulled up by the internal pullup resistor.

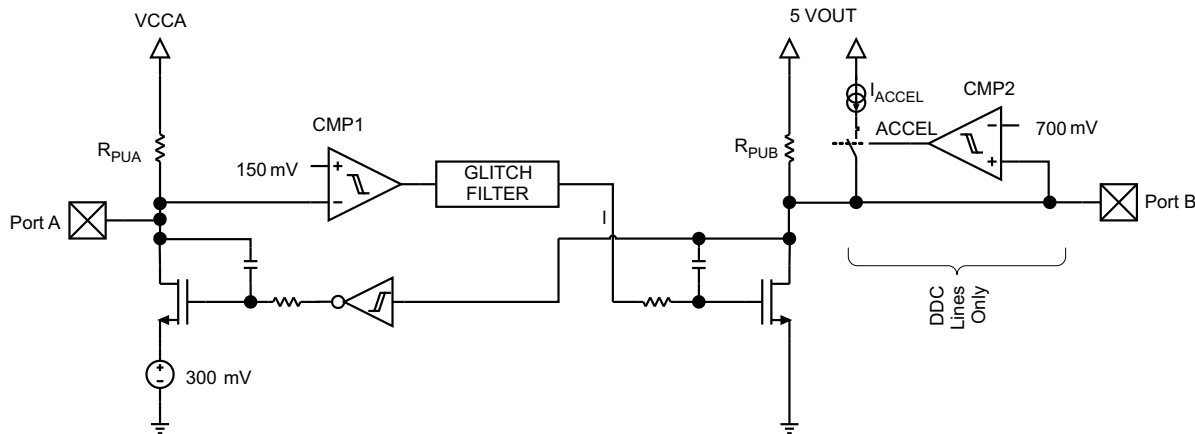


Figure 13. DDC/CEC Level Shifter Block Diagram

7.3.12 DDC/CEC Level Shifter Operational Notes For $V_{CCA} = 1.8$ V

- The threshold of CMP1 (see Figure 13) is approximately 150 mV \pm the 40 mV of total hysteresis.
- The comparator will trip for a falling waveform at approximately 130 mV.
- The comparator will trip for a rising waveform at approximately 170 mV.
- To be recognized as a zero, the level at Port A must first go below 130 mV (V_{ILC} in spec) and then stay below 170 mV (V_{ILA} in spec).
- To be recognized as a one, the level at A must first go above 170 mV and then stay above 130 mV.
- V_{ILC} is set to 117 mV in Electrical Characteristics Table to give some margin to the 130 mV.
- V_{ILA} is set to 148 mV in the [Electrical Characteristics](#) table to give some margin to the 170 mV.
- V_{IHA} is set to 70% of V_{CCA} to be consistent with standard CMOS levels.

Feature Description (continued)

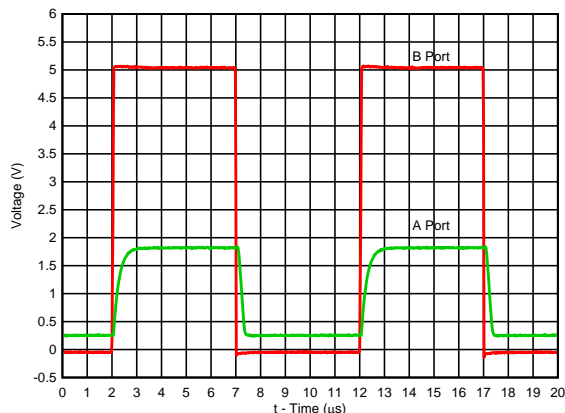


Figure 14. DDC Level Shifter Operation (B To A Direction)

7.3.13 Rise-Time Accelerators

The HDMI cable side of the DDC lines incorporates rise-time accelerators to support high capacitive load (up to 750 pF) on the HDMI cable side. The rise time accelerators boost the cable side DDC signal independent of which side of the bus is releasing the signal.

7.3.14 Noise Considerations

Ground offset between the TPD12S016 ground and the ground of devices on port A of the TPD12S016 must be avoided. The reason for this cautionary remark is that a CMOS/NMOS open-drain capable of sinking 3 mA of current at 0.4 V will have an output resistance of 133 Ω or less ($R = E / I$). Such a driver will share enough current with the port A output pulldown of the TPD12S016 to be seen as a LOW as long as the ground offset is zero. If the ground offset is greater than 0 V, then the driver resistance must be less. Since V_{ILC} can be as low as 90 mV at cold temperatures and the low end of the current distribution, the maximum ground offset should not exceed 50 mV. Bus repeaters that use an output offset are not interoperable with the port A of the TPD12S016 as their output LOW levels will not be recognized by the TPD12S016 as a LOW. If the TPD12S016 is placed in an application where the V_{IL} of port A of the TPD12S016 does not go below its V_{ILC} it will pull port B LOW initially when port A input transitions LOW but the port B will return HIGH, so it will not reproduce the port A input on port B. Such applications should be avoided. Port B is interoperable with all I²C-bus slaves, masters and repeaters.

7.3.15 Resistor Pullup Value Selection

The system is designed to work properly with no external pullup resistors on the DDC, CEC, and HPD lines.

7.4 Device Functional Modes

The LS_OE and CT_HPDP are active-high enable pins. They control the TPD12S016 power saving options according to Table 1.

Table 1. Power Saving Options⁽¹⁾

LS_OE	CT_HPDP	V _{CCA}	V _{CC5V}	A-SIDE PULL-UPS	DDC, B-SIDE PULL-UPS	CEC_B PULL-UPS	CEC LDO	LOAD SW AND HPD	DDC/ CEC VLTs	ICCA TYP	ICC5V TYP	COMMENTS
L	L	1.8 V	5.0 V	Off	Off	Off	Off	Off	Off	1 µA	1 µA	Fully Disabled
L	H	1.8 V	5.0 V	On	On	Off	Off	On	Off	1 µA	30 µA	Load Switch on
H	L	1.8 V	5.0 V	Off	Off	Off	Off	Off	Off	1 µA	1 µA	Not a Valid State
H	H	1.8 V	5.0 V	On	On	On	On	On	On	13 µA	200 µA	Fully On
X	X	0 V	0 V	High-Z	High-Z	High-Z	Off	Off	Off	0	0	Power Down
X	X	1.8 V	0 V	High-Z	High-Z	High-Z	Off	Off	Off	0	0	Power Down
X	X	0 V	5.0 V	High-Z	High-Z	High-Z	Off	Off	Off	0	0	Power Down

(1) X = Don't Care, H = Signal High, and L = Signal Low

8 Application and Implementation

NOTE

Information in the following applications sections is not part of the TI component specification, and TI does not warrant its accuracy or completeness. TI's customers are responsible for determining suitability of components for their purposes. Customers should validate and test their design implementation to confirm system functionality.

8.1 Application Information

TPD12S016 provides IEC 61000-4-2 Level 4 Contact ESD rating to the HDMI 1.4 transmitter port. Buffered VLT's translate DDC and CEC channels bidirectionally. The system is designed to work properly with no external pullup resistors on the DDC, CEC, and HPD lines. The CEC line has an integrated 3.3-V rail, eliminating the need for a 3.3-V supply on board.

8.2 Typical Application

The TPD12S016 is placed as close as possible to the HDMI connector to provide voltage level translation, 5V_OUT current limiting and overall ESD protection for the HDMI controller.

8.2.1 Example 1: HDMI Controller Using One Control Line

In the example shown in [Figure 15](#), the HDMI driver chip is controlling the TPD12S016 through only one control line, CT_HPDP. In this mode the HPD_A to LS_OE pin are connected as shown in the oval dotted line of [Figure 15](#). To fully enable TPD12S016, set CT_HPDP above V_{IH} . To fully disable TPD12S016, set CT_HPDP below V_{IL} .

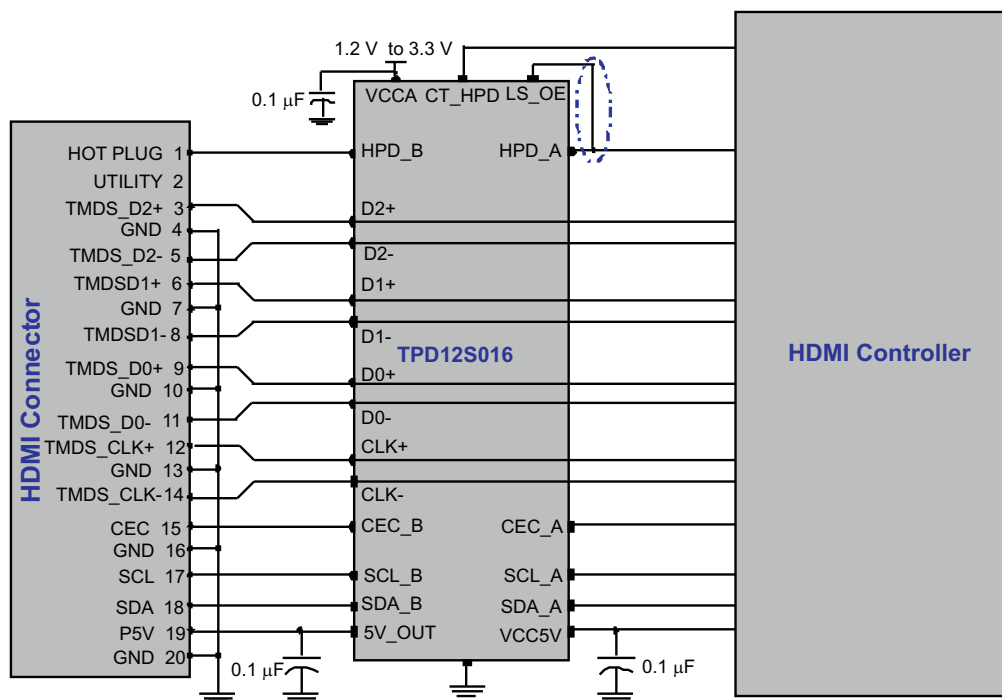


Figure 15. TPD12S016 with an HDMI Controller Using One GPIO for HDMI Interface Control

Typical Application (continued)

8.2.1.1 Design Requirements

For this example, use the following table as input parameters:

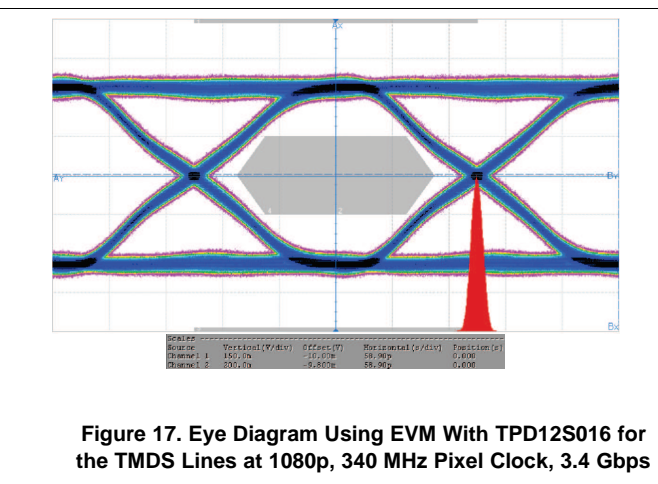
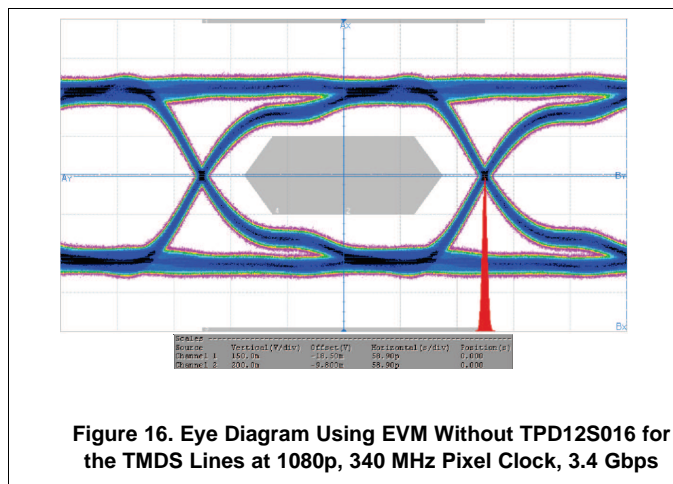
Table 2. HDMI Controller Using One Control Line Design Parameters

DESIGN PARAMETERS			EXAMPLE VALUE
Voltage on V_{CCA}			1.8 V
Voltage on V_{CC5V}			5.0 V
Drive CT_HPD low (disabled)			-0.5 V to 0.4 V
Drive CT_HPD high (enabled)			1.0 V to 1.8 V
Drive a logical 1	A to B	SCL and SDA	1.26 V to 1.8 V
		CEC	
	B to A	SCL and SDA	3.5 V to 5.0 V
		CEC	2.31 V to 3.3 V
Drive a logical 0	A to B	SCL and SDA	-0.5 V to 0.117 V
		CEC	
	B to A	SCL and SDA	-0.5 V to 1.5 V
		CEC	-0.5 V to 0.99 V

8.2.1.2 Detailed Design Procedure

To begin the design process, the designer needs to know the V_{CC5V} voltage range and the logic level, V_{CCA} , voltage range.

8.2.1.3 Application Curves



8.2.2 Example 2: HDMI Controller Using CT_HPD and LS_OE

Some HDMI driver chips may have two GPIOs to control the HDMI interface chip. In this case a flexible power saving mode can be implemented. The load switch can be activated by CT_HPD while the level shifters are inactive, using LS_OE. This results in TPD12S016 drawing only approximately 30 μ A, a reduction of 170 μ A from being fully on. After a hot plug is detected, the HDMI controller can enable the rest of the HDMI interface chip using LS_OE.

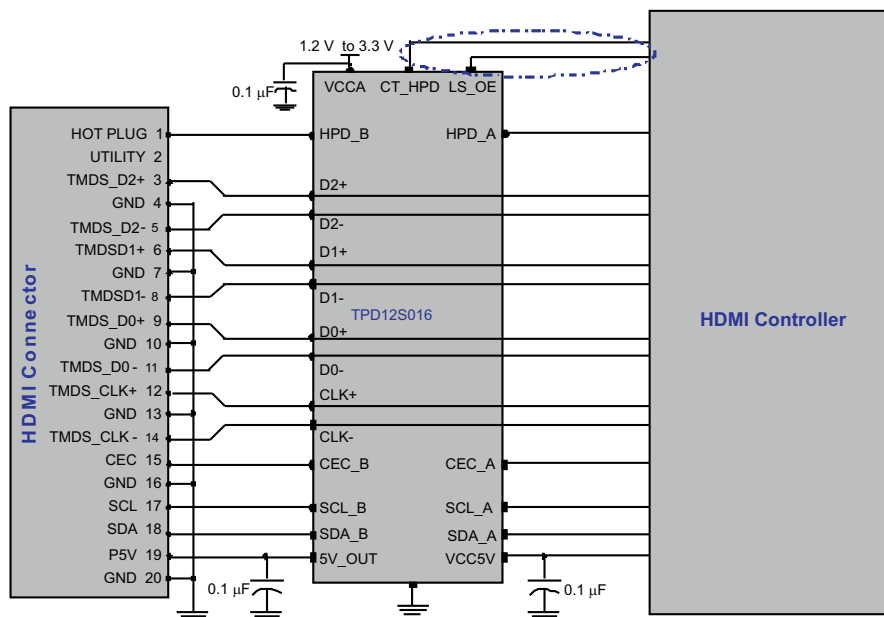


Figure 18. TPD12S016 with an HDMI Controller Using Two GPIOs For HDMI Interface Control

8.2.2.1 Design Requirements

For this example, use [Table 3](#) for input parameters:

Table 3. HDMI Controller Using CT_HPD and LS_OE Design Parameters

DESIGN PARAMETERS			EXAMPLE VALUE	
Voltage on V _{CCA}			3.3 V	
Voltage on V _{CC5V}			5.0 V	
Drive CT_HPD low (disabled)			-0.5 V to 0.4 V	
Drive LS_OE low (disabled)				
Drive CT_HPD high (enabled)			1.0 V to 3.3 V	
Drive LS_OE high (enabled)				
Drive a logical 1	A to B	SCL and SDA	2.31 V to 3.3 V	
		CEC		
	B to A	SCL and SDA		3.5 V to 5.0 V
		CEC		2.31 V to 3.3 V
Drive a logical 0	A to B	SCL and SDA	-0.5 V to 0.214 V	
		CEC		
	B to A	SCL and SDA		-0.5 V to 1.5 V
		CEC		-0.5 V to 0.99 V

8.2.2.2 Detailed Design Procedure

To begin the design process, the designer needs to know the V_{CC5V} voltage range and the logic level, V_{CCA} , voltage range.

8.2.2.3 Application Curves

Refer to [Application Curves](#) for related application curves.

9 Power Supply Recommendations

TPD12S016 has two power input pins: V_{CC5V} and V_{CCA} . It can operate normally with V_{CC5V} between 4.5 V and 5.5 V; and V_{CCA} between 1.1 V and 3.6 V. Thus, the power supply (with a ripple of V_{RIPPLE}) requirement for TPD12S016 for V_{CC5V} is between $4.5\text{ V} + V_{RIPPLE}$ and $5.5\text{ V} - V_{RIPPLE}$; and for V_{CCA} it is between $1.1\text{ V} + V_{RIPPLE}$ and $3.6\text{ V} - V_{RIPPLE}$.

10 Layout

10.1 Layout Guidelines

- The optimum placement is as close to the connector as possible.
 - EMI during an ESD event can couple from the trace being struck to other nearby unprotected traces, resulting in early system failures. Therefore, the PCB designer needs to minimize the possibility of EMI coupling by keeping any unprotected traces away from the protected traces which are between the TVS and the connector.
- Route the protected traces as straight as possible.
- Avoid using VIAs between the connector and an I/O protection pin on TPD12S016.
- Avoid 90° turns in traces.
 - Electric fields tend to build up on corners, increasing EMI coupling.
- Minimize impedance on the path to GND for maximum ESD dissipation.
- The capacitors on V_{BUS} and V_{OTG_IN} should be placed close to their respective pins on TPD12S016.

10.2 Layout Examples

10.2.1 TPD12S016RKT

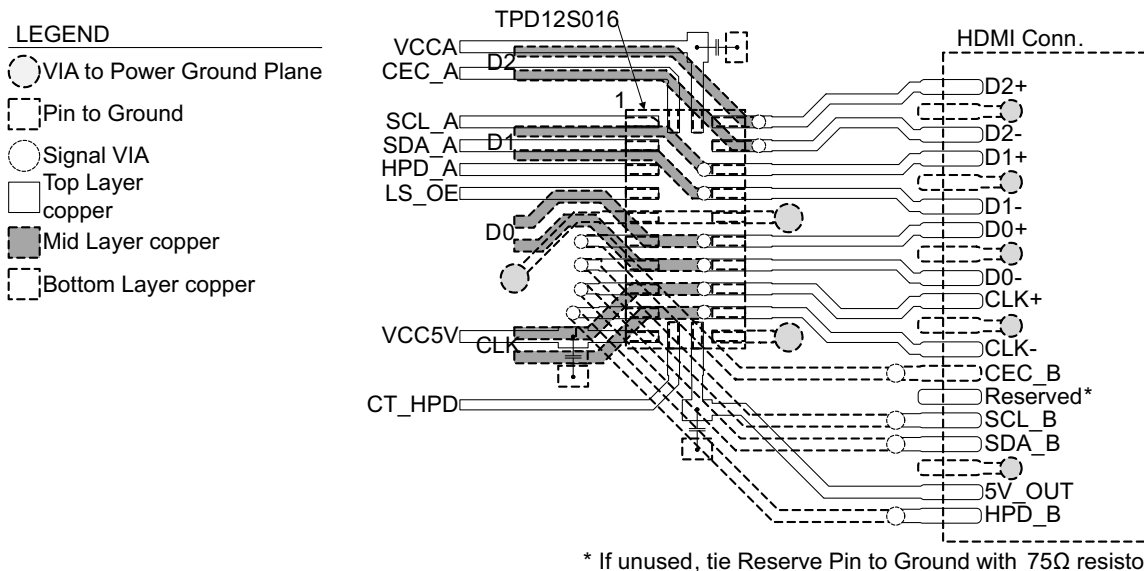
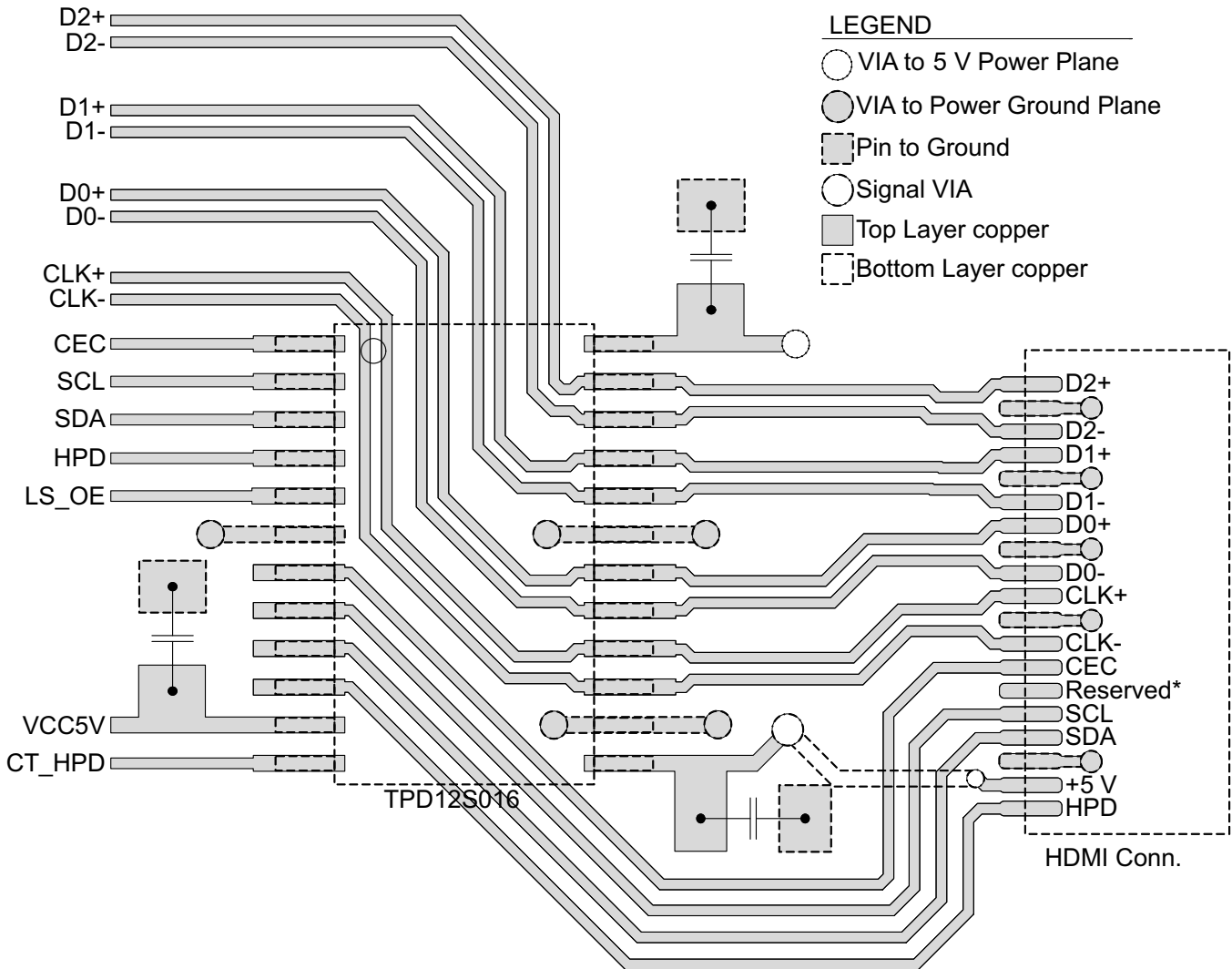


Figure 19. TPD12S016RKT Layout Example

Layout Examples (continued)

Routing with TPD12S016RKT requires three layers. Vias are an integral part of layout for such a design. Proper placement of vias can eliminate exposing the system unnecessarily to an ESD event. The example shown above routes the TMDS lines directly from the connector to the protection pins *before* using vias to an internal layer. This helps promote ESD energy dissipation at the TPD12S016 protection pins. Note that while there is a via between the connector and the DDC/CEC/HPD lines, the traces terminate at the protection pins, leaving no other path for ESD energy to dissipate except at the TPD12S016 protection pins. All ground pins should have a large via near them connecting to as many internal and external ground planes as possible to reduce any impedance between TPD12S016 and ground. Tenting of VIAs near to SMD pads should be done to eliminate any solder-wicking during PCB assembly.

10.2.2 TPD12S016PW



* If unused, tie Reserve Pin to Ground with 75Ω resistor

Figure 20. TPD12S016PW Layout Example

The TPD12S016PW can be routed on a single layer. HDMI connector pin matching has been arranged to allow for a flow through routing style. All ground pins should have a large via near them connecting to as many internal and external ground planes as possible to reduce any impedance between TPD12S016 and ground. Tenting of vias near to SMD pads should be done to eliminate any solder-wicking during PCB assembly.

11 Device and Documentation Support

11.1 Community Resources

The following links connect to TI community resources. Linked contents are provided "AS IS" by the respective contributors. They do not constitute TI specifications and do not necessarily reflect TI's views; see TI's [Terms of Use](#).

TI E2E™ Online Community *TI's Engineer-to-Engineer (E2E) Community*. Created to foster collaboration among engineers. At e2e.ti.com, you can ask questions, share knowledge, explore ideas and help solve problems with fellow engineers.

Design Support *TI's Design Support* Quickly find helpful E2E forums along with design support tools and contact information for technical support.

11.2 Trademarks

E2E is a trademark of Texas Instruments.
All other trademarks are the property of their respective owners.

11.3 Electrostatic Discharge Caution



These devices have limited built-in ESD protection. The leads should be shorted together or the device placed in conductive foam during storage or handling to prevent electrostatic damage to the MOS gates.

11.4 Glossary

[SLYZ022](#) — *TI Glossary*.

This glossary lists and explains terms, acronyms, and definitions.

12 Mechanical, Packaging, and Orderable Information

The following pages include mechanical, packaging, and orderable information. This information is the most current data available for the designated devices. This data is subject to change without notice and revision of this document. For browser-based versions of this data sheet, refer to the left-hand navigation.

PACKAGING INFORMATION

Orderable Device	Status (1)	Package Type	Package Drawing	Pins	Package Qty	Eco Plan (2)	Lead/Ball Finish (6)	MSL Peak Temp (3)	Op Temp (°C)	Device Marking (4/5)	Samples
TPD12S016PWR	ACTIVE	TSSOP	PW	24	2000	Green (RoHS & no Sb/Br)	NIPDAU	Level-1-260C-UNLIM	-40 to 85	PN016	Samples
TPD12S016RKTR	ACTIVE	UQFN	RKT	24	3000	Green (RoHS & no Sb/Br)	NIPDAU	Level-1-260C-UNLIM	-40 to 85	PN016	Samples

(1) The marketing status values are defined as follows:

ACTIVE: Product device recommended for new designs.

LIFEBUY: TI has announced that the device will be discontinued, and a lifetime-buy period is in effect.

NRND: Not recommended for new designs. Device is in production to support existing customers, but TI does not recommend using this part in a new design.

PREVIEW: Device has been announced but is not in production. Samples may or may not be available.

OBSOLETE: TI has discontinued the production of the device.

(2) **RoHS:** TI defines "RoHS" to mean semiconductor products that are compliant with the current EU RoHS requirements for all 10 RoHS substances, including the requirement that RoHS substance do not exceed 0.1% by weight in homogeneous materials. Where designed to be soldered at high temperatures, "RoHS" products are suitable for use in specified lead-free processes. TI may reference these types of products as "Pb-Free".

RoHS Exempt: TI defines "RoHS Exempt" to mean products that contain lead but are compliant with EU RoHS pursuant to a specific EU RoHS exemption.

Green: TI defines "Green" to mean the content of Chlorine (Cl) and Bromine (Br) based flame retardants meet JS709B low halogen requirements of <=1000ppm threshold. Antimony trioxide based flame retardants must also meet the <=1000ppm threshold requirement.

(3) MSL, Peak Temp. - The Moisture Sensitivity Level rating according to the JEDEC industry standard classifications, and peak solder temperature.

(4) There may be additional marking, which relates to the logo, the lot trace code information, or the environmental category on the device.

(5) Multiple Device Markings will be inside parentheses. Only one Device Marking contained in parentheses and separated by a "~" will appear on a device. If a line is indented then it is a continuation of the previous line and the two combined represent the entire Device Marking for that device.

(6) Lead/Ball Finish - Orderable Devices may have multiple material finish options. Finish options are separated by a vertical ruled line. Lead/Ball Finish values may wrap to two lines if the finish value exceeds the maximum column width.

Important Information and Disclaimer:The information provided on this page represents TI's knowledge and belief as of the date that it is provided. TI bases its knowledge and belief on information provided by third parties, and makes no representation or warranty as to the accuracy of such information. Efforts are underway to better integrate information from third parties. TI has taken and continues to take reasonable steps to provide representative and accurate information but may not have conducted destructive testing or chemical analysis on incoming materials and chemicals. TI and TI suppliers consider certain information to be proprietary, and thus CAS numbers and other limited information may not be available for release.

In no event shall TI's liability arising out of such information exceed the total purchase price of the TI part(s) at issue in this document sold by TI to Customer on an annual basis.

TAPE AND REEL INFORMATION



QUADRANT ASSIGNMENTS FOR PIN 1 ORIENTATION IN TAPE



*All dimensions are nominal

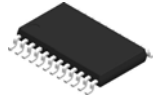
Device	Package Type	Package Drawing	Pins	SPQ	Reel Diameter (mm)	Reel Width W1 (mm)	A0 (mm)	B0 (mm)	K0 (mm)	P1 (mm)	W (mm)	Pin1 Quadrant
TPD12S016PWR	TSSOP	PW	24	2000	330.0	16.4	6.95	8.3	1.6	8.0	16.0	Q1
TPD12S016RKTR	UQFN	RKT	24	3000	177.8	12.4	2.21	4.22	0.81	4.0	12.0	Q1

TAPE AND REEL BOX DIMENSIONS


*All dimensions are nominal

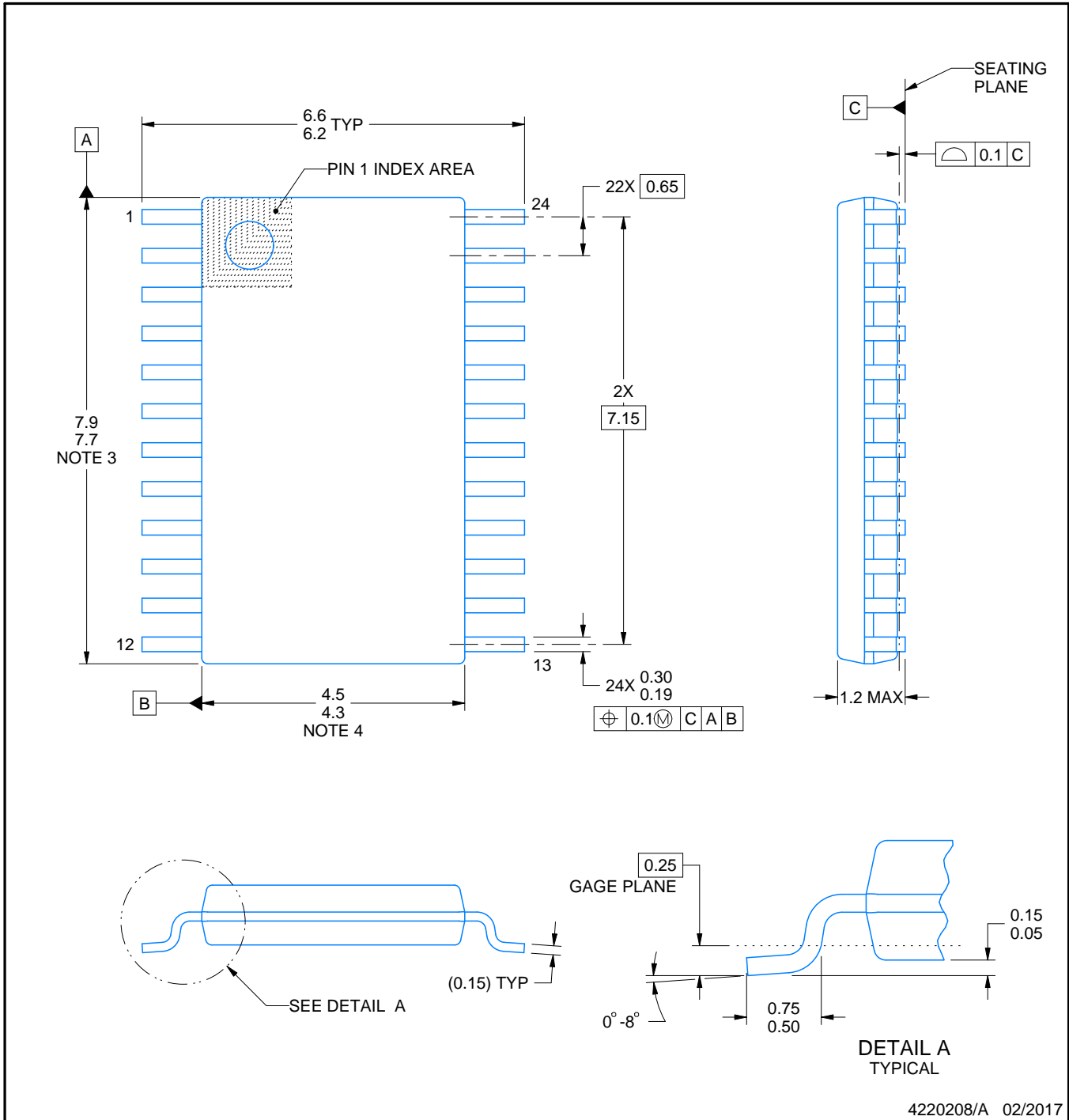
Device	Package Type	Package Drawing	Pins	SPQ	Length (mm)	Width (mm)	Height (mm)
TPD12S016PWR	TSSOP	PW	24	2000	367.0	367.0	38.0
TPD12S016RKTR	UQFN	RKT	24	3000	183.0	183.0	20.0

PW0024A



PACKAGE OUTLINE
TSSOP - 1.2 mm max height

SMALL OUTLINE PACKAGE



NOTES:

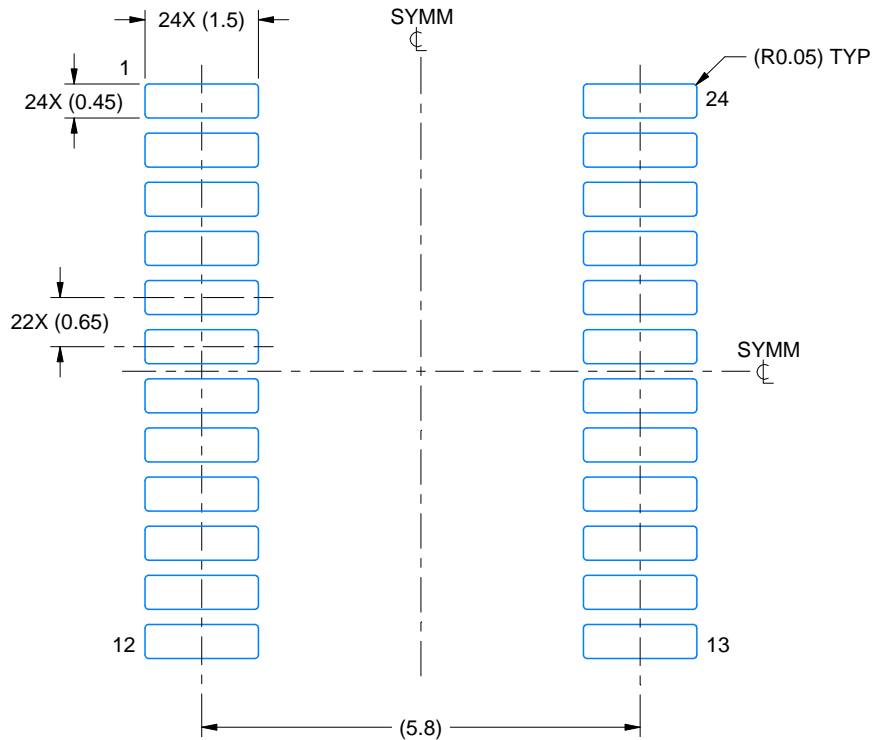
1. All linear dimensions are in millimeters. Any dimensions in parenthesis are for reference only. Dimensioning and tolerancing per ASME Y14.5M.
2. This drawing is subject to change without notice.
3. This dimension does not include mold flash, protrusions, or gate burrs. Mold flash, protrusions, or gate burrs shall not exceed 0.15 mm per side.
4. This dimension does not include interlead flash. Interlead flash shall not exceed 0.25 mm per side.
5. Reference JEDEC registration MO-153.

EXAMPLE BOARD LAYOUT

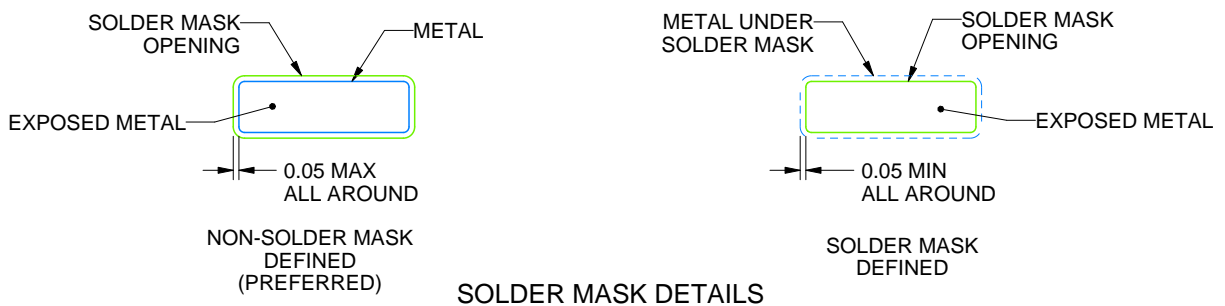
PW0024A

TSSOP - 1.2 mm max height

SMALL OUTLINE PACKAGE



LAND PATTERN EXAMPLE
EXPOSED METAL SHOWN
SCALE: 10X



SOLDER MASK DETAILS

4220208/A 02/2017

NOTES: (continued)

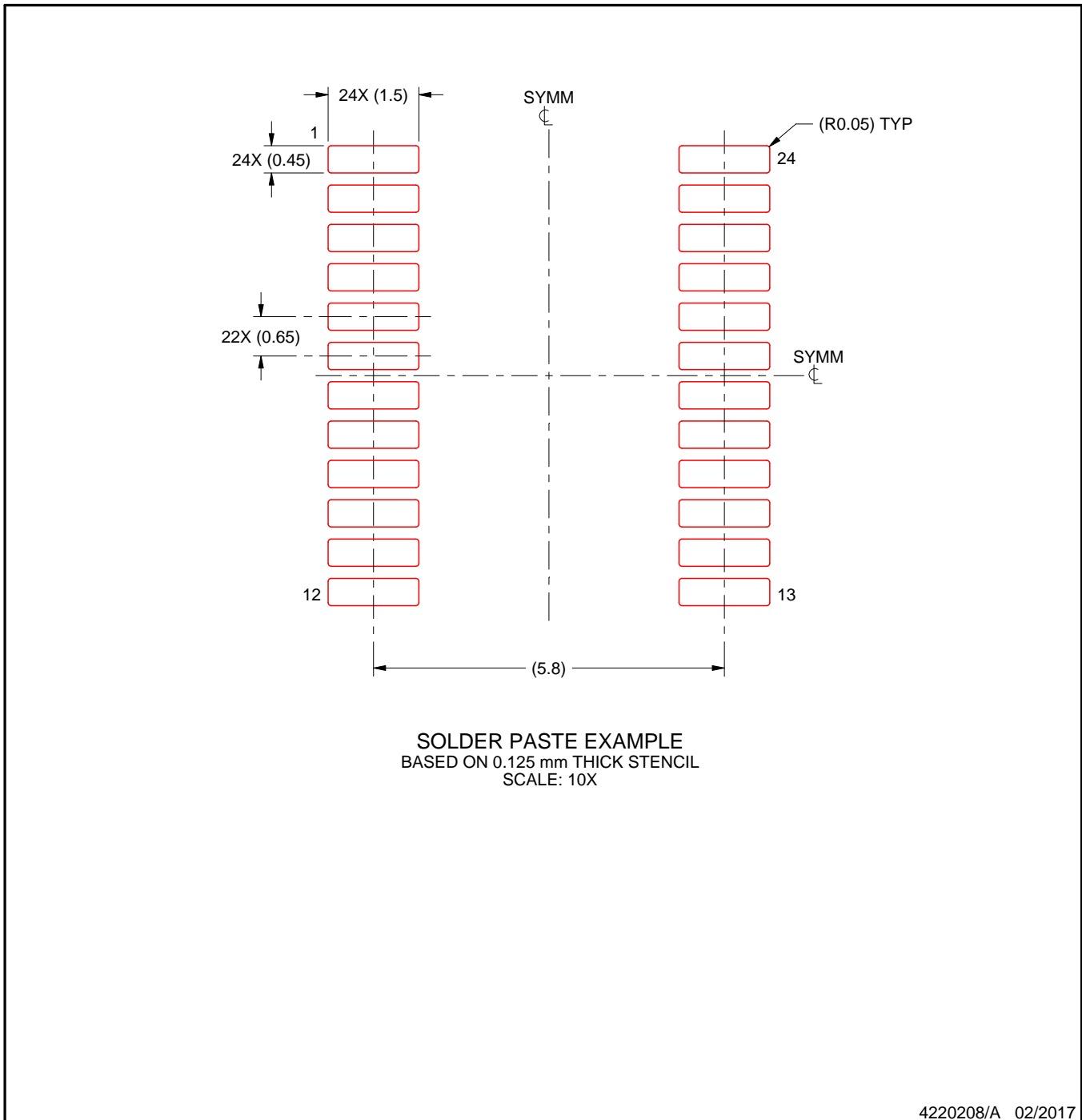
- 6. Publication IPC-7351 may have alternate designs.
- 7. Solder mask tolerances between and around signal pads can vary based on board fabrication site.

EXAMPLE STENCIL DESIGN

PW0024A

TSSOP - 1.2 mm max height

SMALL OUTLINE PACKAGE



NOTES: (continued)

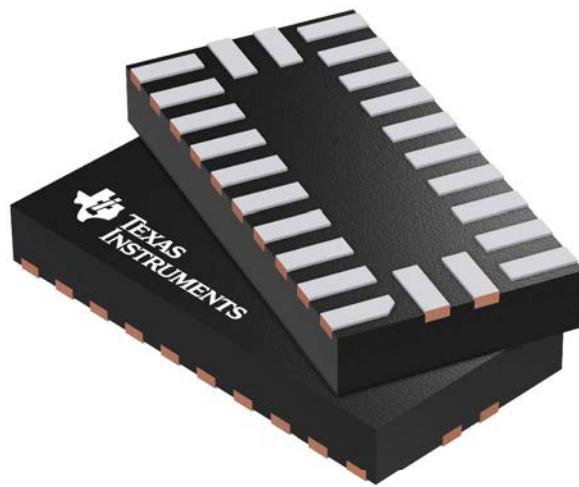
8. Laser cutting apertures with trapezoidal walls and rounded corners may offer better paste release. IPC-7525 may have alternate design recommendations.
9. Board assembly site may have different recommendations for stencil design.

GENERIC PACKAGE VIEW

RKT 24

UQFN - 0.55 mm max height

PLASTIC QUAD FLATPACK - NO LEAD



Images above are just a representation of the package family, actual package may vary.
Refer to the product data sheet for package details.

4211396/B

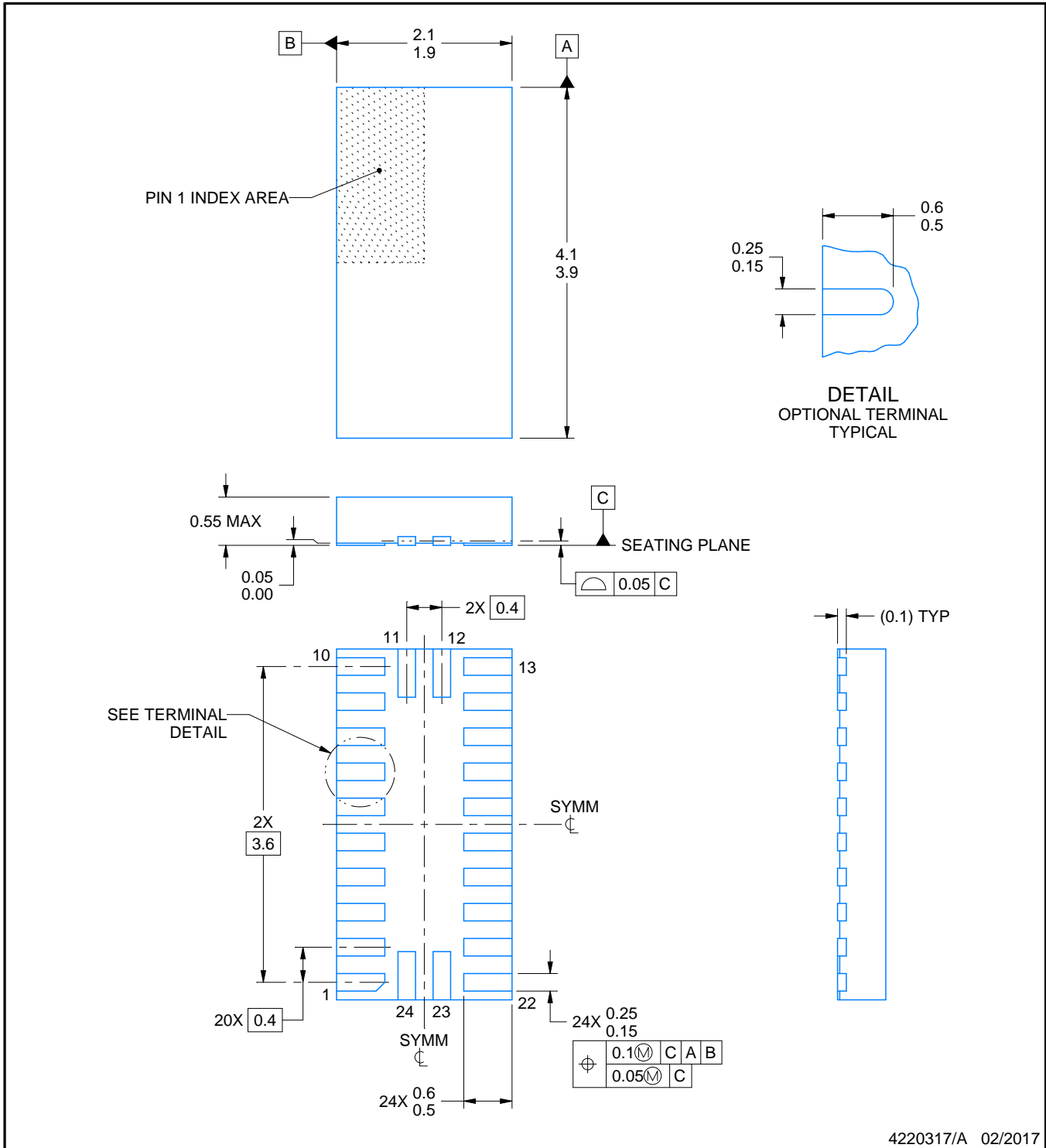
RKT0024A



PACKAGE OUTLINE

UQFN - 0.55 mm max height

PLASTIC QUAD FLATPACK - NO LEAD



NOTES:

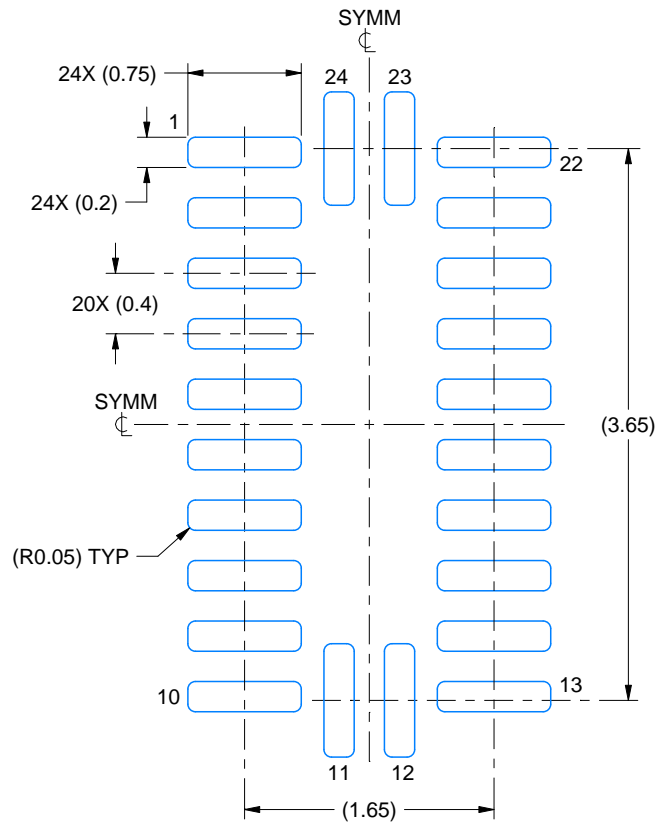
1. All linear dimensions are in millimeters. Any dimensions in parenthesis are for reference only. Dimensioning and tolerancing per ASME Y14.5M.
2. This drawing is subject to change without notice.

EXAMPLE BOARD LAYOUT

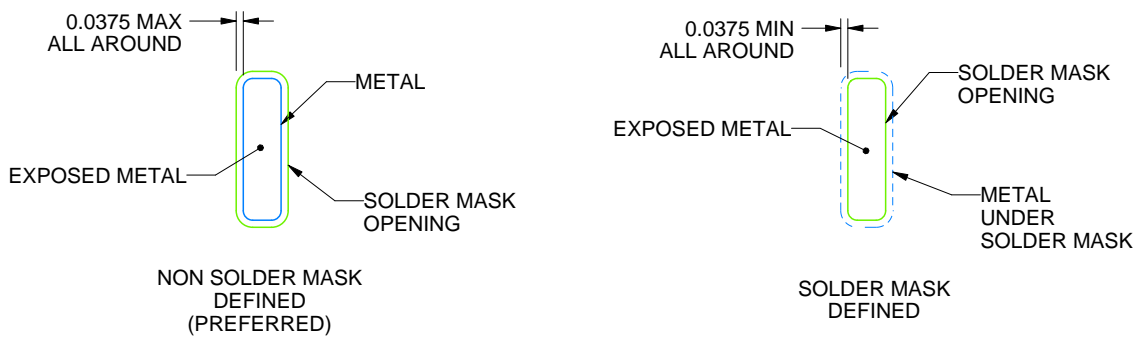
RKT0024A

UQFN - 0.55 mm max height

PLASTIC QUAD FLATPACK - NO LEAD



LAND PATTERN EXAMPLE
EXPOSED METAL SHOWN
SCALE:20X



SOLDER MASK DETAILS
NOT TO SCALE

4220317/A 02/2017

NOTES: (continued)

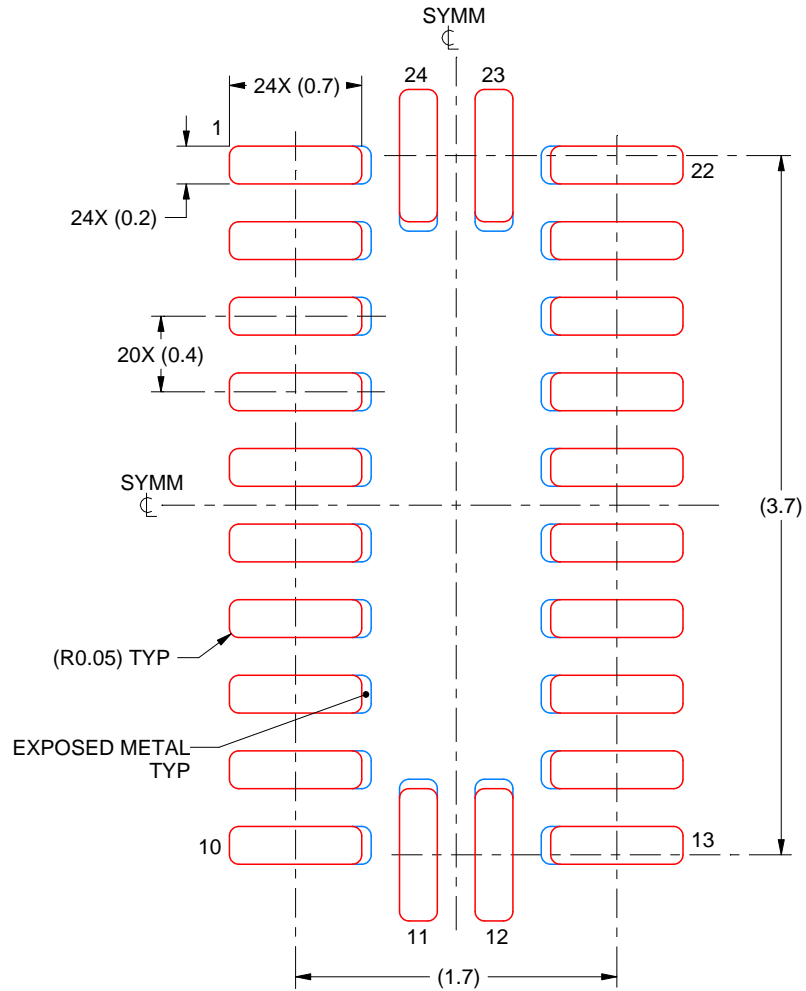
3. For more information, see Texas Instruments literature number SLUA271 (www.ti.com/lit/slua271).

EXAMPLE STENCIL DESIGN

RKT0024A

UQFN - 0.55 mm max height

PLASTIC QUAD FLATPACK - NO LEAD



SOLDER PASTE EXAMPLE
BASED ON 0.1 mm THICKNESS
SCALE:25X

4220317/A 02/2017

NOTES: (continued)

4. Laser cutting apertures with trapezoidal walls and rounded corners may offer better paste release. IPC-7525 may have alternate design recommendations.

IMPORTANT NOTICE AND DISCLAIMER

TI PROVIDES TECHNICAL AND RELIABILITY DATA (INCLUDING DATASHEETS), DESIGN RESOURCES (INCLUDING REFERENCE DESIGNS), APPLICATION OR OTHER DESIGN ADVICE, WEB TOOLS, SAFETY INFORMATION, AND OTHER RESOURCES "AS IS" AND WITH ALL FAULTS, AND DISCLAIMS ALL WARRANTIES, EXPRESS AND IMPLIED, INCLUDING WITHOUT LIMITATION ANY IMPLIED WARRANTIES OF MERCHANTABILITY, FITNESS FOR A PARTICULAR PURPOSE OR NON-INFRINGEMENT OF THIRD PARTY INTELLECTUAL PROPERTY RIGHTS.

These resources are intended for skilled developers designing with TI products. You are solely responsible for (1) selecting the appropriate TI products for your application, (2) designing, validating and testing your application, and (3) ensuring your application meets applicable standards, and any other safety, security, or other requirements. These resources are subject to change without notice. TI grants you permission to use these resources only for development of an application that uses the TI products described in the resource. Other reproduction and display of these resources is prohibited. No license is granted to any other TI intellectual property right or to any third party intellectual property right. TI disclaims responsibility for, and you will fully indemnify TI and its representatives against, any claims, damages, costs, losses, and liabilities arising out of your use of these resources.

TI's products are provided subject to TI's Terms of Sale (www.ti.com/legal/termsofsale.html) or other applicable terms available either on ti.com or provided in conjunction with such TI products. TI's provision of these resources does not expand or otherwise alter TI's applicable warranties or warranty disclaimers for TI products.

Mailing Address: Texas Instruments, Post Office Box 655303, Dallas, Texas 75265
Copyright © 2020, Texas Instruments Incorporated