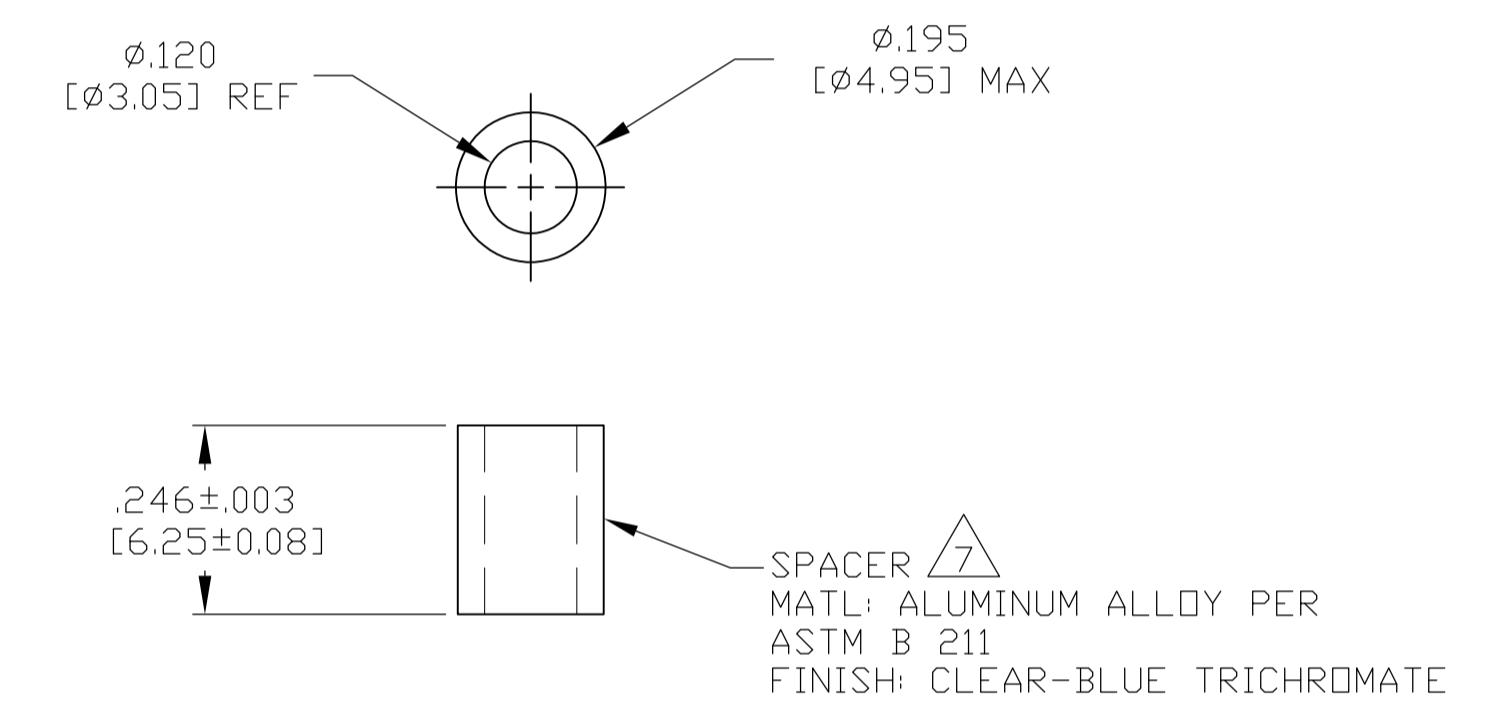
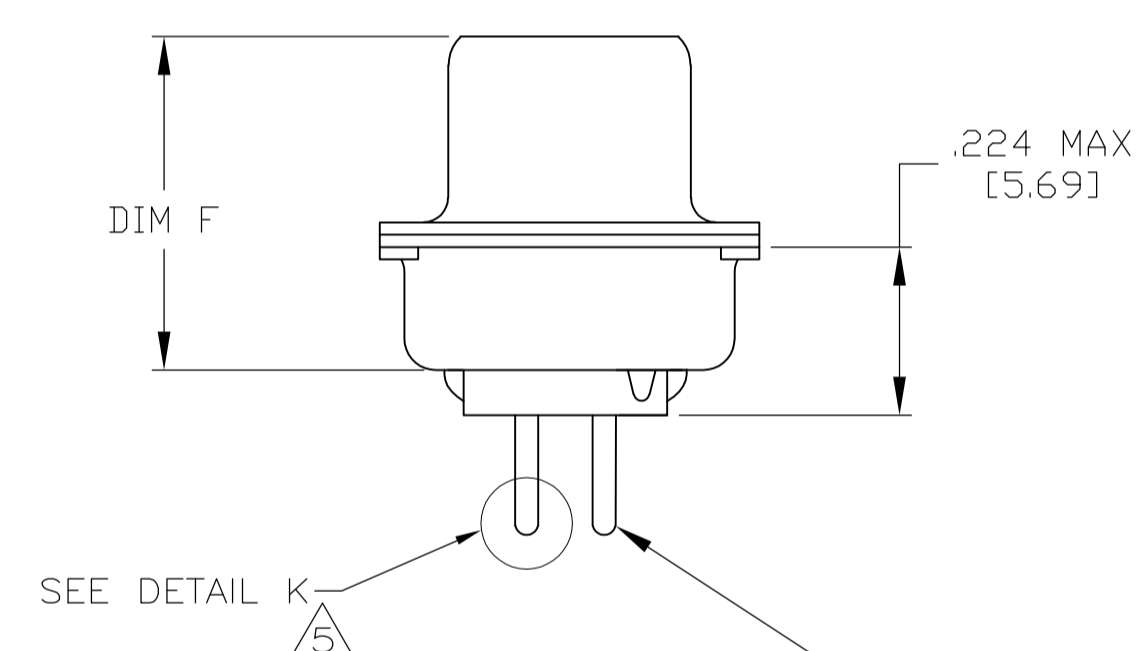
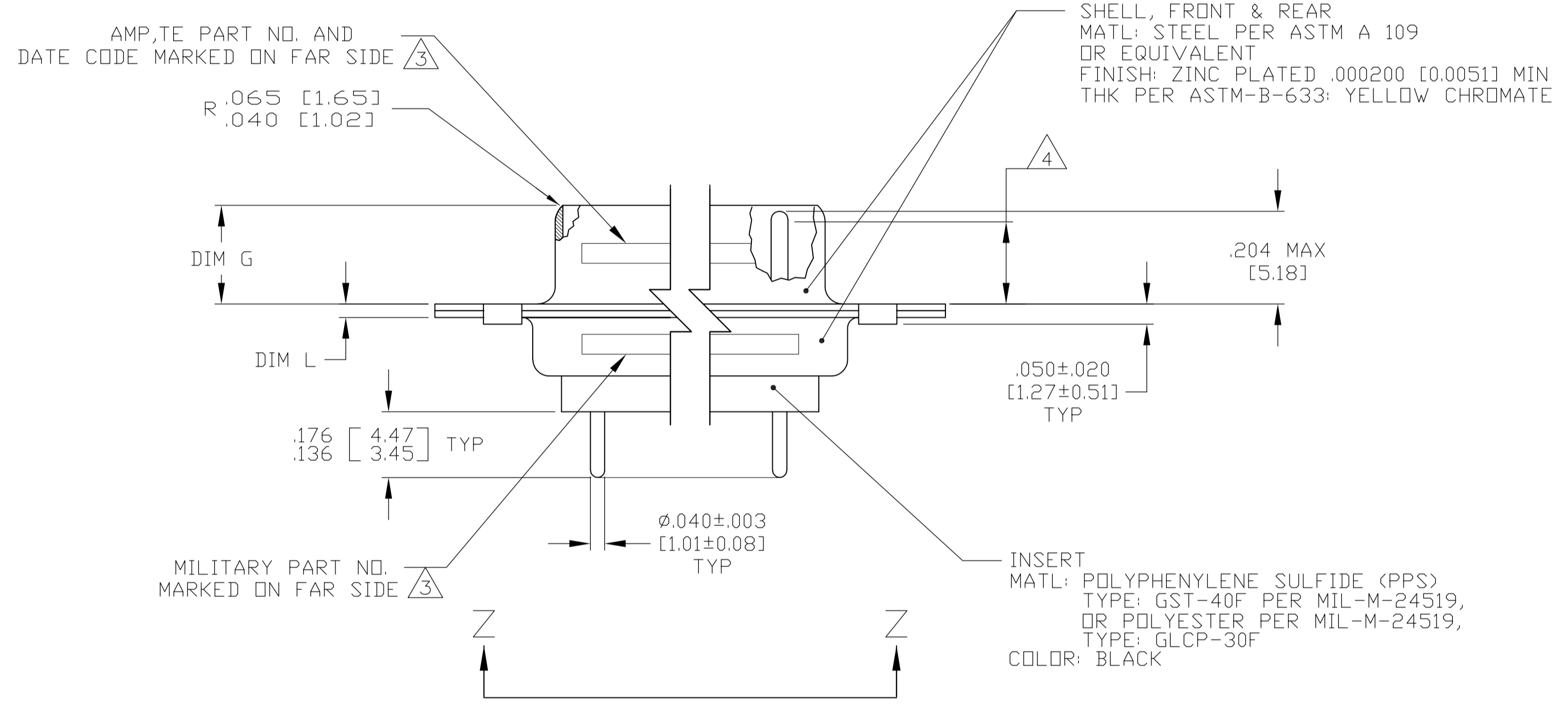
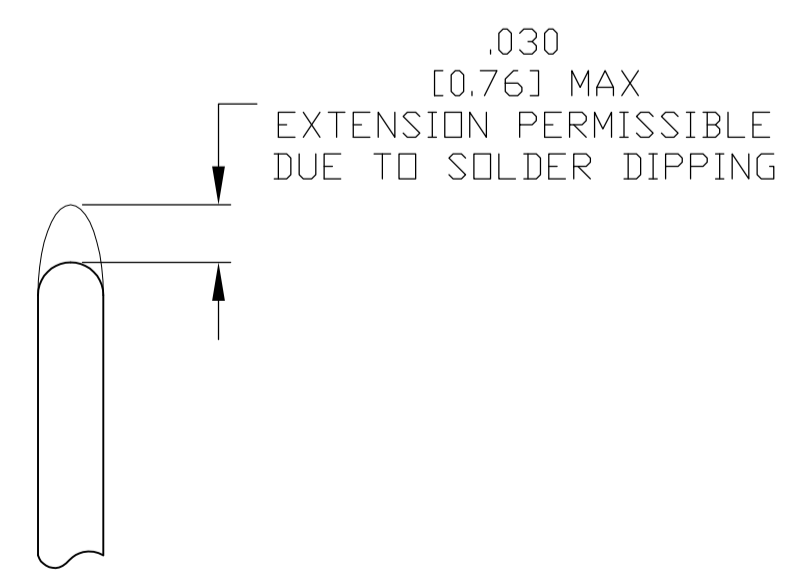


- 1. SEE SHEET 2 FOR RECOMMENDED P.C. BOARD LAYOUT. TRUE POSITION TOLERANCE FOR P.C. BOARD LAYOUT IS .010 [0.25] AT MAX MATERIAL CONDITION. SUGGESTED BOARD THICKNESS IS .062 [1.57]
- 2. THE CONNECTORS DESCRIBED IN THIS DOCUMENT MEET THE REQUIREMENTS OF MIL-C-24308 AND MATE WITH ANY PLUG CONNECTOR WITH SAME INSERT ARRANGEMENT.
- 3. MARKED WITH .047 [1.19]-.062 [1.57] HIGH CHARACTERS. FAR SIDE REFERS TO THE WIDE SIDE OF THE KEYSTONE. NEAR SIDE REFERS TO THE NARROW SIDE OF THE KEYSTONE. IF THE REAR SHELL IS TOO SMALL FOR THE ENTIRE MILITARY PART NUMBER, MARKING SHALL BE LOCATED AS FOLLOWS:
  - A. "M24308" ON FRONT SHELL, FAR SIDE.
  - B. SLASH SHEET AND DASH NUMBER ON REAR SHELL, FAR SIDE.
  - C. "AMP" AND DATE CODE ON FRONT SHELL, NEAR SIDE.
  - D. TE PART NUMBER ON REAR SHELL, NEAR SIDE.
 IF THE FRONT SHELL IS TOO SMALL FOR "AMP", TE PART NUMBER AND DATE CODE, MARKING SHALL BE SPLIT AS FOLLOWS:
  - A. TE PART NUMBER ON REAR SHELL, NEAR SIDE.
  - B. "AMP" AND DATE CODE ON FRONT SHELL, NEAR SIDE.
  - C. MILITARY PART NUMBER ON REAR SHELL, FAR SIDE.
- 4. REQUIREMENT FOR FULL PIN DIAMETER EXTENSION: .159 [4.04 MIN FOR SHELL SIZE 1 THRU 2; .150 [3.81] MIN FOR SHELL SIZE 3, 4 & 5.
- 5. SOLDER DIPPED PER J-STD-001 WITH Sn63 SOLDER PER J-STD-006 IN THE ENTIRE AREA OF DIMENSION SHOWN. (1757831-6 THRU -10 ONLY.)
- 6. MEETS SOLDERABILITY PER MIL-STD-202 METHOD 208.
- 7. SPACERS (QTY = 2) ARE SUPPLIED WITH CONNECTOR; NOT ATTACHED.



CONTACT (QTY = NO. OF POSN)  
 MATL: BRASS PER ASTM-B-16, OR BERYLLIUM COPPER PER ASTM-B-194  
 FINISH: GOLD PER ASTM-B-488, TYPE II, GRADE C, CLASS 1.27 IN CONTACT MATING AREA, .000010 [0.0003] MIN THK GOLD PER ASTM-B-488 OVER .000050 [0.0013] MIN THK NICKEL PER SAE-AMS-QQ-N-290 ON CONTACT BODY



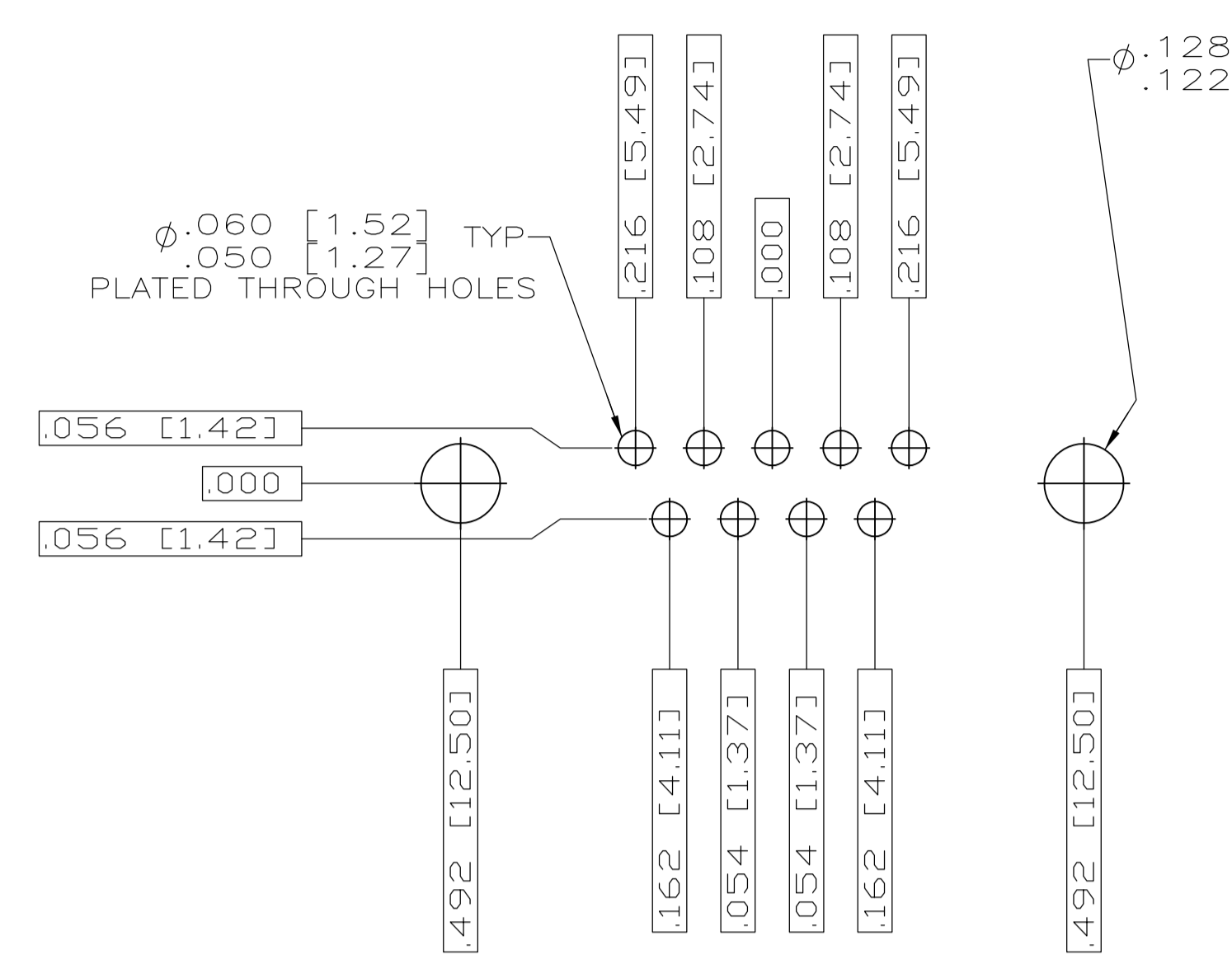
.049	[1.24]	.544	[13.82]	2.188	[55.58]	.236	[5.99]	.436	[11.07]	.620	[15.75]	.446	[11.33]	2.411	[61.24]	2.084	[52.93]	2.650	[67.31]	MS18277-1	50	5	M24308/24-17Z	1757831-5	1-1757831-0	△
.029	[0.74]	.524	[13.31]	2.168	[55.07]	.224	[5.69]	.416	[10.57]	.590	[14.99]	.436	[11.07]	2.401	[60.99]	2.074	[52.68]	2.620	[66.55]	MS18276-1	37	4	M24308/24-16Z	1757831-4	1757831-9	△
.049	[1.24]	.432	[10.97]	2.282	[57.96]	.236	[5.99]	.436	[11.07]	.509	[12.93]	.334	[8.48]	2.505	[63.63]	2.187	[55.55]	2.744	[69.70]	MS18275-1	25	3	M24308/24-15Z	1757831-3	1757831-8	△
.029	[0.74]	.412	[10.46]	2.262	[57.45]	.224	[5.69]	.416	[10.57]	.479	[12.17]	.324	[8.23]	2.495	[63.37]	2.177	[55.30]	2.714	[68.94]	MS18274-1	15	2	M24308/24-14Z	1757831-2	1757831-7	△
.049	[1.24]	.432	[10.97]	1.635	[41.53]	.236	[5.99]	.436	[11.07]	.509	[12.93]	.334	[8.48]	1.857	[47.17]	1.539	[39.09]	2.103	[53.42]	MS18273-1	9	1	M24308/24-13Z	1757831-1	1757831-6	△
.020	[0.51]	.412	[10.46]	1.615	[41.02]	.224	[5.69]	.416	[10.57]	.479	[12.17]	.324	[8.23]	1.847	[46.91]	1.529	[38.84]	2.073	[52.65]	MS18277-1	50	5	M24308/24-17Z	1757831-5	1757831-5	
.049	[1.24]	.432	[10.97]	2.282	[57.96]	.236	[5.99]	.436	[11.07]	.509	[12.93]	.334	[8.48]	2.505	[63.63]	2.187	[55.55]	2.744	[69.70]	MS18276-1	37	4	M24308/24-16Z	1757831-4	1757831-4	
.029	[0.74]	.412	[10.46]	2.262	[57.45]	.224	[5.69]	.416	[10.57]	.479	[12.17]	.324	[8.23]	2.495	[63.37]	2.177	[55.30]	2.714	[68.94]	MS18275-1	25	3	M24308/24-15Z	1757831-3	1757831-3	
.049	[1.24]	.432	[10.97]	1.635	[41.53]	.236	[5.99]	.436	[11.07]	.509	[12.93]	.334	[8.48]	1.857	[47.17]	1.539	[39.09]	2.103	[53.42]	MS18274-1	15	2	M24308/24-14Z	1757831-2	1757831-2	
.020	[0.51]	.412	[10.46]	1.615	[41.02]	.224	[5.69]	.416	[10.57]	.479	[12.17]	.324	[8.23]	1.847	[46.91]	1.529	[38.84]	2.073	[52.65]	MS18273-1	9	1	M24308/24-13Z	1757831-1	1757831-1	
.049	[1.24]	.432	[10.97]	2.282	[57.96]	.236	[5.99]	.436	[11.07]	.509	[12.93]	.334	[8.48]	2.505	[63.63]	2.187	[55.55]	2.744	[69.70]	MS18277-1	50	5	M24308/24-17Z	1757831-5	1757831-5	
.029	[0.74]	.412	[10.46]	2.262	[57.45]	.224	[5.69]	.416	[10.57]	.479	[12.17]	.324	[8.23]	2.495	[63.37]	2.177	[55.30]	2.714	[68.94]	MS18276-1	37	4	M24308/24-16Z	1757831-4	1757831-4	
.049	[1.24]	.432	[10.97]	1.635	[41.53]	.236	[5.99]	.436	[11.07]	.509	[12.93]	.334	[8.48]	1.857	[47.17]	1.539	[39.09]	2.103	[53.42]	MS18275-1	25	3	M24308/24-15Z	1757831-3	1757831-3	
.029	[0.74]	.412	[10.46]	1.615	[41.02]	.224	[5.69]	.416	[10.57]	.479	[12.17]	.324	[8.23]	1.847	[46.91]	1.529	[38.84]	2.073	[52.65]	MS18274-1	15	2	M24308/24-14Z	1757831-2	1757831-2	
.040	[1.02]	.432	[10.97]	1.093	[27.76]	.238	[6.05]	.432	[10.97]	.509	[12.93]	.334	[8.48]	1.317	[33.45]	.999	[25.37]	1.556	[39.52]	MS18273-1	9	1	M24308/24-13Z	1757831-1	1757831-1	
.020	[0.51]	.412	[10.46]	1.073	[27.25]	.229	[5.82]	.412	[10.46]	.479	[12.17]	.324	[8.23]	1.307	[33.20]	.989	[25.12]	1.526	[38.76]	MS18277-1	50	5	M24308/24-17Z	1757831-5	1757831-5	
.040	[1.02]	.432	[10.97]	.769	[19.53]	.238	[6.05]	.432	[10.97]	.509	[12.93]	.334	[8.48]	.989	[25.12]	.671	[17.04]	1.228	[31.19]	MS18276-1	37	4	M24308/24-16Z	1757831-4	1757831-4	
.020	[0.51]	.412	[10.46]	.749	[19.02]	.229	[5.82]	.412	[10.46]	.479	[12.17]	.324	[8.23]	.979	[24.87]	.661	[16.79]	1.198	[30.43]	MS18275-1	25	3	M24308/24-15Z	1757831-3	1757831-3	
																				MS18274-1	15	2	M24308/24-14Z	1757831-2	1757831-2	
																				MS18273-1	9	1	M24308/24-13Z	1757831-1	1757831-1	
L	J	H	G	F	E	D	C	B	A											INSERT ARRANGEMENT	NO OF POS	SHELL SIZE	MILITARY P/N ON CONNECTOR	TE P/N ON CONNECTOR	PART NUMBER	

DETAIL K  
 SCALE 10:1  
 FOR 1757831-6 THRU -10 ONLY

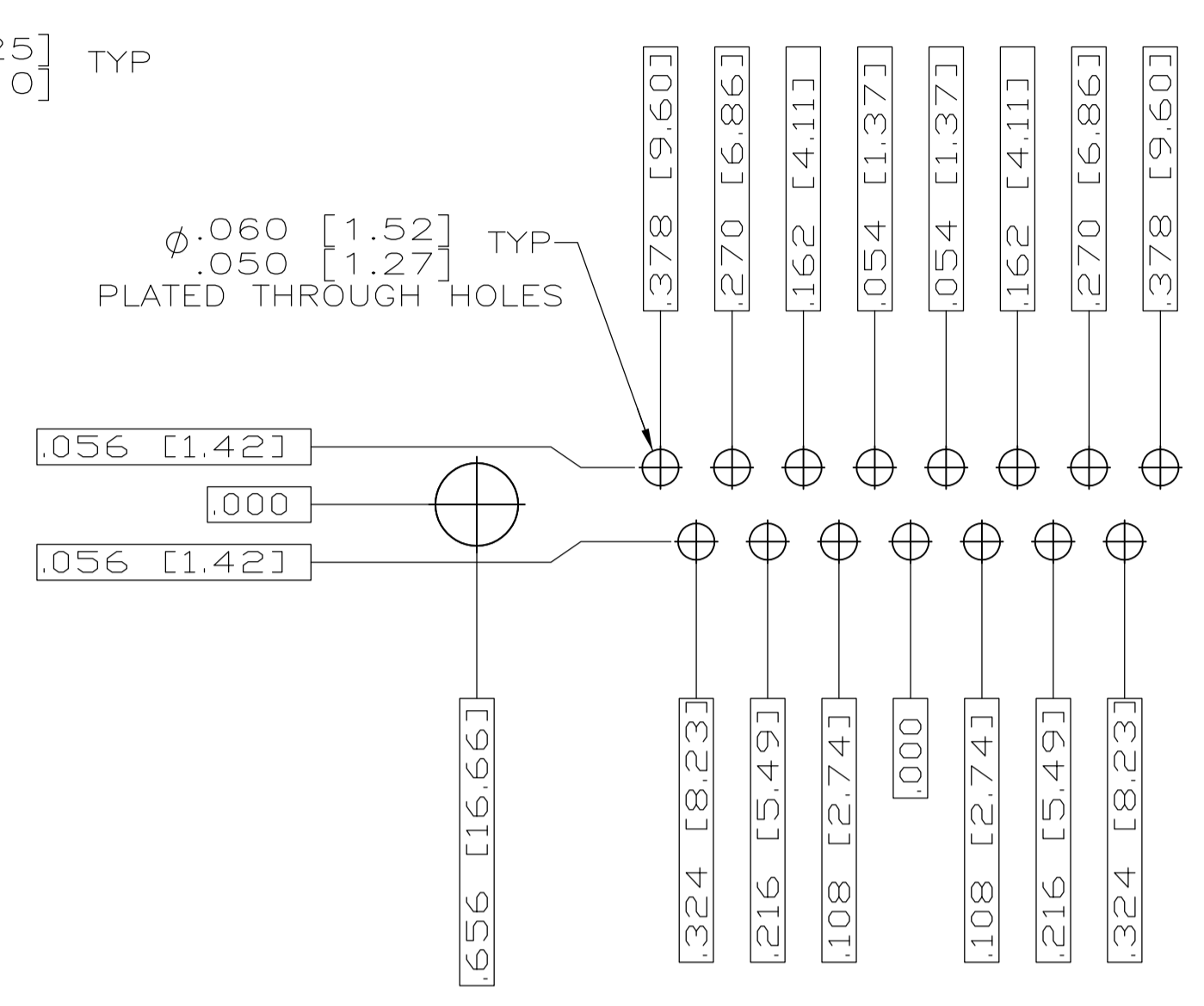
THIS DRAWING IS A CONTROLLED DOCUMENT.

DIMENSIONS: INCHES	TOLERANCES UNLESS OTHERWISE SPECIFIED:	DIN 3-28-06	C.C. THOMAS
0 PLC ± -	± -	3-29-06	D. MILLER
1 PLC ± -	± -		D. MILLER
2 PLC ± -	± -		D. MILLER
3 PLC ± -	± .005 [0.13]		D. MILLER
4 PLC ± -	± .1"		
ANGLES	± .1"		

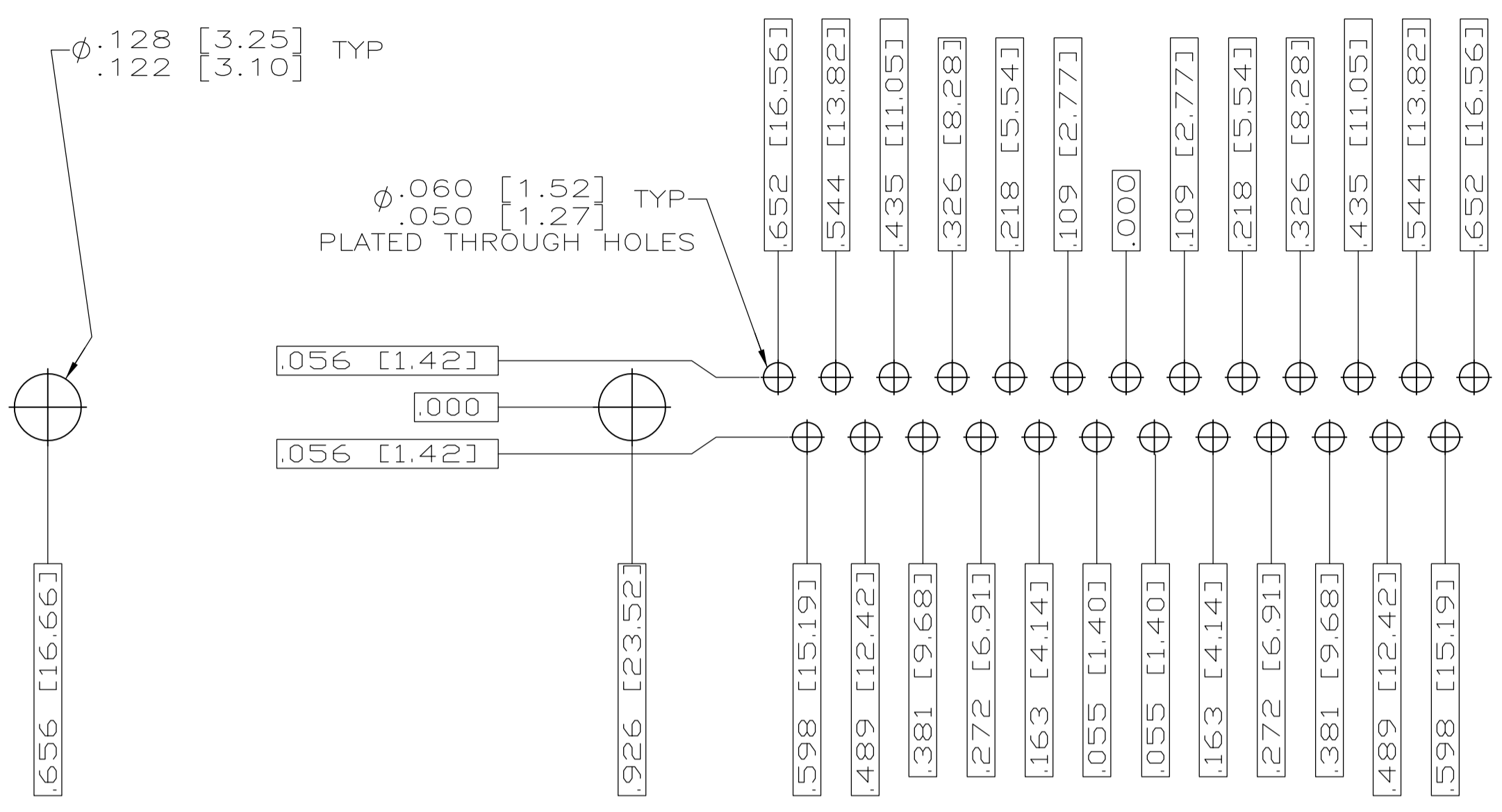
MATERIAL: SEE CALLOUTS  
 FINISH: SEE CALLOUTS  
 WEIGHT: -  
 SIZE: A1  
 CASE CODE: 00779  
 DRAWING NO: 1757831  
 RESTRICTED TO: -  
 CUSTOMER DRAWING: -  
 SCALE: 4:1  
 SHEET: 1 OF 2  
 REV: B



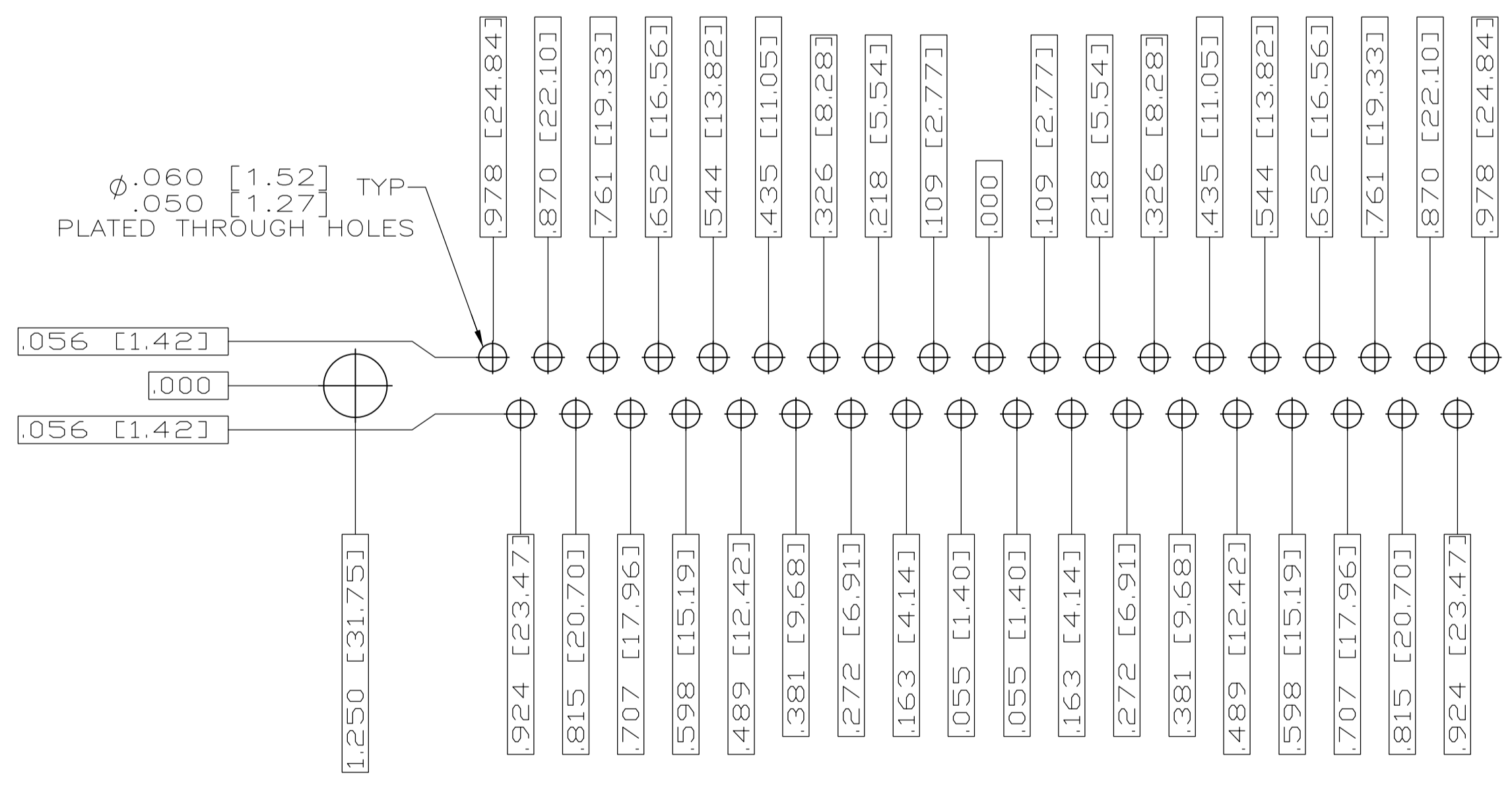
RECOMMENDED P.C. BOARD LAYOUT  
SHELL SIZE 1 (9 POSITION) ⚠



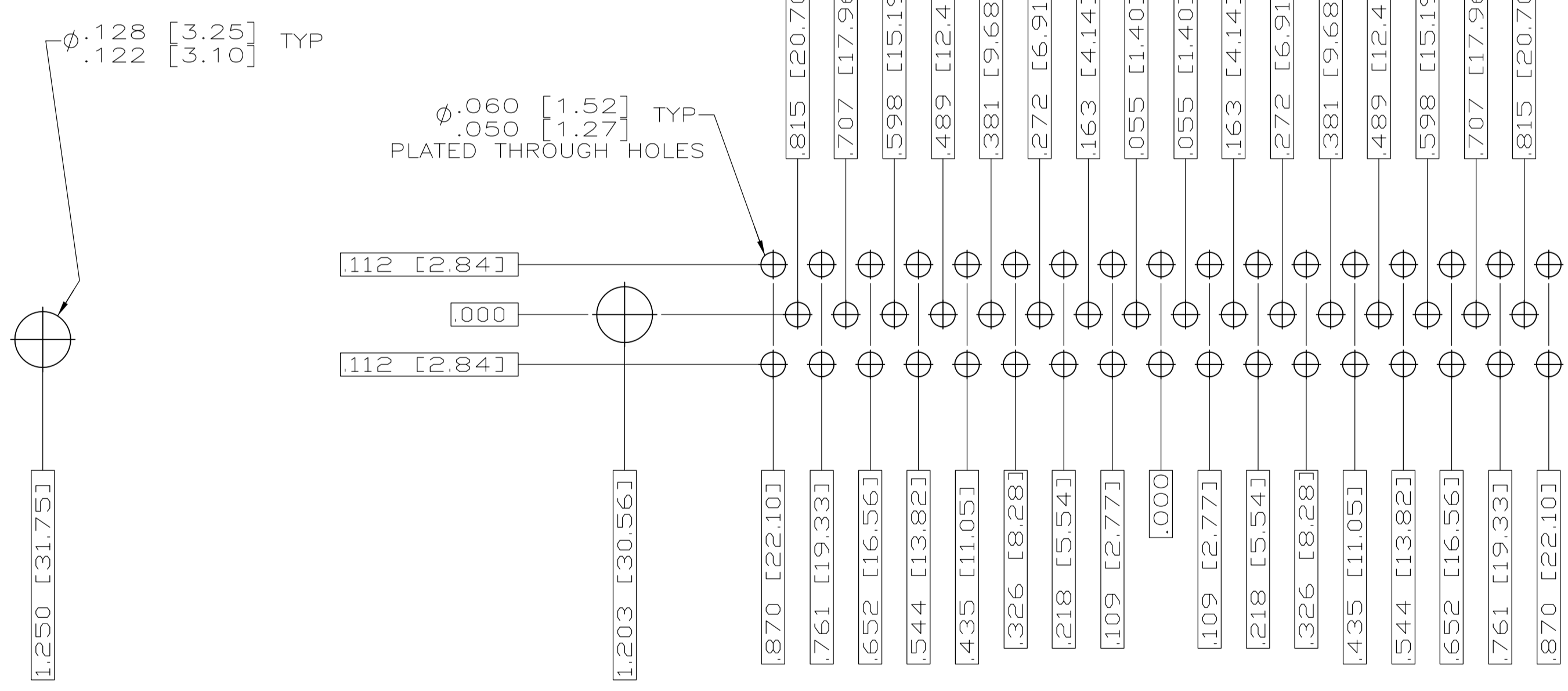
RECOMMENDED P.C. BOARD LAYOUT  
SHELL SIZE 2 (15 POSITION) ⚠



RECOMMENDED P.C. BOARD LAYOUT  
SHELL SIZE 3 (25 POSITION) ⚠



RECOMMENDED P.C. BOARD LAYOUT  
SHELL SIZE 4 (37 POSITION) ⚠



RECOMMENDED P.C. BOARD LAYOUT  
SHELL SIZE 5 (50 POSITION) ⚠

THIS DRAWING IS A CONTROLLED DOCUMENT.		DIN C.C.THOMAS 3-28-06	TE Connectivity
DIMENSIONS: INCHES		CHK D.MILLER 3-29-06	
TOLERANCES UNLESS OTHERWISE SPECIFIED:		APVD D.MILLER 3-29-06	NAME
0 PLC ± .005 1 PLC ± .005 2 PLC ± .005 3 PLC ± .005 4 PLC ± .005 ANGLES ± .1°	FINISH SEE CALLOUTS	WEIGHT -	PRODUCT SPEC PLUG ASSEMBLY,AMPLITUDE POSTED,SERIES 109,SIZE 1 THRU 5
MATERIAL SEE CALLOUTS		SIZE A1	APPLICATION SPEC - CAGE CODE 00779 DRAWING NO 1757831 RESTRICTED TO -
		SCALE 4:1	SHEET 2 OF 2 REV B

# Mouser Electronics

Authorized Distributor

Click to View Pricing, Inventory, Delivery & Lifecycle Information:

[TE Connectivity:](#)

[1757831-6](#)