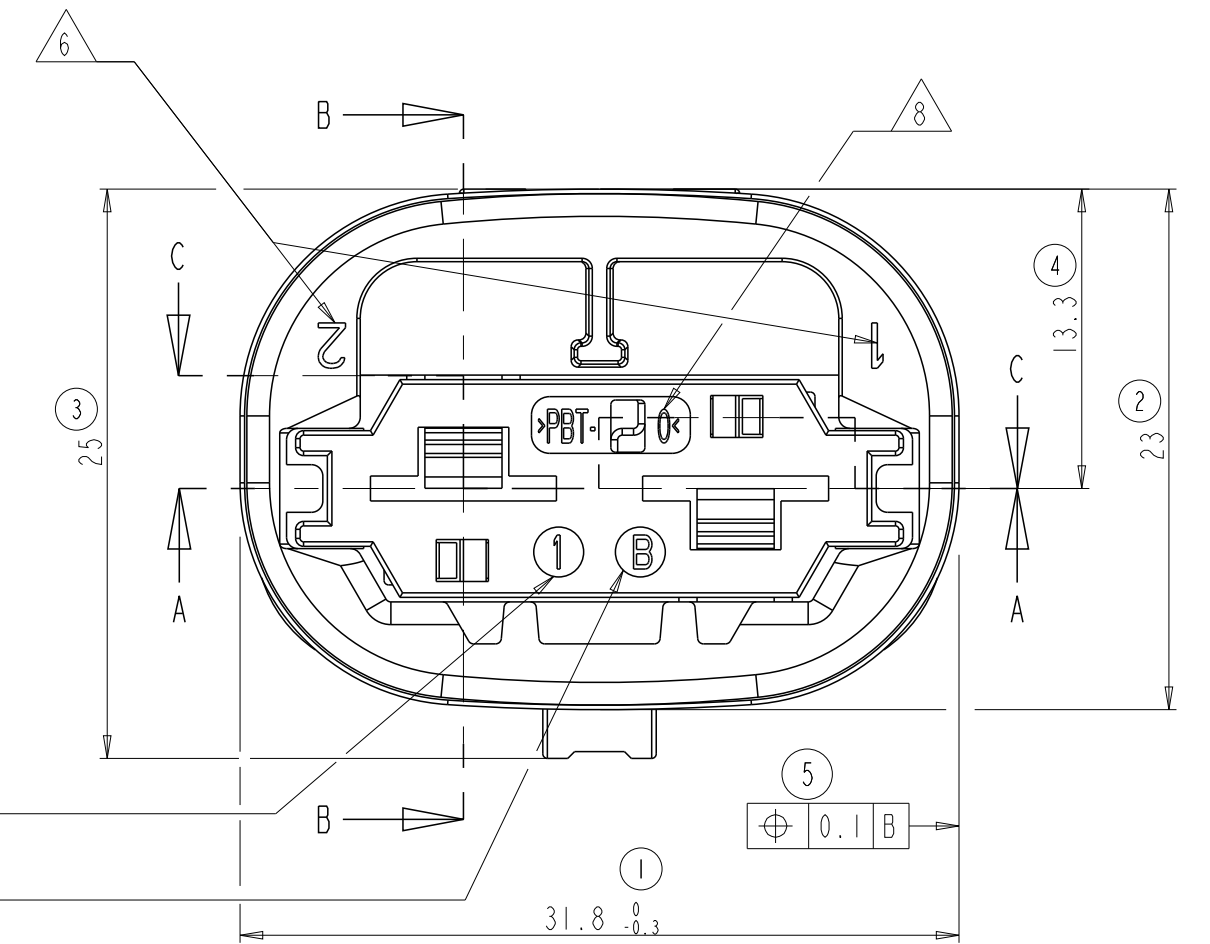
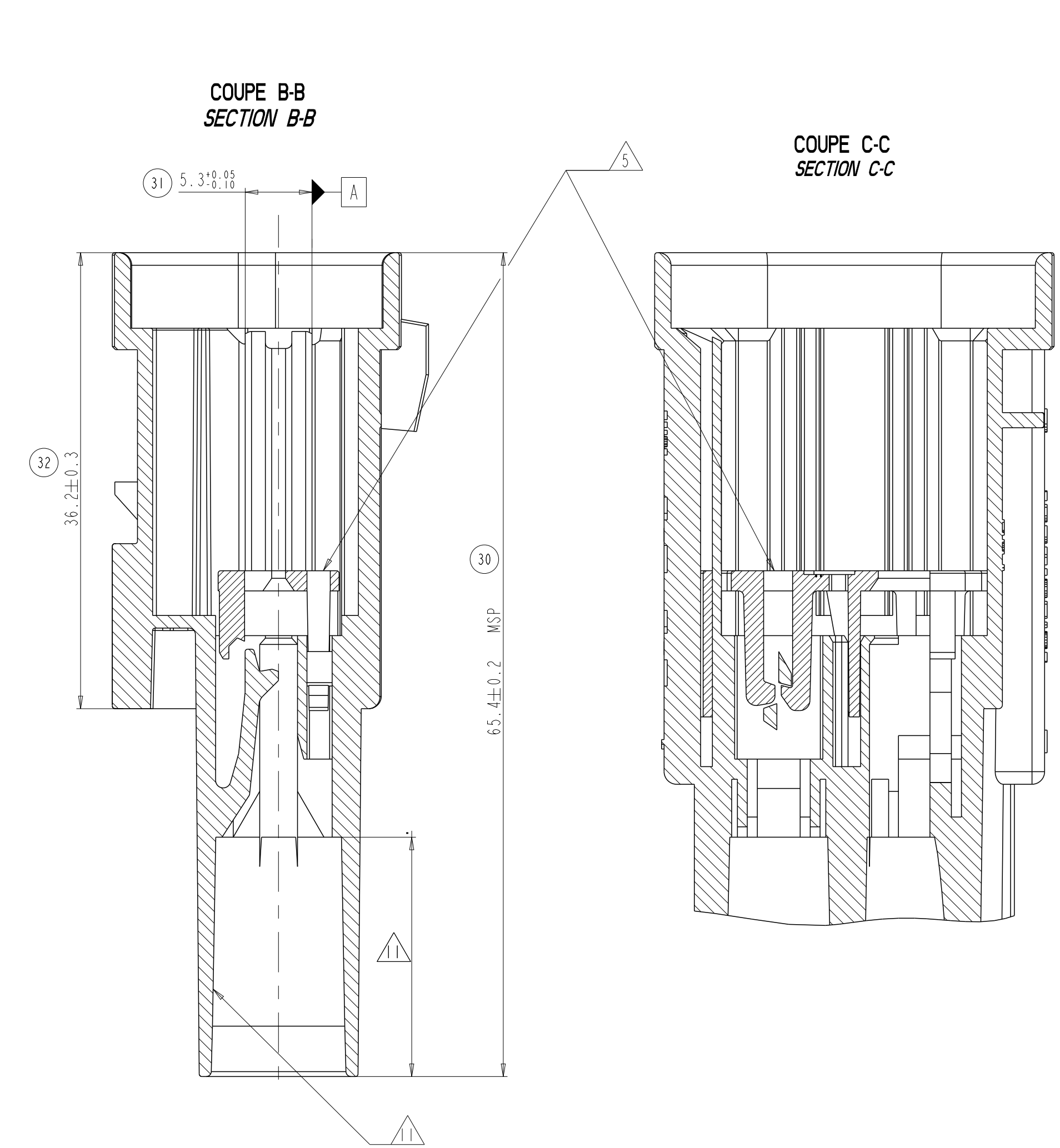
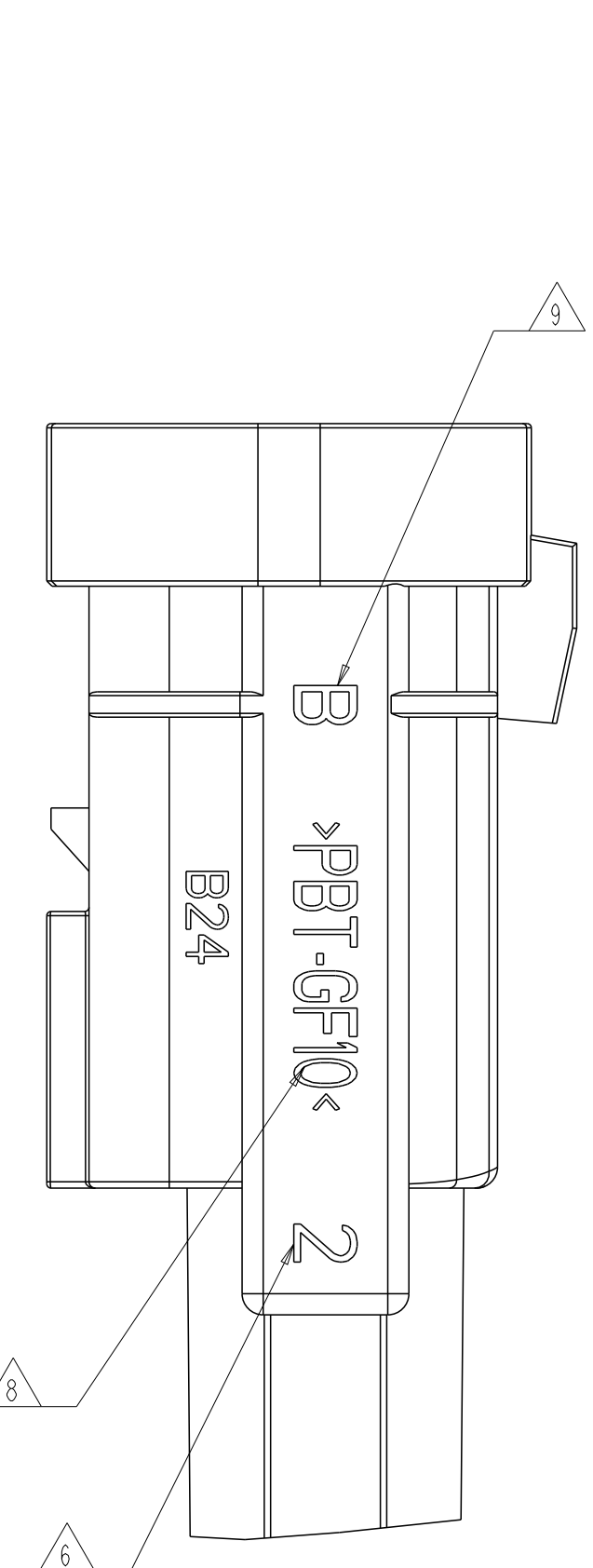
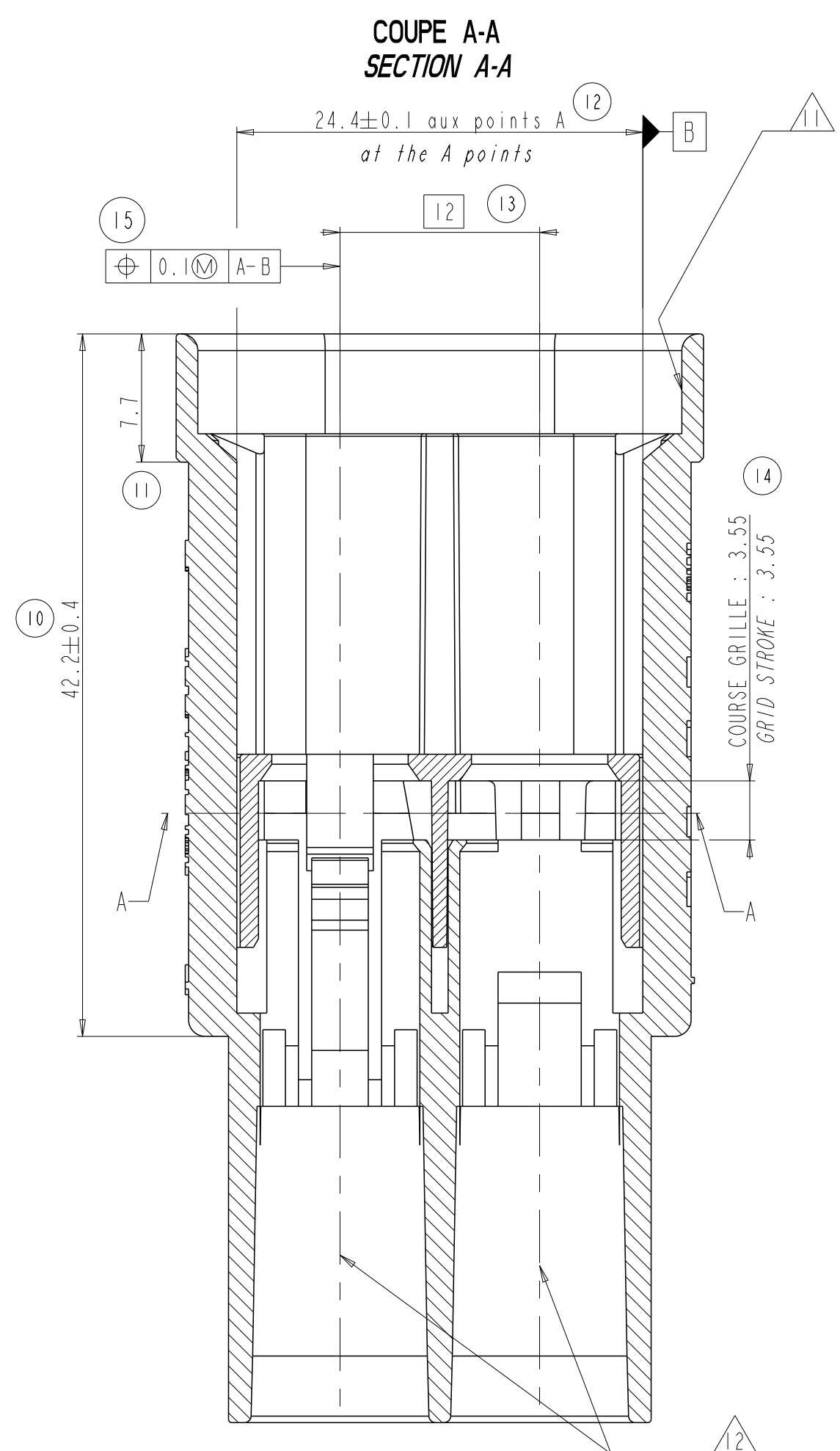
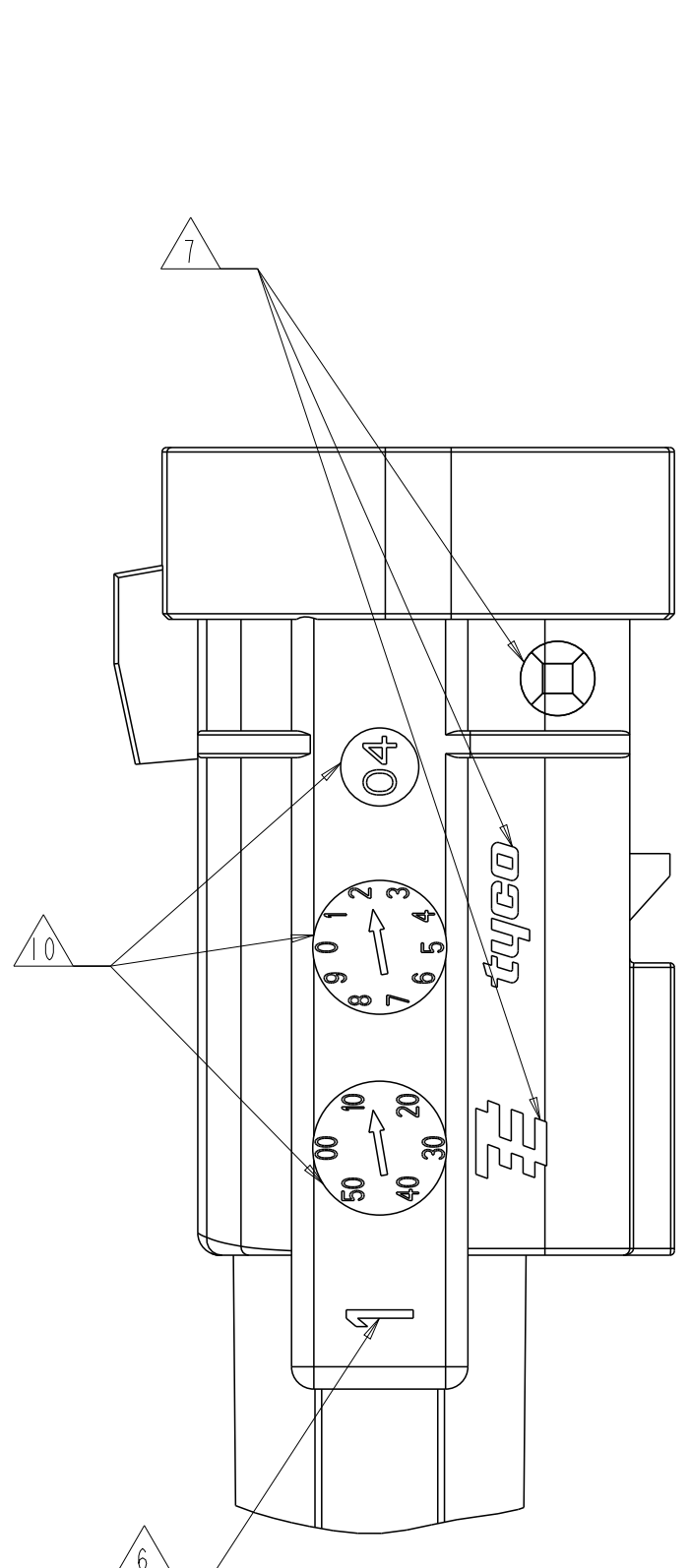


REVISIONS					
N°	LTN	DESCRIPTION MODIFICATIONS	DATE	OWN	APPR.
C		FIRST ISSUE - TE DRW BOARD	29JUN2005	PCS	JDr
D		INTER BOX LOCKING DEVICE MODIFICATION	21DEC2006	PCS	JDr
E		REFERENCE PRONER DELETED	29NOV2010	PCS	JDr
F		TOLERANCE UPDATED FR DIM REF 10 AND 32	29MAY2018	DB	XR

ECHELLE 1000  
 SCALE : 1000



NOTE / NOTA		
N° / Nr	DESIGNATION	DESCRIPTION
1	DISPOSITIF D'ACCROCHAGE	INTER-BOX LOCKING DEVICE
2	DEPOUILLES GENERALES COMPRISES DANS LES TOLERANCES	GENERALE SLOPS IN TOLERANCES
3	REPERE No MOULE 3 ET +	MOLD No 3 AND +, MARKING
4	REPERE No EMPREINTE MOULE	MOLD CAVITY No MARKING
5	GRILLE DE DETECTION LIVREE PRE-MONTEE	DETECTION GRID PRE-MOUNTED DELIVERED
6	REPERS ALVEOLES	CAVITIES MARKING
7	LOGO FOURNISSEUR EN RELIEF DE 0.2mm - PRONER SUR MOULE No1 - TE SUR MOULE No2 - TE SUR MOULE No 3 ET + SUIVANT I.A. SPEC 1-15995-1	SUPPLIER LOGO RAISED, HEIGHT 0.2mm - PRONER ON MOLD No1 - TE ON MOLD No2 - TE ON MOLD No 3 AND + ACCORDING SPEC 1-15995-1
8	MARQUAGE MATIERE	MATERIAL DESIGNATION MARKING
9	INDICE MAJEUR DE MODIFICATION EN RELIEF DE 0.2mm	MAJOR MODIFICATION CODE RAISED, HEIGHT 0.2mm
10	3 DATEURS : SEMAINES/ANNEES EN RELIEF DE 0.2mm	3 DATE CODE : WEEK/YEAR, RAISED, HEIGHT 0.2mm
11	ZONE D'ETANCHEITE POLIE : SANS BAVURE, MARQUE OU MANQUE MATIERE	POLISHED SEAL LOCATION WITHOUT FLASH OR PLASTIC DEFORMATION
12	ALVEOLES PLAN TE N° : 1544995 PLAN PSA STE N° : 9641756399	TE CAVITIES DRAWING N° : 1544995 PSA CAVITIES STE N° : 9641756399
13	CDC CONNECTIQUE PSA : No 9629966099	PSA SPECIFICATION : No 9629966099
14	PLAN D'INTERFACE TE No 1544681 PSA STE No 9638276999	INTERFACE DRAWING TE No 1544681 PSA STE No 9638276999
15	CAHIER DE PRECONISATIONS: TE No 411-15697 PSA STE No 9641781799	INSTRUCTION SHEET: TE No 411-15697 PSA STE No 9641781799

CARACTERISTIQUES MECANQUES PRINCIPALES	VALEURS
MAINES MECHANICAL SPECIFICATIONS	RESULTS
EFFORT D'INSERTION LANGUETTE / ALVEOLE (AVEC JOINT) : F < 35N TAB / CAVITY MATING FORCE (WITH SEAL) : F < 35N	27 N MAXI 27 N MAXI
EFFORT DE FERMETURE DU DV : 20N<F<40N SECONDARY-LOCK CLOSING FORCE : 20N<F<40N	39 N MAXI 39 N MAXI
EFFORT D'ACCOUPLMENT PC/PL : F < 80N REC HOUSING / TAB HOUSING CONNECTION FORCE : F < 80N	73 N MAXI 73 N MAXI

REFERENCES TE POUR CABLEURS			
TE PART NUMBERS FOR WIRING MANUFACTURER			
COMPOSANTS	REFERENCES	MATIERE	COULEUR
Langulette / Tab 8mm NGI Section 3 à 6 mm <sup>2</sup> Wire section 3 to 6 mm <sup>2</sup>	1544332-1	Laiton pré-étamé Pre-finned brass	/
Langulette / Tab 8mm NGI Section 7 à 10 mm <sup>2</sup> Wire section 7 to 10 mm <sup>2</sup>	1544333-1	Laiton pré-étamé Pre-finned brass	/
Joint unifil à sertir Single wire seal Section 3 à 6 mm <sup>2</sup> Wire section 3 to 6 mm <sup>2</sup>	1544316-1	Silicone 50sh A autolubrifié Silicone 50sh A self-lubricated	VERT Green
Joint unifil à sertir Single wire seal Section 7 à 10 mm <sup>2</sup> Wire section 7 to 10 mm <sup>2</sup>	1544316-2	Silicone 50sh A autolubrifié Silicone 50sh A self-lubricated	ORANGE Orange
Bouchon Bundle	1544316-3	Silicone 50sh A non-lubrifié Silicone 50sh A no-lubricated	BLANC White

B	I	GRILLE DE DETECTION (DV) Detection Grid (DV)	PBT GF-10	JAUNE Yellow
A	I	PORTE-LANGUETTE Tab Housing	PBT GF-10	VOIR TABLEAU See table
Rep	Oté	DESIGNATION Description	MATIERE Material	COULEUR Color

REFERENCES TE ET CODAGES COULEURS ASSOCIES		
TE PART NUMBERS AND ASSOCIATED CODING COLOR		
1544334-1	1544334-2	1544334-3
7±0.1 (40)	3.5±0.05 (41)	3.5±0.05 (42)
NOIR / BLACK	BLEU / BLUE	GRIS / GREY

THIS DRAWING IS A CONTROLLED DOCUMENT.  
 CE PLAN EST UN DOCUMENT CONTROLÉ PAR AND INCORPORATED.  
 ALL EDITIONS OF THIS DRAWING, INCLUDING REVISIONS, REMAIN THE PROPERTY OF AND INCORPORATED.  
 DIMENSIONS: mm

TOLERANCES UNLESS OTHERWISE SPECIFIED (SUIVI NO DE DECIMALES):  
 0 P/LC/DEC: ±0.2  
 1 P/LC/DEC: ±0.2  
 2 P/LC/DEC: ±0.2  
 3 P/LC/DEC: ±0.2  
 4 P/LC/DEC: ±0.2

FINISH: -  
 MATERIAL: SEE TABLE

DMN/BESSINE 29JUN2005  
 P. CHABLES 29JUN2005  
 L. CORONELLI 29JUN2005  
 APPROUVE / DATED

PRODUCT SPEC: PRODUCT 108-15346  
 APPLICATION SPEC: APPLICATION 411-15697

WEIGHT: 411-15697  
 MASSE APPROX. 14 gr

TE Connectivity  
**TE**

ORTE-LANGUETTES 2V 8mm NGI ETANCHE  
 2 WAY SEALED 8mm NGI TAB HOUSING

SIZE: A1  
 CAGE CODE: 00779  
 DRAWING NO: 1544334

RESTRICTED TO

CUSTOMER DRAWING / PLAN CLIENT FOUR REFERENCE: 1544334

SCALE: 1:1  
 SHEET: 1 OF 1  
 REV: F

# Mouser Electronics

Authorized Distributor

Click to View Pricing, Inventory, Delivery & Lifecycle Information:

[TE Connectivity:](#)

[1544334-1](#)