

REV. Status

REVISION -
10/22/99 TS

REVISION A
REV'D SCHEMATIC
SEE PG. 2
11/17/99 TS

REVISION B
ADDED RoHS &
UPDATED LABELS.
DELETED CSA#
LR69223
02/15/06 MP

REVISION C
CHG TUV FILE #
WAS 810/89
(EN60950 & VDE
0551). CLARIFIED
PIN OUTS
03/30/07 YS

REVISION D
UPDATED SAFETY
11/15/07 YS

REVISION E
UPDATE LOGO'S
TO STD IED.
Dielectric
Withstand WAS
Hi-Pot 3500.
4-30-08 EB

REVISION F
UPDATED SAFETY
10/19/12 MP

REVISION G
SAFETY NOTES
ADDED
03/20/13 MP

TOLERANCES (mm)	
≤ 4	± 0.2
4 ≤ 20	± 0.3
20 ≤ 50	± 0.4

PREPARED BY:

Mathi Pitchai

ENGINEER:

Mathi Pitchai

SAFETY ENGINEER

B. O'Connell

APPROVED:

Peter Brune

THREE FLANGE DUAL PRIMARY 10VA PC BOARD POWER TRANSFORMER

A. Electrical Specifications (@ 25° C)

1. Maximum Power; 10VA
2. Primary Voltage and Frequency; 115/230VAC 50/60Hz
3. Secondary RMS rating: See tabulation in Table A
4. Voltage Regulation; 25% TYP @ full load to no load
5. Temperature Rise(normal op. cond.); 45°C TYP (60°C MAX)
6. A 10% Input Voltage change will proportionally affect transformer sec voltage. The max. allowed wdg temp under abnormal condition is 155°C
7. Insulation Resistance:
100MΩ MIN @ 500VDC, Pri to Sec, Pri to Core, Sec to Core
8. Dielectric Withstand: 3750Vrms 1 minute @ Pri to Sec
1500Vrms 1 minute @ Pri to Core, Sec to Core

B. Marking; includes input and output ratings (per sheet 2)

C. Safety:

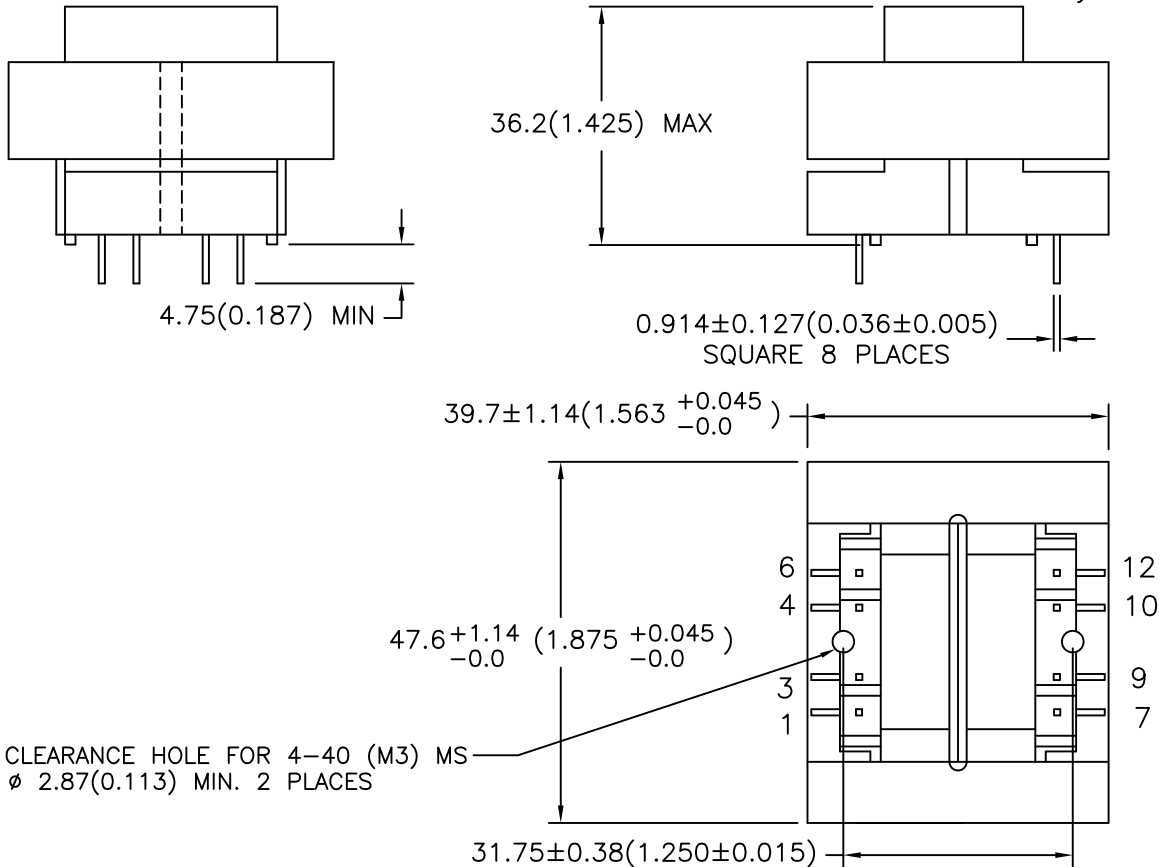
Conforms to construction requirement of:
UL5085-1, -2; CSA No. 66.1, 66.2
(from Datecode 1244 and onwards).
UL506, UL1411
UL1446 (CLASS 130(B))
EN61558-1, -2-6

Safety certificate file reference:
UL E138028, E79781, E92957
CSA 175561

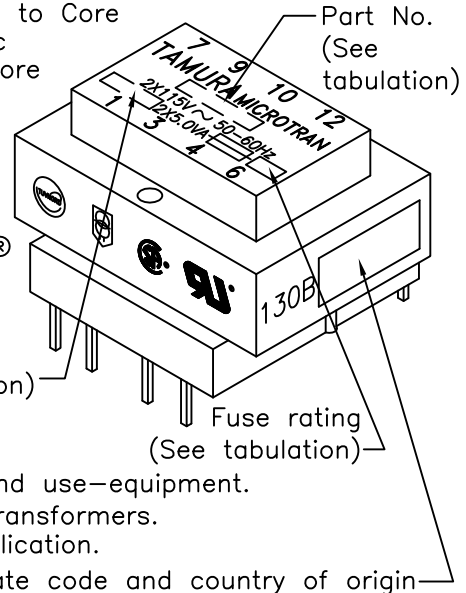
TUV (P.S.) 4478013415698

Non short-circuit proof safety isolating transformer.
Intended for mounting on PCBs and for building into end use-equipment.
Not intended for series/parallel connection with other transformers.
Mounting hardware may reduce spacing in end use application.

D. Mechanical Specifications:



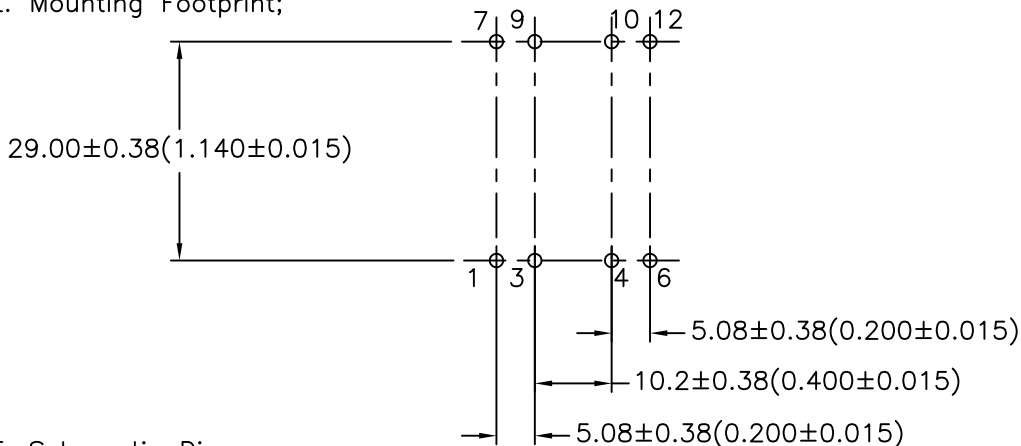
MODEL NUMBER
PL10-XX-130B



NOTE: Board washing is not recommended for these parts

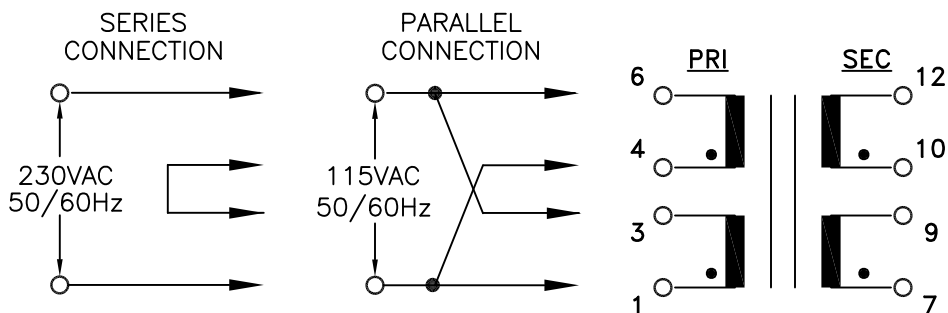
ENGINEER:	DRAWING CONTROL NO.	REV	MODEL DESCRIPTION	MODEL SPECIFICATION
Mathi Pitchai	P-A1-12227	G	POWER TRANSFORMER	PL10-XX-130B
SAFETY ENGINEER	CONTENTS OF THIS DRAWING ARE SUBJECT TO CHANGE WITHOUT PRIOR NOTICE			DIM: mm[In] SCL: 1/1 SH: 1 OF 2
B. O'Connell	TAMURA CORPORATION OF AMERICA 1040 SOUTH ANDREASEN DRIVE, #100 ESCONDIDO, CA. 92029 (951) 699-1270 FAX 7607400536			
APPROVED:	PROPRIETARY NOTICE: THIS DRAWING PRINT OR DOCUMENT AND SUBJECT MATTER DISCLOSED HEREIN ARE PROPRIETARY ITEMS TO WHICH TAMURA RETAINS THE EXCLUSIVE RIGHT OF DISSEMINATION, REPRODUCTION, MANUFACTURE AND SALE. THIS DRAWING, PRINT OR DOCUMENT IS SUBMITTED IN CONFIDENCE FOR CONSIDERATION BY THE RECIPIENT ALONE UNLESS PERMISSION FOR FURTHER DISCLOSURE IS EXPRESSLY GRANTED IN WRITING.			
Peter Brune				

E. Mounting Footprint;

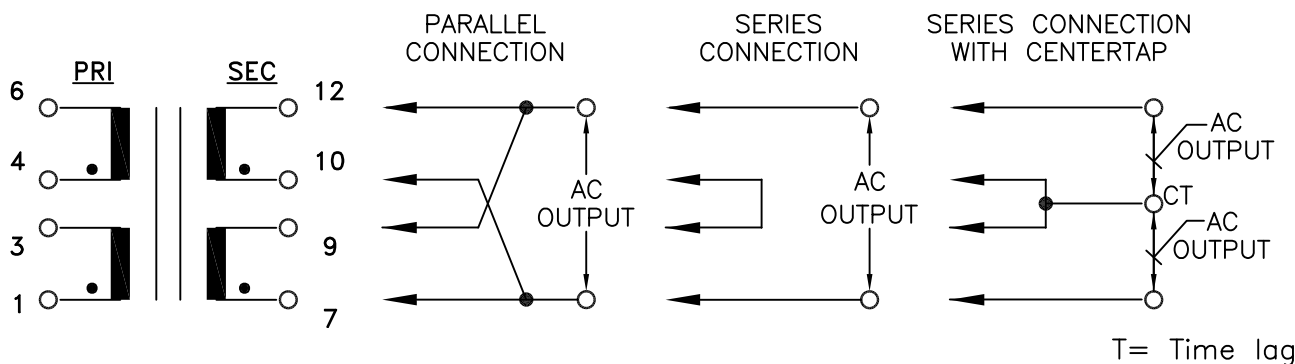


F. Schematic Diagram:

PRIMARY INPUT CONNECTIONS



SECONDARY OUTPUT CONNECTIONS



G. Table A:

PART NO.	PARALLEL CONNECTION		SERIES CONNECTION		SERIES WITH CT		OUTPUT	SECONDARY FUSE REQ'D EACH WINDING
	AC VOLTS	RMS AMPS	AC VOLTS	RMS AMPS	AC VOLTS	RMS AMPS		
PL10-10-130B	5.0	2.00	10.0	1.00	5.0-CT-5.0	1.00	2X5.0V	T 1.00A
PL10-12-130B	6.3	1.60	12.6	0.80	6.3-CT-6.3	0.80	2X6.3V	T 0.80A
PL10-16-130B	8.0	1.25	16.0	0.62	8.0-CT-8.0	0.62	2X8.0V	T 0.63A
PL10-20-130B	10.0	1.00	20.0	0.50	10.0-CT-10.0	0.50	2X10.0V	T 0.50A
PL10-24-130B	12.0	0.84	24.0	0.42	12.0-CT-12.0	0.42	2X12.0V	T 0.50A
PL10-28-130B	14.0	0.72	28.0	0.36	14.0-CT-14.0	0.36	2X14.0V	T 0.40A
PL10-36-130B	18.0	0.56	36.0	0.28	18.0-CT-18.0	0.28	2X18.0V	T 0.315A

PREPARED BY:
Mathi Pitchai

ENGINEER:
Mathi Pitchai

SAFETY ENGINEER:
B. O'Connell

APPROVED:
Peter Brune

DRAWING CONTROL NO. P-A1-12227	REV G	MODEL DESCRIPTION POWER TRANSFORMER	MODEL SPECIFICATION PL10-XX-130B	
			DIM: mm[In] SCL: 1/1 SH: 2 OF 2	
CONTENTS OF THIS DRAWING ARE SUBJECT TO CHANGE WITHOUT PRIOR NOTICE		TAMURA CORPORATION OF AMERICA 1040 SOUTH ANDREASEN DRIVE, #100 ESCONDIDO, CA. 92029 (951) 699-1270 FAX 7607400536		
PROPRIETARY NOTICE: THIS DRAWING PRINT OR DOCUMENT AND SUBJECT MATTER DISCLOSED HEREIN ARE PROPRIETARY ITEMS TO WHICH TAMURA RETAINS THE EXCLUSIVE RIGHT OF DISSEMINATION, REPRODUCTION, MANUFACTURE AND SALE. THIS DRAWING, PRINT OR DOCUMENT IS SUBMITTED IN CONFIDENCE FOR CONSIDERATION BY THE RECIPIENT ALONE UNLESS PERMISSION FOR FURTHER DISCLOSURE IS EXPRESSLY GRANTED IN WRITING.				

Mouser Electronics

Authorized Distributor

Click to View Pricing, Inventory, Delivery & Lifecycle Information:

[Tamura:](#)

[PL10-36-130B](#) [PL10-16-130B](#) [PL10-24-130B](#) [PL10-20-130B](#) [PL10-10-130B](#) [PL10-12-130B](#) [PL10-28-130B](#)