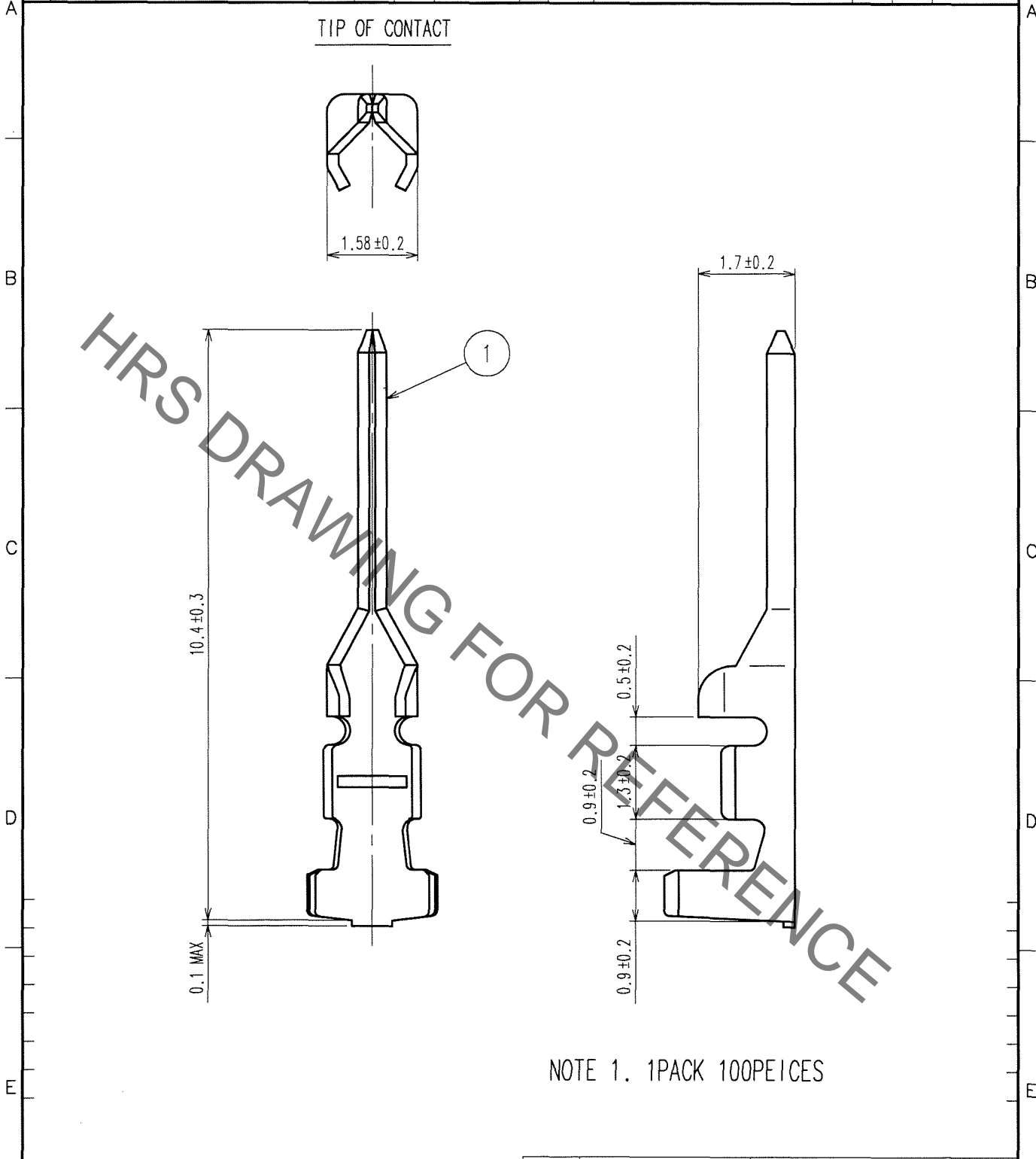


Apr.1.2020 Copyright 2020 HIROSE ELECTRIC CO., LTD. All Rights Reserved.
 In case of consideration for using Automotive equipment / device which demand high reliability, kindly contact our sales window correspondents.

1		2			3			4		
COUNT	DESCRIPTION OF REVISIONS	BY	CHKD	DATE	COUNT	DESCRIPTION OF REVISIONS	BY	CHKD	DATE	
△					△					
△					△					
△					△					



NOTE 1. 1PACK 100PEICES

1	PHOSPHOR BRONZE	TIN PLATED 1μ m min
---	-----------------	---------------------

NO.	MATERIAL	FINISH, REMARKS	NO.	MATERIAL	FINISH, REMARKS
CODE NO. (OLD)					

DRAWN	DESIGNED	CHECKED	APPROVED	RELEASED
A.MIYAZAKI	A.MIYAZAKI	<i>H. Umehara</i>	<i>J. Oma</i>	
'06.08.03	'06.08.03	<i>06.08.05</i>	<i>06.08.07</i>	

TO

 SCALE 10 : 1 UNITS mm	DRAWING NO. EDC4-081374-01 HIROSE ELECTRIC CO.,LTD.	PART NO. DF11-EP2428PC CODE NO. CL543-0616-7	1 1
------------------------------------	---	---	--------