

# Neon Indicators

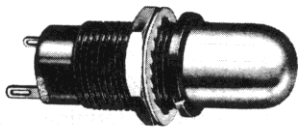
TWO TERMINALS—FULLY INSULATED  
WITH BUILT IN RESISTORS  
FOR MOUNTING IN 15/32" CLEARANCE HOLE

MEET OR EXCEED ENVIRONMENTAL AND OPERATIONAL REQUIREMENTS  
OF MIL-L-6723 AND MIL-L-3661B

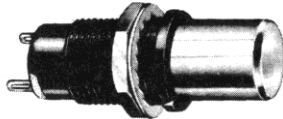
When connecting a neon light to a circuit having one side grounded, always connect the hot side of the circuit to the terminal marked + (Center Contact).



T-2  
C7A (NE-2D)  
C9A (NE-2J)  
MIDGET  
FLANGE BASE  
See lamp ratings  
on page L.



137-8836-0931-552  
Stovepipe



137-8836-1531-552  
Cylindrical

## FEATURES

- **Rugged-phenolic insulated:** The socket, lamp, and all connections are well insulated from the mounting bushing by means of phenolic material of military specification grade.
- **Ultra-compact;** conserves space and weight.
- **Lens cap assembly unscrews** from front of panel for easy replacement of the lamp.
- The shank of the lens holder is crimped in 3 evenly spaced places to secure the lamp.
- **Anti-rotation (locked) construction.**

## MATERIAL AND FINISHES

- **Mounting Bushing:** Aluminum, black anodize finish. Optional—clear anodize finish.
- **Internal-tooth Lockwasher and Mounting nut:** Steel, cadmium plated with yellow iridescent chromate finish.
- **Terminals:** Brass, hot tinned with elongated slot.
- **Lens:** High impact plastic.

How to designate the Three Digit Part Number Suffix (—XXX).

Finish	Resistor	Hardware
5 — black anodize	1 — 22K* (with NE-2J lamp)	2 — steel
6 — clear anodize	3 — 33K (with NE-2J lamp)	
	5 — 62K* (with NE-2D lamp)	
	7 — 100K (with NE-2D lamp)	

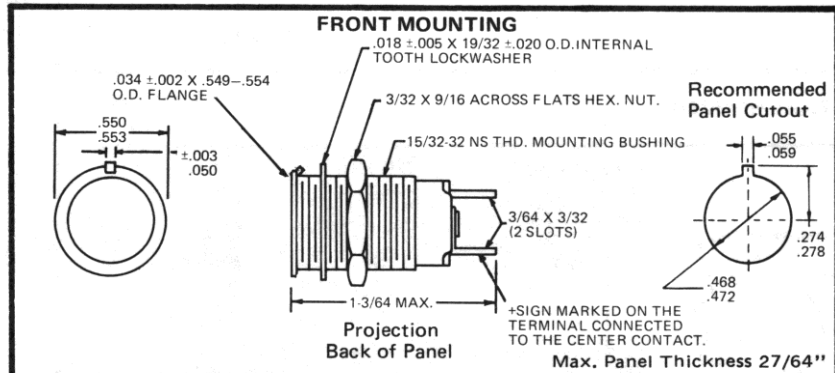
Example: 137-8836-0931-672 (clear anodize finish, 100K resistor, steel hardware).

\*Standard value

These assemblies are similar in every respect to the MS assemblies (137-8836-0931-552 Series) listed on the next page, except that they offer **optional** features not covered by MS. Finishes: Standard—black anodize; **optional**—clear anodize.

## 137 SERIES

### BASE PART NUMBERS

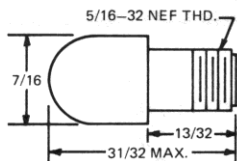


137-8836-09-552  
with built in 62K resistor\*  
accommodates C7A (NE-2D)

137-8864-09-512  
with built in 22K resistor\*  
accommodates C9A (NE-2J)

### CAP PART NUMBERS

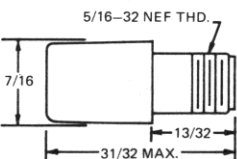
### COMPLETE ASSEMBLY PART NUMBERS



**STOVEPIPE**  
137-0931  
transparent

137-8836-0931-552

137-8864-0931-512



**CYLINDRICAL**  
137-1531  
transparent

137-8836-1531-552

137-8864-1531-512

For legends on flat faced lens, see page P.

\*Standard value of patented built in resistors; other values optional.

Part numbers listed in this catalog designate products with RED lens. For ordering lens colors other than red, consult chart on page 4C.

Order complete with lamp to be assured of receiving the indicator light and correct lamp together for immediate use.

Part numbers shown in gray are normally in inventory at your Dialight Distributor.

# Mouser Electronics

Authorized Distributor

Click to View Pricing, Inventory, Delivery & Lifecycle Information:

## Dialight:

[137-8864-09-510](#) [137-8836-09-570](#) [137-8864-09-512](#) [137-1533](#) [137-1535](#) [137-0937](#) [137-8836-09-550](#) [137-8836-09-803](#) [137-8864-09-530](#) [137-0931-003](#) [137-0933](#) [137-0935](#) [137-0931](#) [137-0936](#) [137-8864-09-532](#) [137-8836-09-572](#) [137-0937-003](#) [137-8836-0931-552](#) [137-8836-0937-552](#) [137-1531](#) [137-1537](#)