

## RJ45 socket insert - CUC-V04-BU-90 - 1407408

Please be informed that the data shown in this PDF Document is generated from our Online Catalog. Please find the complete data in the user's documentation. Our General Terms of Use for Downloads are valid (<http://phoenixcontact.com/download>)



RJ45 socket insert, Type: RJ45, IP20, Degree of protection: IP20, Number of positions: 8, CAT5, Material: Copper alloy, Connection method: Solder connection



### Key Commercial Data

|                                      |          |
|--------------------------------------|----------|
| Packing unit                         | 1 pc     |
| Weight per Piece (excluding packing) | 1.0 g    |
| Custom tariff number                 | 85366990 |
| Country of origin                    | Germany  |

### Technical data

#### Mechanical characteristics

|                             |                   |
|-----------------------------|-------------------|
| Standards/specifications    | IEC 60603-7       |
| Number of positions         | 8                 |
| Connection profile          | RJ45              |
| Insertion/withdrawal cycles | ≥ 750             |
| Connection method           | Solder connection |

#### Ambient conditions

|   |                  |
|---|------------------|
| Ambient temperature (operation)         | -40 °C ... 70 °C |
| Ambient temperature (storage/transport) | -40 °C ... 70 °C |
| Degree of protection                    | IP20             |

#### Material data

|  |              |
|--|--------------|
| Flammability rating according to UL 94 | V0           |
| Housing material                       | Copper alloy |

#### Electrical characteristics

|                     |   |
|---------------------|---|
| Number of positions | 8 |
|---------------------|---|

# RJ45 socket insert - CUC-V04-BU-90 - 1407408

## Technical data

### Electrical characteristics

|                       |       |
|-----------------------|-------|
| Nominal voltage $U_N$ | 50 V  |
| Nominal current $I_N$ | 1.5 A |

### Standards and Regulations

|  |             |
|--|-------------|
| Standards/regulations                  | IEC 60603-7 |
| Flammability rating according to UL 94 | V0          |

## Classifications

### eCl@ss

|            |          |
|------------|----------|
| eCl@ss 4.0 | 272607xx |
| eCl@ss 4.1 | 27260701 |
| eCl@ss 5.0 | 27260701 |
| eCl@ss 5.1 | 27260701 |
| eCl@ss 6.0 | 27260708 |
| eCl@ss 7.0 | 27440312 |
| eCl@ss 8.0 | 27440205 |
| eCl@ss 9.0 | 27440205 |

### ETIM

|          |          |
|----------|----------|
| ETIM 3.0 | EC001121 |
| ETIM 4.0 | EC001121 |
| ETIM 5.0 | EC000438 |

### UNSPSC

|               |          |
|---------------|----------|
| UNSPSC 6.01   | 31261501 |
| UNSPSC 7.0901 | 31261501 |
| UNSPSC 11     | 31261501 |
| UNSPSC 12.01  | 31261501 |
| UNSPSC 13.2   | 31261501 |

## Approvals

### Approvals

---

Approvals

EAC

---

# RJ45 socket insert - CUC-V04-BU-90 - 1407408

## Approvals

Ex Approvals

---

Approvals submitted

## Approval details

|     |
|-----|
| EAC |
|-----|

## Accessories

Accessories

Panel mounting frame

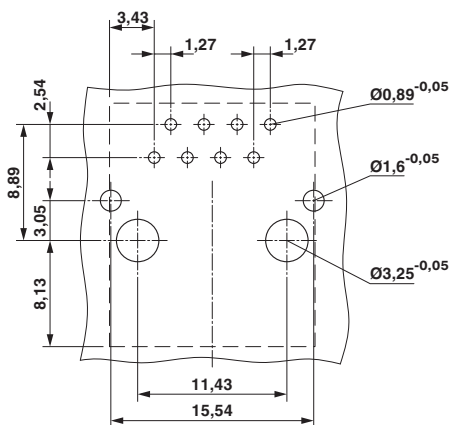
Panel mounting frames - CUC-V04-F-POBK-90 - 1407411



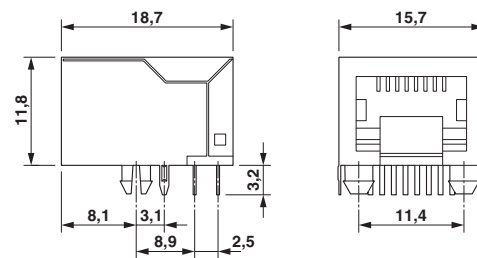
Panel mounting frames, Degree of protection: IP65/67, Material: Plastic

## Drawings

Drilling diagram



Dimensional drawing





# Mouser Electronics

Authorized Distributor

Click to View Pricing, Inventory, Delivery & Lifecycle Information:

[Phoenix Contact:](#)

[1407408](#)