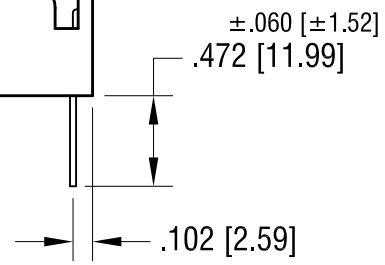
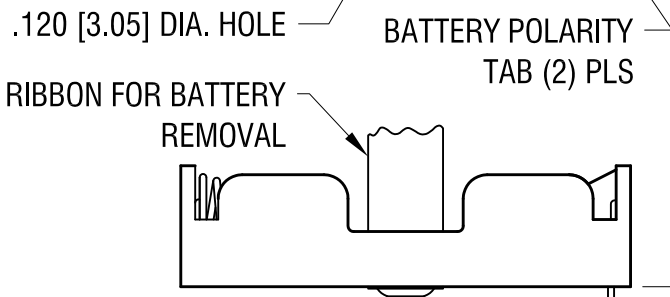
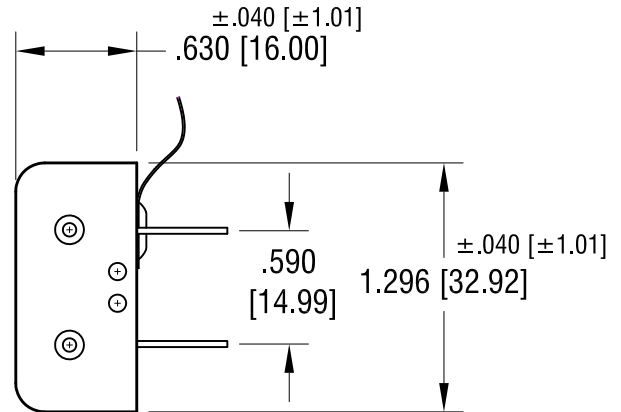
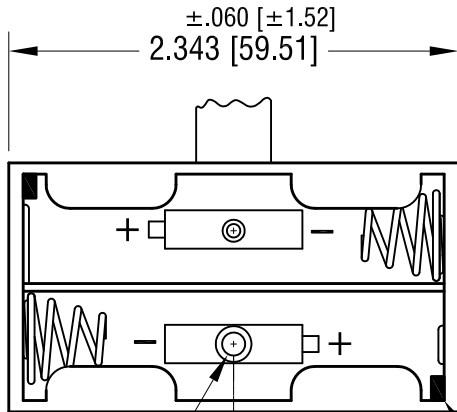
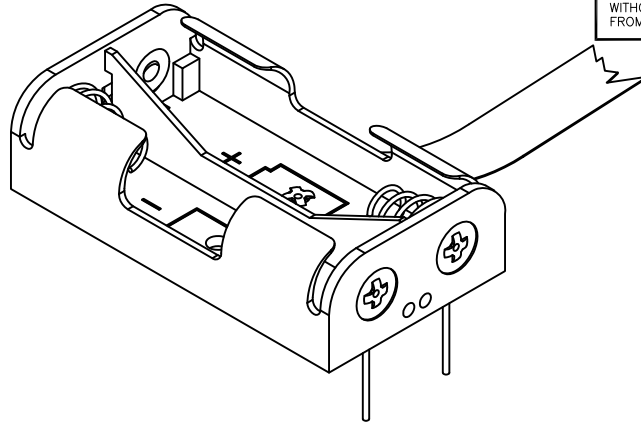
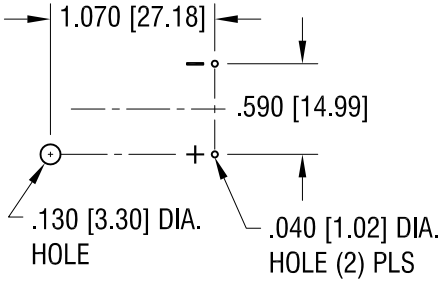


THIS DOCUMENT IS THE PROPERTY OF KEYSTONE ELECTRONICS CORP. AND SHALL NOT BE REPRODUCED, DISTRIBUTED OR USED AS A BASIS FOR MANUFACTURE WITHOUT PRIOR WRITTEN PERMISSION FROM KEYSTONE ELECTRONICS CORP.

**MOUNTING DETAIL**



**NOTE:**

- 1. HOLDER: MAT'L: POLYPROPYLENE
- SPRING: MAT'L: MUSIC WIRE, .025 [0.63] DIA.
- PC TERMINALS: MAT'L: BRASS, .032 [0.81] DIA.
- RIBBON: MAT'L: NYLON, RED

3.29.12	CHANGE AS PER ECN 12-039	D
11.10.11	CHANGE AS PER ECN 11-152	C
5.2.06	CHANGE AS PER ECN 06-026	B
DATE	DESCRIPTION	REV.

<b>KEYSTONE ELECTRONICS CORP.</b>			
www.keyelco.com • ASTORIA, N.Y. 11105-2017 • Tel (718) 956-8900			
PART NAME PC BATTERY HOLDER (2) 'AA' W/ RIBBON			
MATERIAL AS NOTED			
FINISH NICKEL PLATE		DRN BY BOONE	DATE 12.1.03
		APP'D LN	SCALE 1X
TOLERANCES DECIMAL ANGULAR	INCH [MM] ±.010 [±0.25] ± 1°	CODE C	DWG NO. 2462RB
			UNLESS OTHERWISE SPECIFIED

# Mouser Electronics

Authorized Distributor

Click to View Pricing, Inventory, Delivery & Lifecycle Information:

[Keystone Electronics:](#)

[2462RB](#)