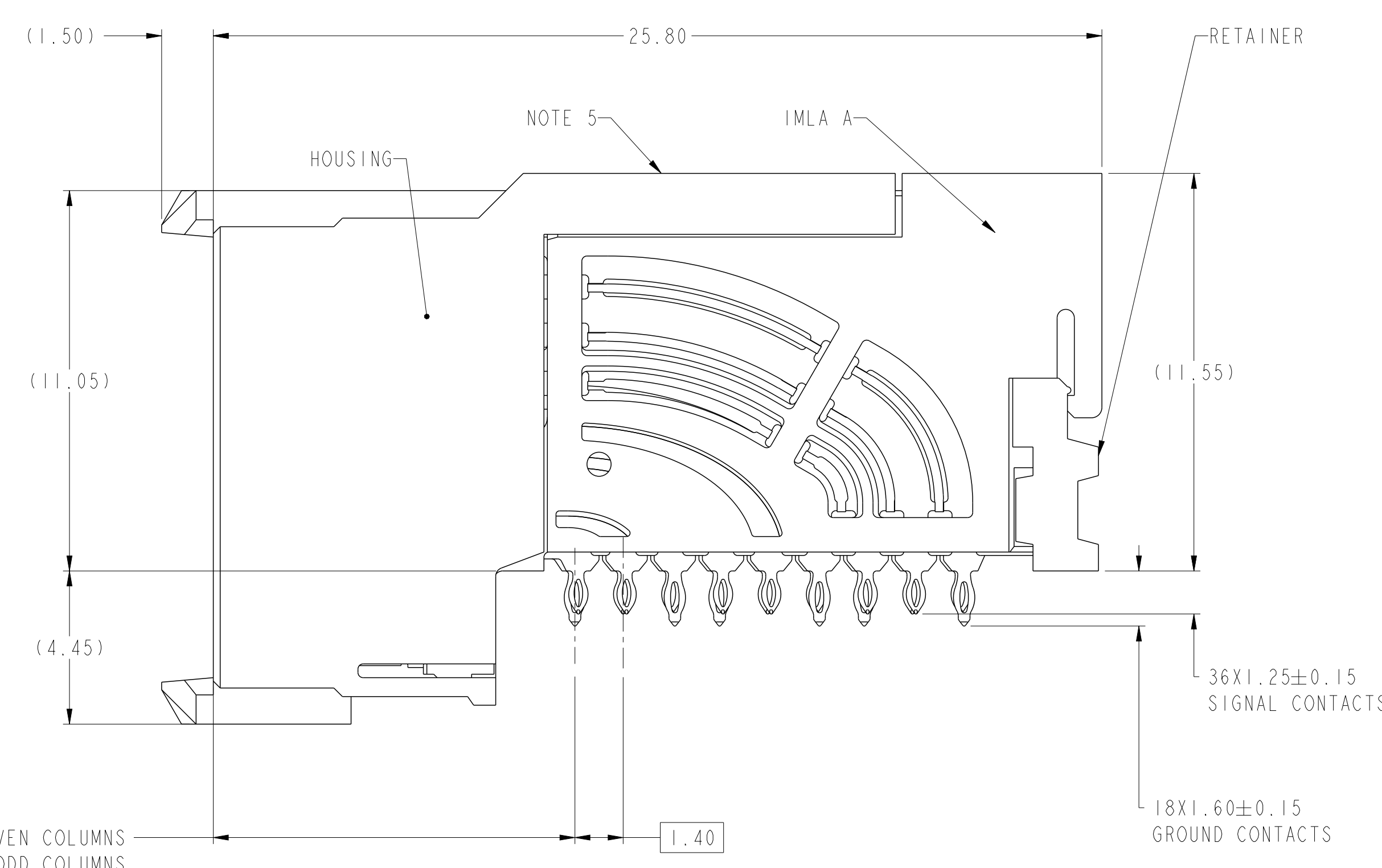
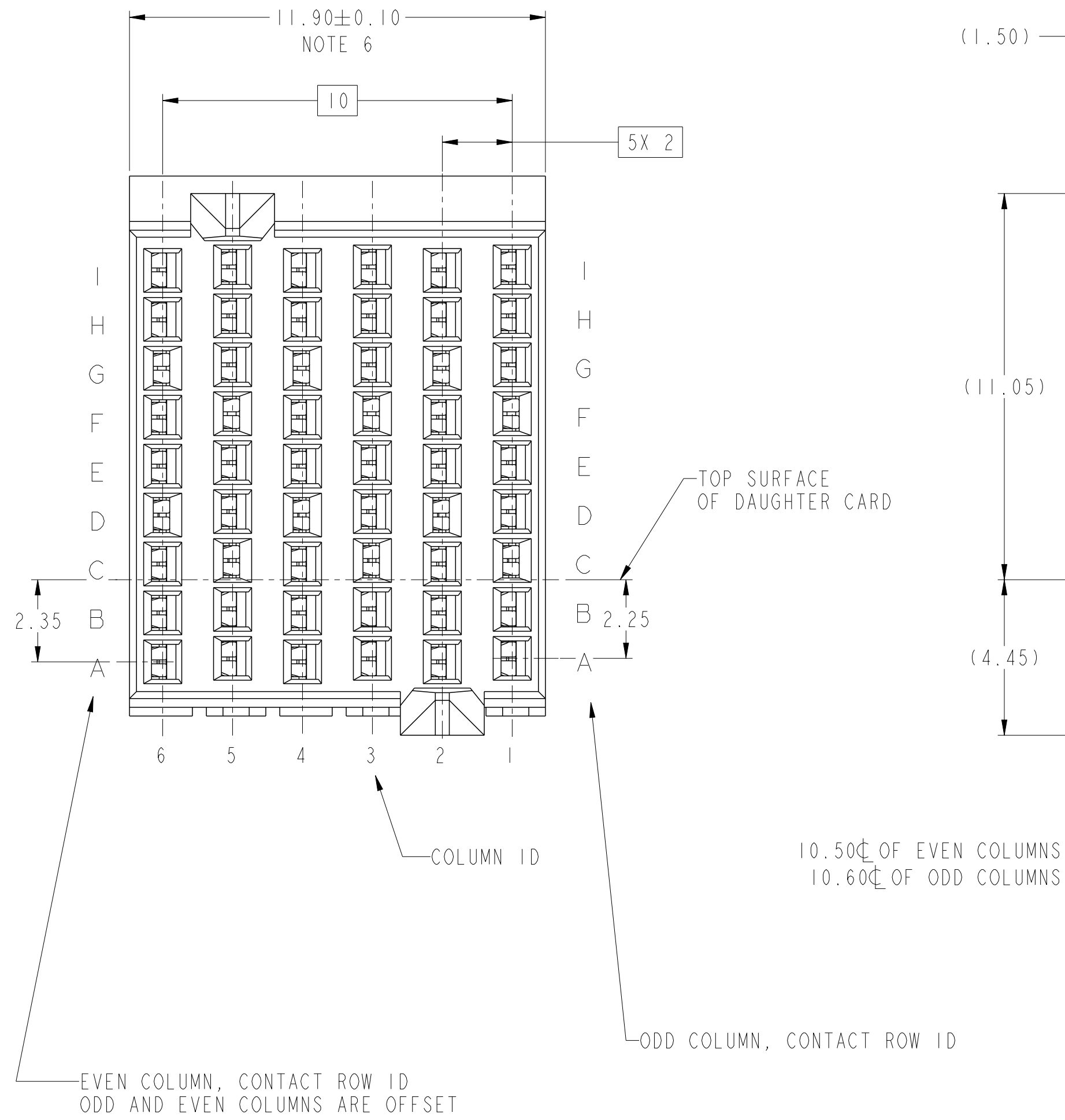


PRODUCT NUMBER  
SEE SHEET 3



Amphenol  
FCi

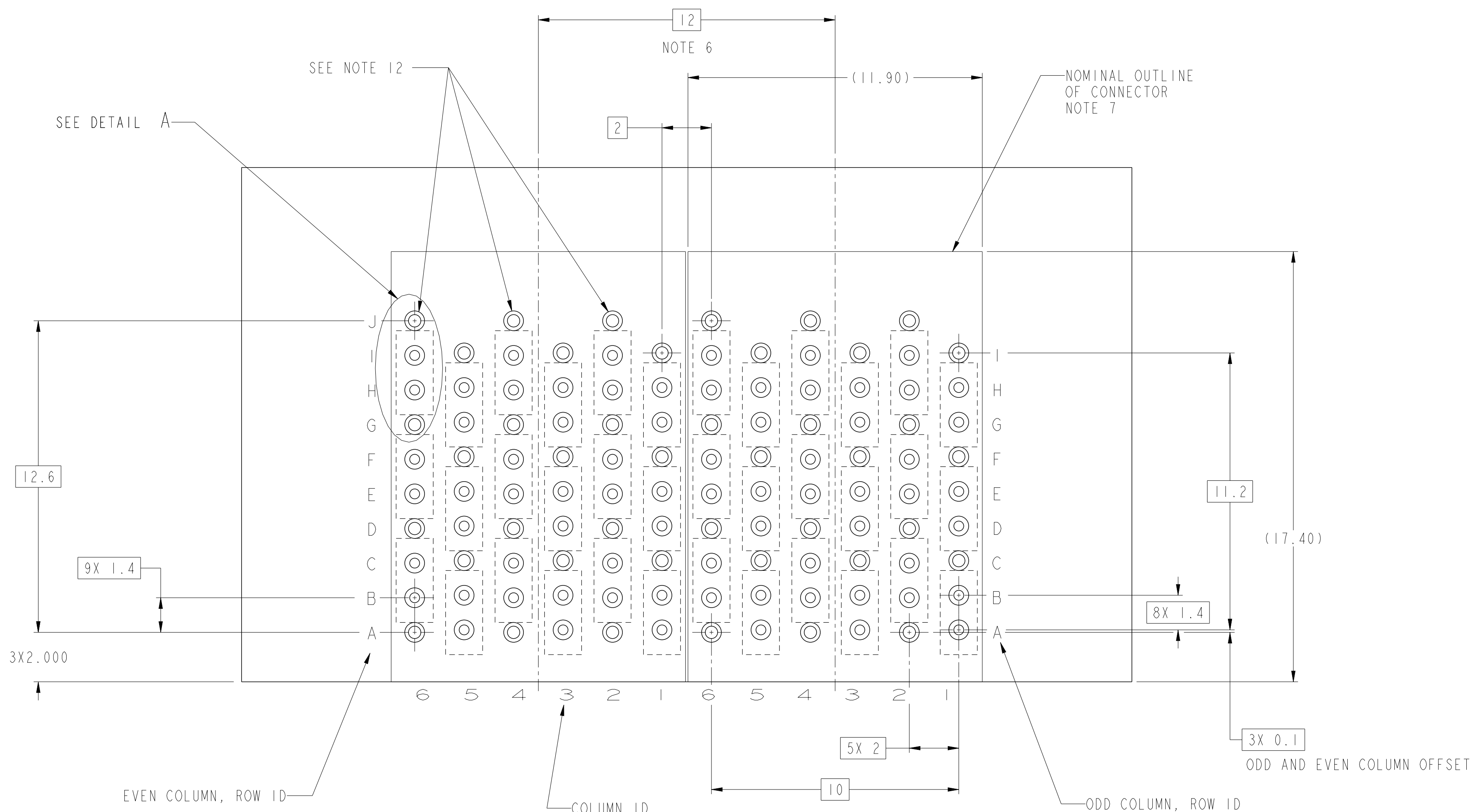
© 2016 AFci

spec ref	---	dr	Lin-Soo Ngwe	2012/11/15	projection	MM	size	A2	scale	1:1
tolerance std	ASME Y14.5M	eng	Terry Luo	2020/09/04			ecn no	ELX-DG-38252-1	rel level Released	rev E
TOLERANCES UNLESS OTHERWISE SPECIFIED		chr	-	product family			AirMax VSE			
surface	linear 0.X ±.3 0.XX ±.10 0.XXX ±.050 angular 0° ±°	appr	Heaven Cen	2020/09/17			title AIRMAX VS2 R.A. RECEPTACLE ASS'Y, 3 PAIR, 54 POS, 6 IMLA, 12MM, Small PF, GXT+	dwg no 10123420		

PDS: Rev :E

STATUS:Released

Printed: Sep 18, 2020

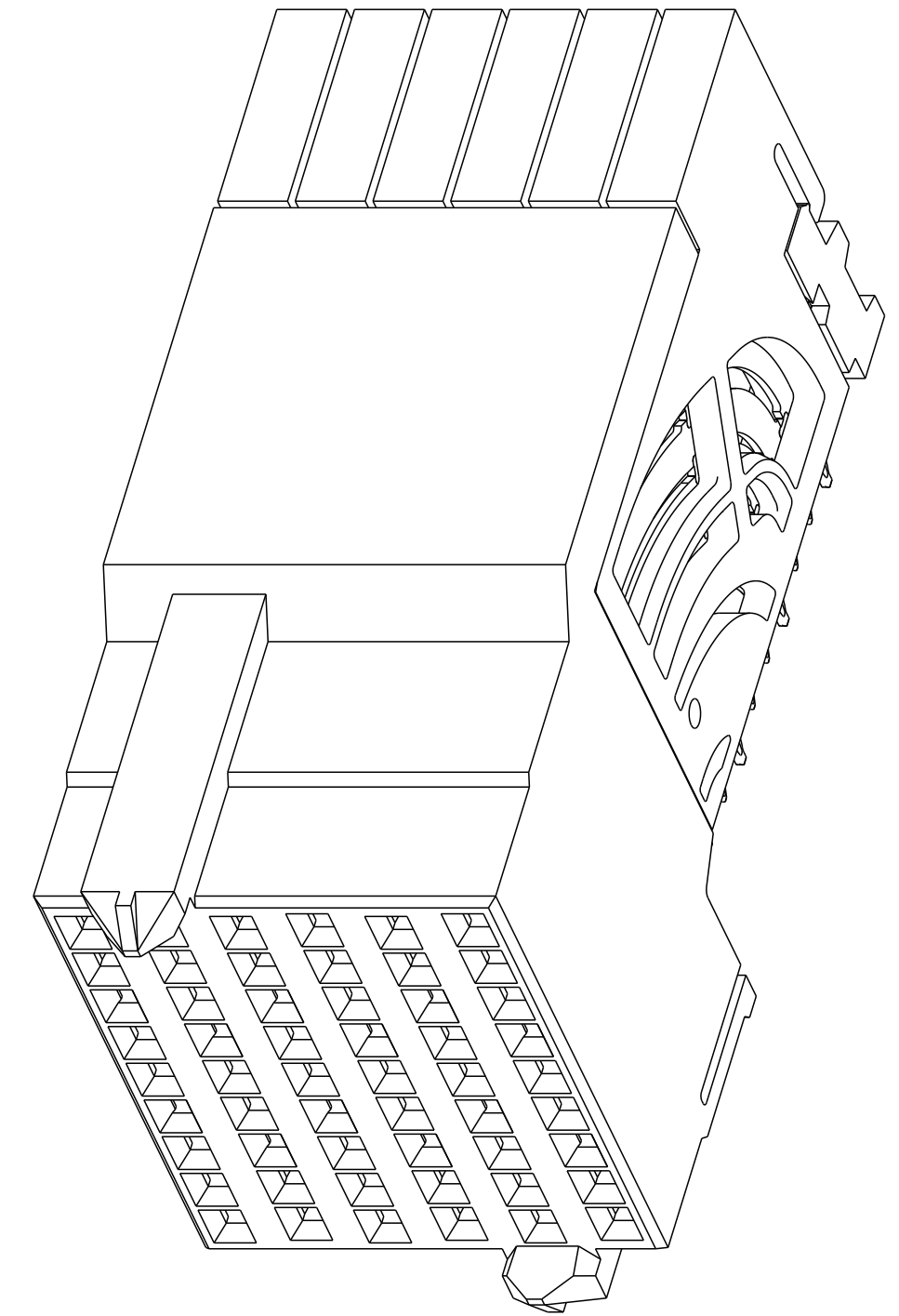


RECOMMENDED PCB LAYOUT  
FOR DIFFERENTIAL APPLICATIONS  
COMPONENT SIDE  
(TWO ADJACENT FOOTPRINTS SHOWN)  
NOTES 6, 8, & 11

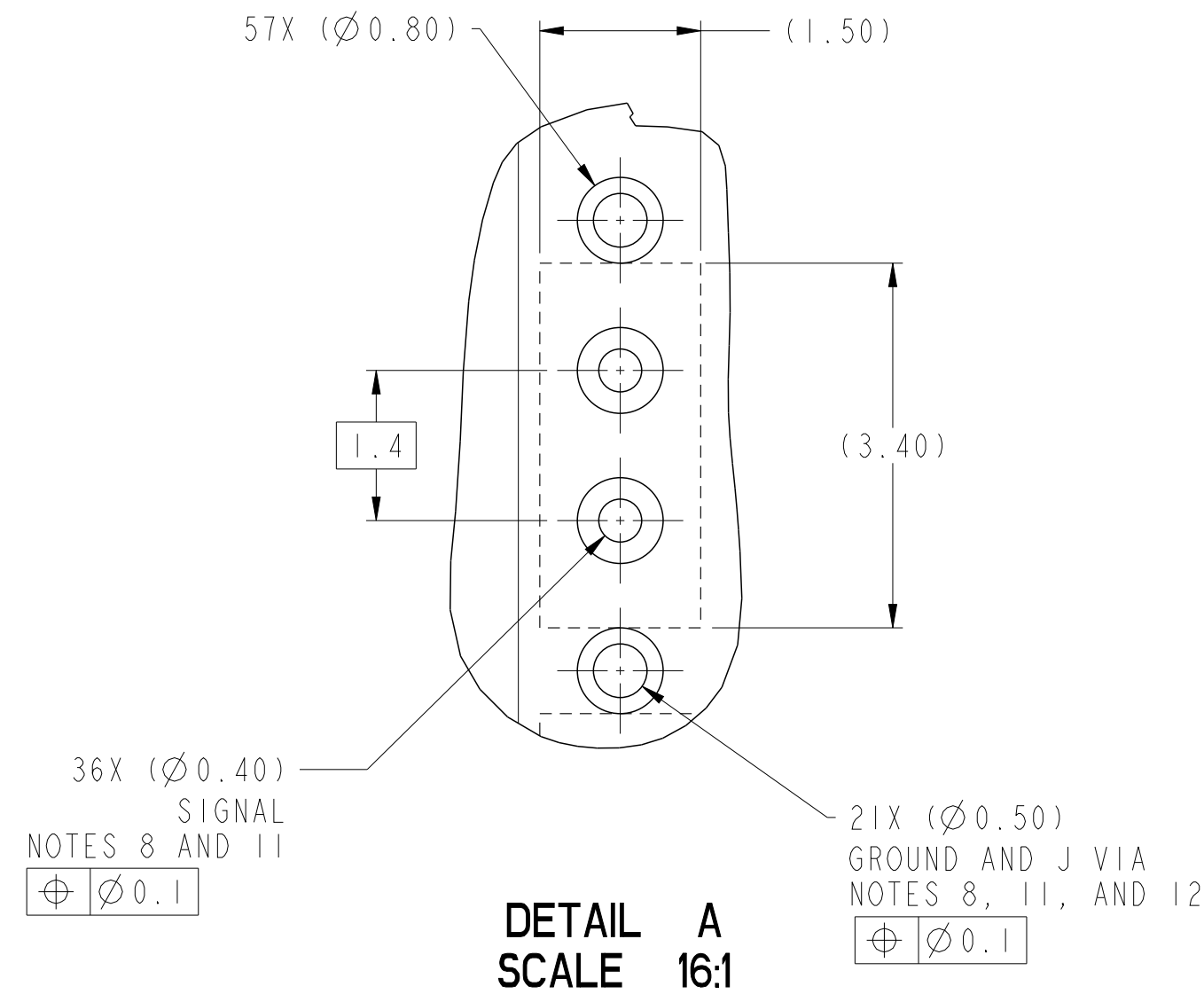
spec ref	---	dr	Lin-Soe Ngwe	2012/1/15	projection	MM	size	A2	scale	1:1
tolerance std	ASME Y14.5M	eng	Terry Luo	2020/09/04			ecn no	ELX-DG-38252-1	rel level	Released
TOLERANCES UNLESS OTHERWISE SPECIFIED		chr	-	app						
surface	-	linear	0.X	±.3		<b>AIRMAX VS2 R.A. RECEPTACLE</b> ASS'Y, 3 PAIR, 54 POS, 6 IMLA, 12MM, Small PF, GXT+	div no	10123420	rev	E
			0.XX	±.10						
			0.XXX	±.050						
		angular	0°	±°	cat. no.	-	Product - Customer Drw	sheet 2 of 3		

PRODUCT NUMBER	PRESS-FIT TAIL PLATING TYPE
10123420-101	TIN/LEAD ALLOY OVER NICKEL
10123420-101LF	TIN OVER NICKEL (LEAD FREE)

- 1 - CONNECTOR MATERIALS:  
HOUSING: HIGH TEMP THERMOPLASTIC, NATURAL, UL94-V0  
IMLA PLASTIC: HIGH TEMP THERMOPLASTIC, BLACK, UL94-V0  
CONTACT: COPPER ALLOY  
ORGANIZER: HIGH TEMP THERMOPLASTIC, WHITE, UL94-V0
- 2 - CONTACT PLATING:  
SEPARABLE INTERFACE:  
GXT PLUS PLATING, QUALIFIED TO MEET THE REQUIREMENTS OF FCI PRODUCT SPECIFICATION GS-12-0956 INCLUDING TELCORDIA GR-1217-CORE (NOVEMBER 1995) CENTRAL OFFICE TEST SEQUENCE  
PRESS-FIT TAILS: SEE TABLE
- 3 - PRODUCT SPECIFICATION: GS-12-0956
- 4 - APPLICATION SPECIFICATION: GS-20-0305.
- 5 - PRODUCT MARKING, (PART NUMBER & LOT CODE), ON THIS SURFACE.
- 6 - THE MINIMUM CENTERLINE SPACING BETWEEN ADJACENT MODULES IS 12.0 MM.
- 7 - CONNECTOR OUTLINE MAY BE SCREEN PRINTED ONTO CUSTOMER PCB TO BE USED AS A GUIDE FOR MANUAL CONNECTOR PLACEMENT.
- 8 - REFER TO CUSTOMER DRAWING 10104444 FOR INFORMATION ON PCB HOLE DIAMETERS AND PLATING OPTIONS
- 9 - LEAD FREE PRODUCT MEETS THE EUROPEAN UNION DIRECTIVES & OTHER COUNTRY REGULATIONS AS DESCRIBED IN GS-22-008
- 10 - PACKAGING MEETS GS-14-920 LEAD FREE LABELING SPECIFICATION.
- 11 - GROUND CONTACTS (C,F, AND I IN ODD COLUMNS AND A, D, AND G, EVEN COLUMNS) REQUIRE (Ø0.500) FINISHED HOLES. SIGNAL LOCATIONS REQUIRE (Ø0.400) FINISHED HOLES.
- 12 - THESE OUTER VIAS (J) ARE OPTIONAL. WHILE NO CONNECTOR EONS ARE PRESSED INTO THESE HOLES WE RECOMMEND (Ø0.500) FINISHED HOLES AT THESE LOCATIONS TO PROVIDE GROUND SYMMETRY THROUGH THE PCB.



10123420-101 OR -101LF



spec ref	---	dr	Lin-Soe Ngwe	2012/1/15	projection	MM	size	A2	scale	4:1												
tolerance std	ASME Y14.5M	eng	Terry Luo	2020/09/04			ecn no	ELX-DG-38252-1														
TOLERANCES UNLESS OTHERWISE SPECIFIED		chr	-				rel level	Released														
surface	<table border="1"> <tr> <td>linear</td> <td>0.X</td> <td>±.3</td> </tr> <tr> <td></td> <td>0.XX</td> <td>±.10</td> </tr> <tr> <td></td> <td>0.XXX</td> <td>±.050</td> </tr> <tr> <td>angular</td> <td>0°</td> <td>±°</td> </tr> </table>	linear	0.X	±.3		0.XX	±.10		0.XXX	±.050	angular	0°	±°	appr	Heaven Cen		2020/09/17	product family				
linear	0.X	±.3																				
	0.XX	±.10																				
	0.XXX	±.050																				
angular	0°	±°																				
				<b>Amphenol FCI</b>		title	AIRMAX VS2 R.A. RECEPTACLE			rev	E											
						ASS'Y, 3 PAIR, 54 POS, 6 IMLA, 12MM, Small PF, GXT+	cat. no.	10123420		Product - Customer Drw sheet 3 of 3												

PDS: Rev :E

STATUS:Released

Printed: Sep 18, 2020