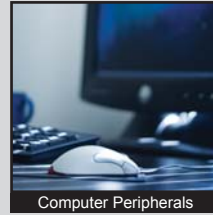


## APPLICATIONS / MARKETS



Audio / Visual



Computer Peripherals



Consumer Electronics



Instrumentation



Medical Equipment



Telecommunication

# RoHS

## SPECIFICATIONS

**Electrical Rating:** 50mA, 12VDC  
**Life Expectancy:** up to 1,000,000 Cycles  
**Contact Resistance:** 100mΩ Max.  
**Insulation Resistance:** 100MΩ Min. at 500VDC  
**Dielectric Strength:** 250VAC for 1 Minute  
**Operating Temperature:** -40°C to 85°C  
**Operating Force:** 120gf ± 50gf (1,000,000 cycles)  
                           240gf ± 60gf (500,000 cycles)  
**Travel:** 0.15mm ± 0.10mm  
  
**Function:** SPST, Off-(On), Momentary

## FEATURES & BENEFITS

- Up to 1,000,000 cycle life expectancy
- Right angle edge mounted design
- Multiple force options

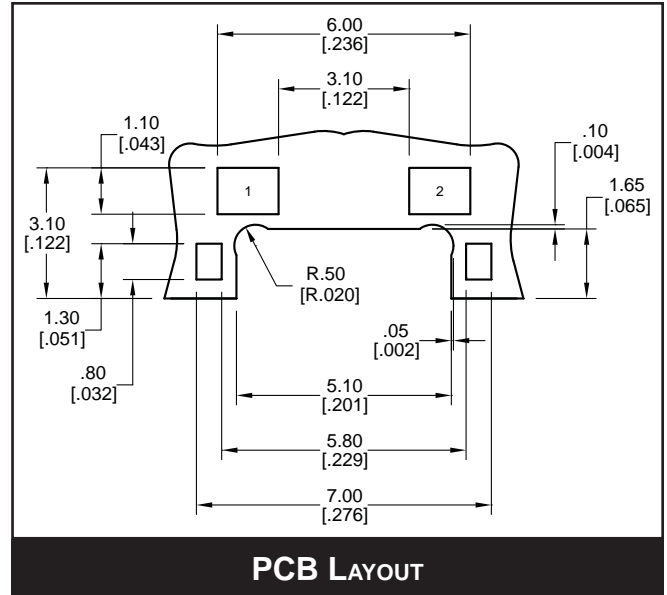
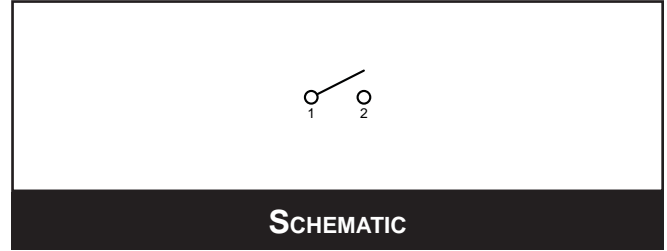
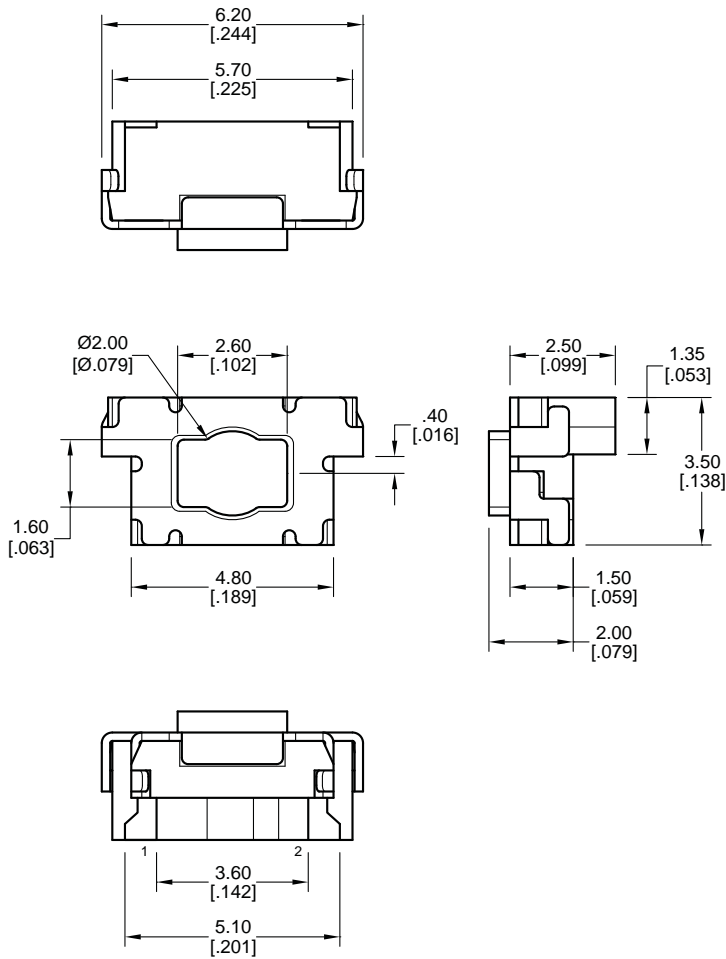
## PART NUMBER CONFIGURATOR

Series	Model	Actuator	Force	Plating	Termination
TL	4100	A - 2.00	F120 - 120 grams F240 - 240 grams	Q - Silver	G - Gullwing

*Specifications subject to change without notice*



## BODY DIMENSIONS



- ANTI-VANDAL SWITCHES
- DETECTOR SWITCHES
- SWITCHES
- DIP SWITCHES
- KEYLOCK SWITCHES
- NAVIGATION SWITCHES
- PUSHBUTTON SWITCHES
- ROCKER SWITCHES
- ROTARY SWITCHES
- SLIDE SWITCHES
- SNAP ACTION SWITCHES
- TACTILE SWITCHES
- TOGGLE SWITCHES
- CAP OPTIONS



# Mouser Electronics

Authorized Distributor

Click to View Pricing, Inventory, Delivery & Lifecycle Information:

[E-Switch:](#)

[TL4100AF120QG](#) [TL4100AF240QG](#)