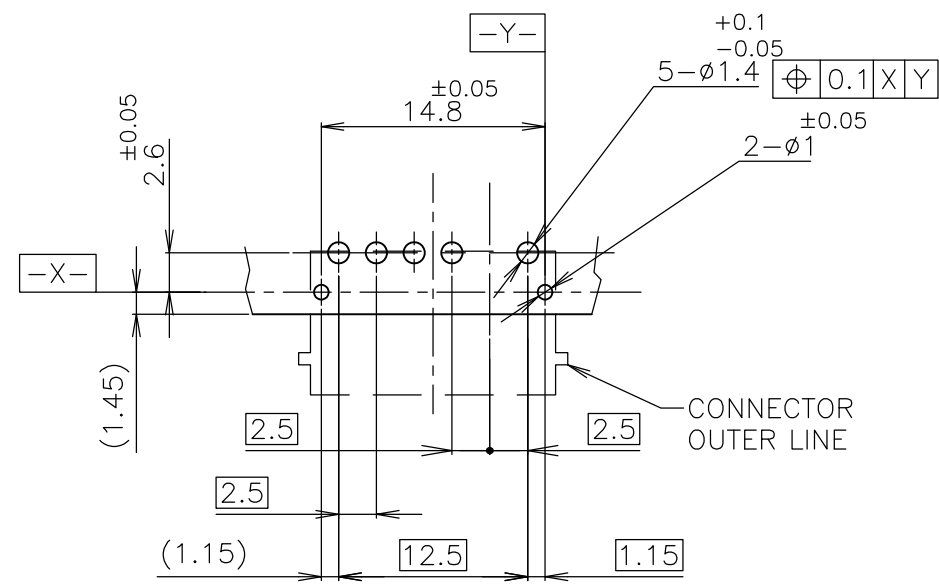
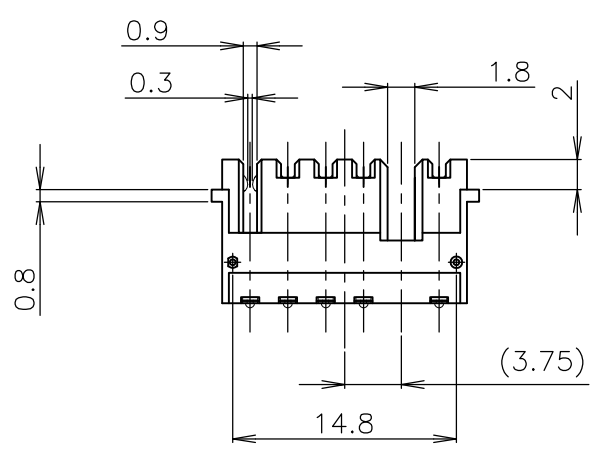
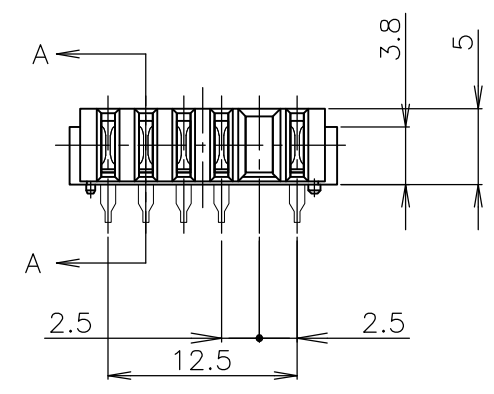
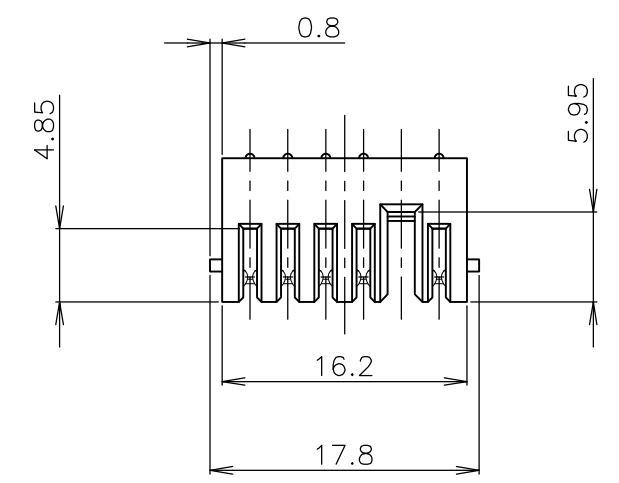
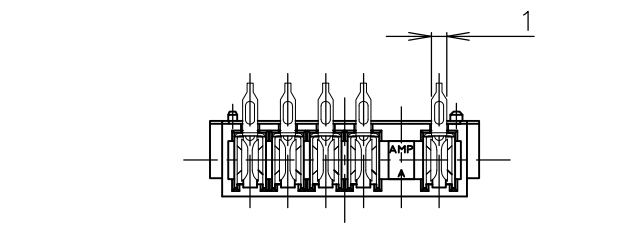
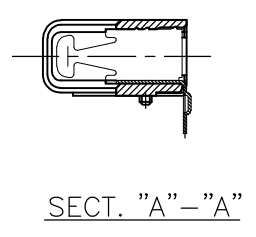
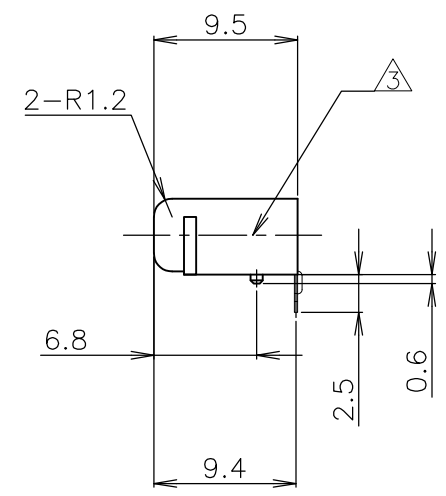


THIS DRAWING IS UNPUBLISHED. RELEASED FOR PUBLICATION 2001.  
 © COPYRIGHT 2001 Tyco Electronics Japan G.K. ALL RIGHTS RESERVED.

LOC	DIST	REVISIONS					
		P	LTR	DESCRIPTION	DATE	DWN	APVD
J			C1	REVISED (ECR-14-017817)	24FEB2015	E.L	V.P
			-	-	-	-	-
			-	-	-	-	-
			-	-	-	-	-



基板取付推奨寸法  
 RECOMMENDED P.C.BOARD LAYOUT  
 P.C.BOARD THK 0.8~1.2  
 (VIEW FROM CONNECTOR MOUNTING SIDE)



注記

- ① 材料 ハウジング：熱可塑性樹脂 UL94V-0  
色；黒  
コンタクト：銅合金
- ② 仕上げ コンタクト：Ni 下地めっき  
半田付け部 Sn めっき（半光沢）  
接触部 Au めっき
- ③ 指示する位置にレーザーマーキング有り

NOTES

- ① MATERIAL HOUSING : THERMOPLASTIC RESIN, UL94V-0  
COLOR ; BLACK  
CONTACT : COPPER ALLOY
- ② FINISH CONTACT : Ni ALL OVER UNDER PL  
Sn PLATE(MATTE) AT LEAD AREA  
Au PL. AT CONTACT AREA
- ③ LASER MARKING TO THIS POSITION

1473971-2 :AS SHOW

THIS DRAWING IS A CONTROLLED DOCUMENT.		DWN M.IWASAKI 07AUG01	TE Connectivity				
		CHK T.KUSUHARA 07AUG01					
		APVD I.ENOMOTO 07AUG01	NAME				
		PRODUCT SPEC 108-5783	RECEPTACLE ASSEMBLY FOR 2.5mm PITCH 2ND BATTERY CONNECTOR				
		APPLICATION SPEC	SIZE	CAGE CODE	DRAWING NO	RESTRICTED TO	
		WEIGHT	A3	00779	C-1473971	-	
MATERIAL ①		FINISH ②	CUSTOMER DRAWING		SCALE 2:1	SHEET 1 OF 1	REV C1

# Mouser Electronics

Authorized Distributor

Click to View Pricing, Inventory, Delivery & Lifecycle Information:

[TE Connectivity:](#)

[1473971-2](#)