



THIS DRAWING IS UNPUBLISHED.

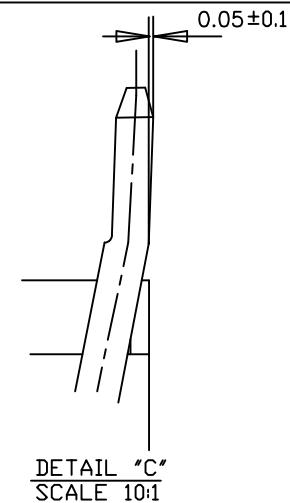
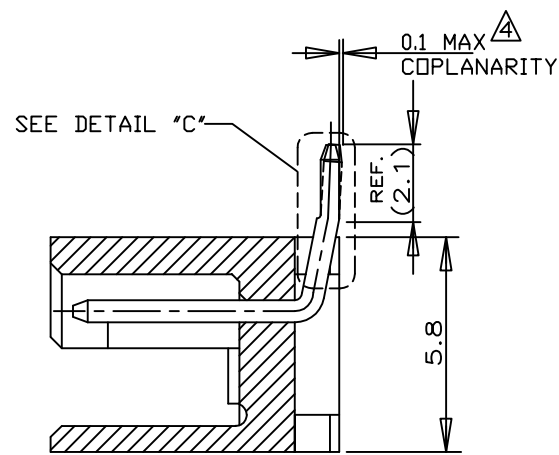
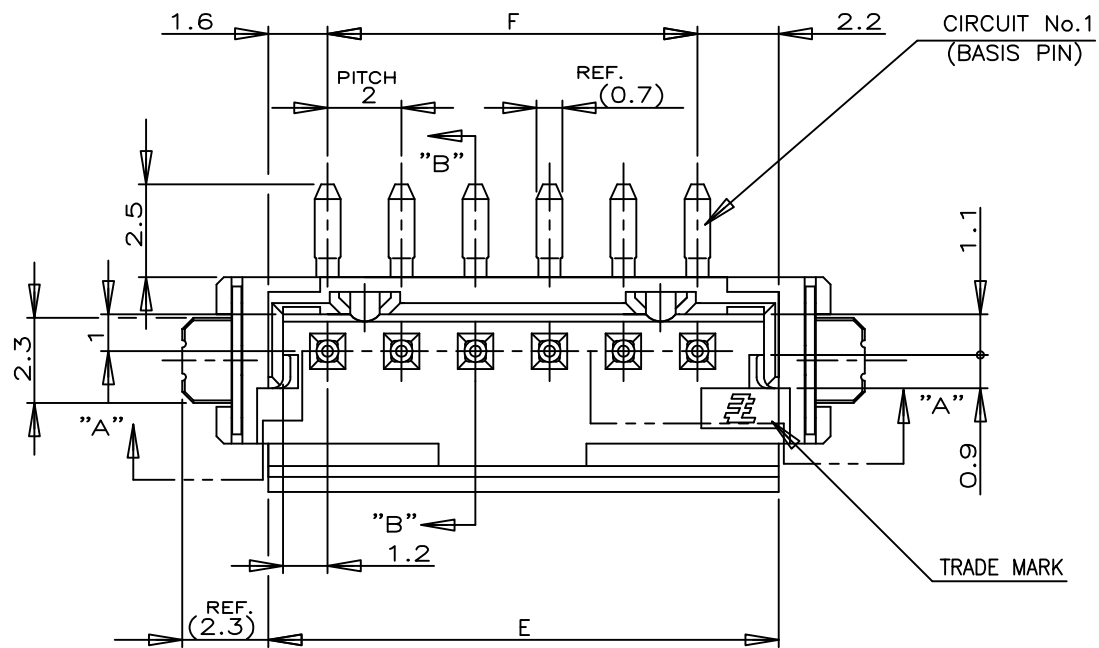
RELEASED FOR PUBLICATION

ALL RIGHTS RESERVED.

© COPYRIGHT - BY

REVISIONS

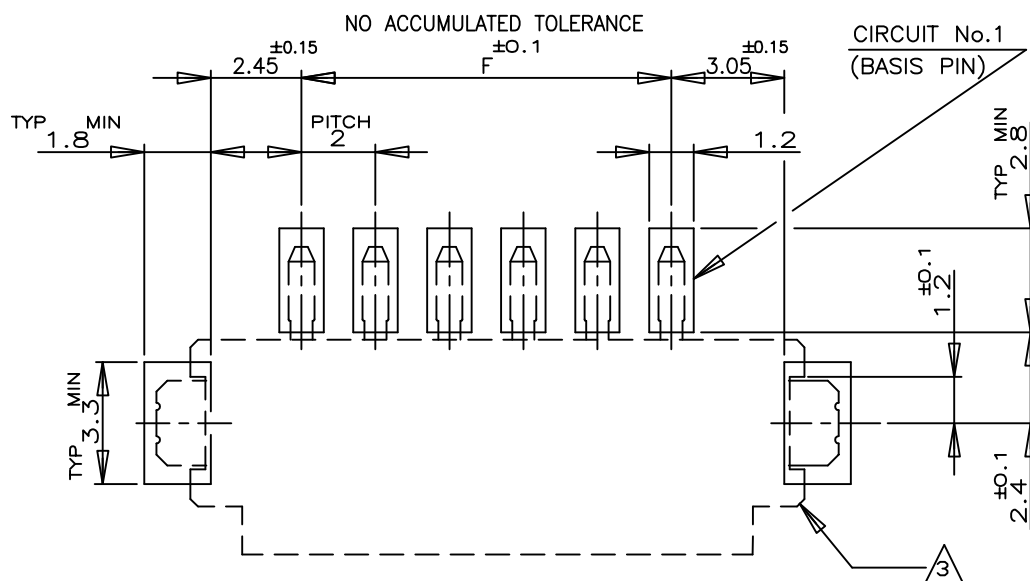
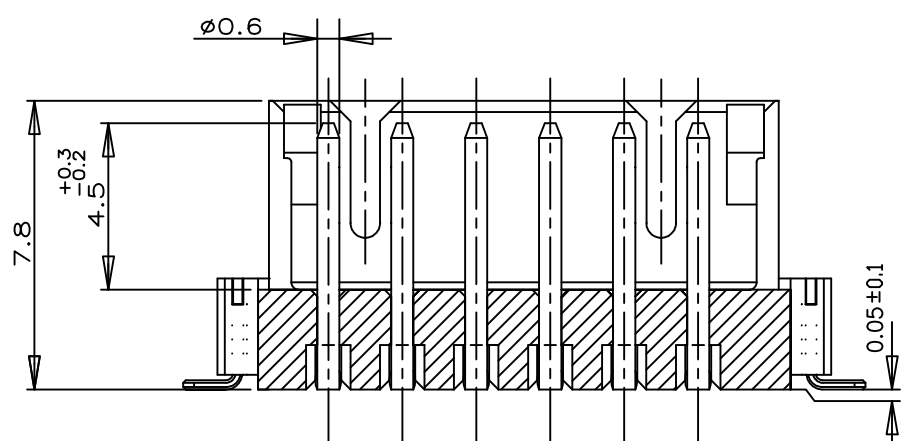
P	LTR	DESCRIPTION	DATE	DWN	APVD
-	-	SEE SHEET 1	-	-	-



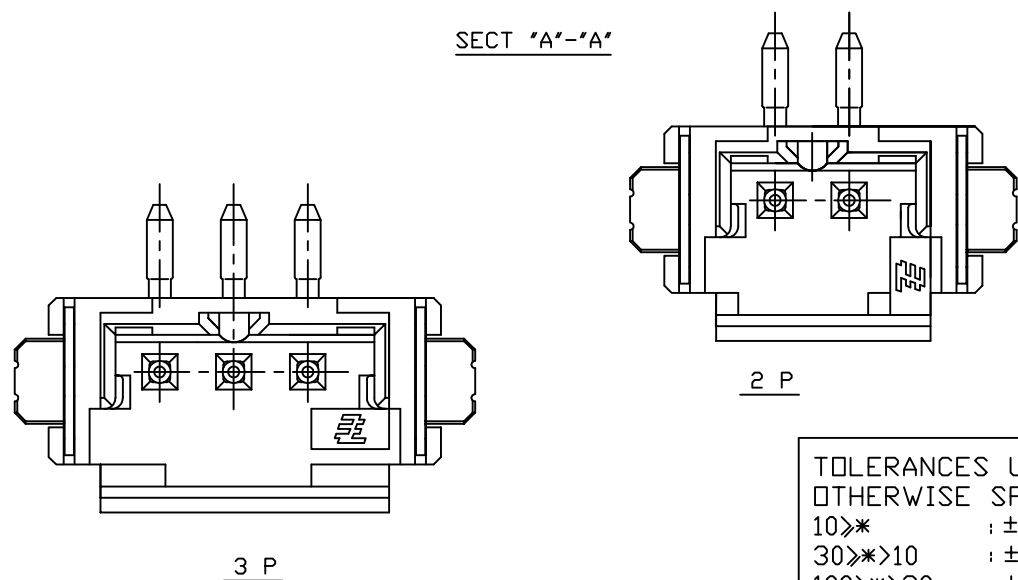
NOTES;

- 2. MATERIAL: HSG-6T PA(G.F.30%)(UL94V-0)  
COLOR: NATURAL, BLACK  
POST: TIN BRASS  
TAIL: TIN BRASS

- △ OCCUPANT AREA ON PC BOARD
- △ TO BE MEASURED WITH CONNECTOR PLACED ON HORIZONTAL DATUM SURFACE, FLOAT OF SOLDER TINE AND TAIL FROM DATUM SURFACE IS 0.1mm MAX



16.0	19.8	9	2-292175-9	292175-9
14.0	17.8	8	2-▲-8	▲-8
12.0	15.8	7	2-▲-7	▲-7
10.0	13.8	6	2-▲-6	▲-6
8.0	11.8	5	2-▲-5	▲-5
6.0	9.8	4	2-▲-4	▲-4
4.0	7.8	3	2-▲-3	▲-3
2.0	5.8	2	2-292175-2	292175-2
F	E	POS.	BLACK	NATURAL
P/N				



TOLERANCES UNLESS OTHERWISE SPECIFIED:  
 10\*\* : ±0.2  
 30\*\*>10 : ±0.25  
 100\*\*>30 : ±0.3  
 ANGEL : ±3°

THIS DRAWING IS A CONTROLLED DOCUMENT.

DIMENSIONS: mm	TOLERANCES UNLESS OTHERWISE SPECIFIED:	DWN	-
0 PLC ± -	1 PLC ± -	CHK	-
2 PLC ± -	3 PLC ± -	APVD	-
4 PLC ± -	ANGLES ± -	PRODUCT SPEC	108-60016
MATERIAL SEE NOTE	FINISH SEE NOTE	APPLICATION SPEC	
		WEIGHT	0
		CUSTOMER DRAWING	

**STE** TE Connectivity

ON TAPING (EMBOSS)  
SMT TYPE POST HDR ASS'Y(V)  
W/O BOSS & WITH TAIL TYPE

SIZE	CAGE CODE	DRAWING NO	RESTRICTED TO
A3	00779	C=292175	-

SCALE 5:1 SHEET 2 of 3 REV B2

4

3

2

1

THIS DRAWING IS UNPUBLISHED.

RELEASED FOR PUBLICATION

ALL RIGHTS RESERVED.

© COPYRIGHT - BY

REVISIONS

P	LTR	DESCRIPTION	DATE	DWN	APVD
-	-	SEE SHEET 1	-	-	-

1.6 F 2.2 CIRCUIT No.1 (BASIS PIN)

PITCH 2 REF. (0.7)

"B"

2.5 1.1

2.3 1 "A"

0.9

"B" 1.2

REF. (2.3) E

TRADE MARK

0.1 MAX COPLANARITY

REF. (2.1)

5.8

SEE DETAIL "C"

SECT "B"- "B"

0.05±0.1

DETAIL "C"  
SCALE 10:1

NOTES;

2. MATERIAL:HSG-6T PA(G.F.30%)(UL94V-0)  
COLOR:NATURAL,BLACK  
POST:TIN BRASS  
TAIL: TIN BRASS

△ OCCUPANT AREA ON PC BOARD  
△ TO BE MEASURED WITH CONNECTOR PLACED ON HORIZONTAL DATUM SURFACE,FLOAT OF SOLDER TINE AND TAIL FROM DATUM SURFACE IS 0.1mm MAX

∅0.6

+0.3  
-0.2

4.5

7.8

0.05±0.1

SECT "A"- "A"

NO ACCUMULATED TOLERANCE

±0.15 ±0.1 ±0.15

2.45 F 3.05

CIRCUIT No.1 (BASIS PIN)

TYP 1.8 MIN

PITCH 2

1.2

TYP 3.3 MIN

TYP 2.8 MIN

±0.1

1.2

±0.1

2.4

△

RECOMENOED P.C.BOARD LAYOUT  
(P.C.B THK:0.8mm MIN)

3 P

2 P

TOLERANCES UNLESS OTHERWISE SPECIFIED:

10\*\* : ±0.2

30\*\*>10 : ±0.25

100\*\*>30 : ±0.3

ANGEL : ±3°

THIS DRAWING IS A CONTROLLED DOCUMENT.

DIMENSIONS:	TOLERANCES UNLESS OTHERWISE SPECIFIED:
mm	
	0 PLC ± -
	1 PLC ± -
	2 PLC ± -
	3 PLC ± -
	4 PLC ± -
	ANGLES ± -
MATERIAL	FINISH
SEE NOTE	SEE NOTE

DWN	-
CHK	-
APVD	-
PRODUCT SPEC	108-60016
APPLICATION SPEC	
WEIGHT	0
CUSTOMER DRAWING	

10.0	13.8	6	2-292175-6	292175-6
F	E	POS.	BLACK	NATURAL
P/N				

TE Connectivity

ON TAPING (EMBOSS)  
SMT TYPE POST HDR ASS'Y(V)  
W/O BOSS & WITH TAIL TYPE

SIZE	CAGE CODE	DRAWING NO	RESTRICTED TO
A3	00779	C=292175	-

SCALE	SHEET	REV
5:1	3 of 3	B2

1470-19 (1/15)

# Mouser Electronics

Authorized Distributor

Click to View Pricing, Inventory, Delivery & Lifecycle Information:

[TE Connectivity:](#)

[292175-3](#)