

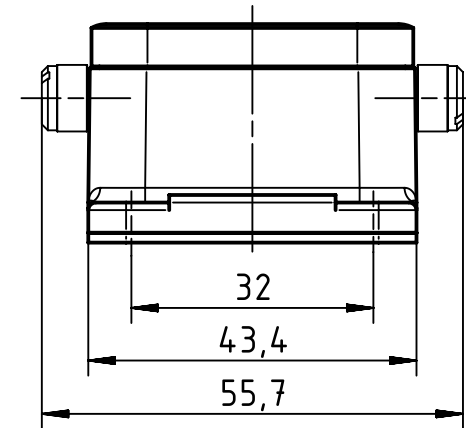
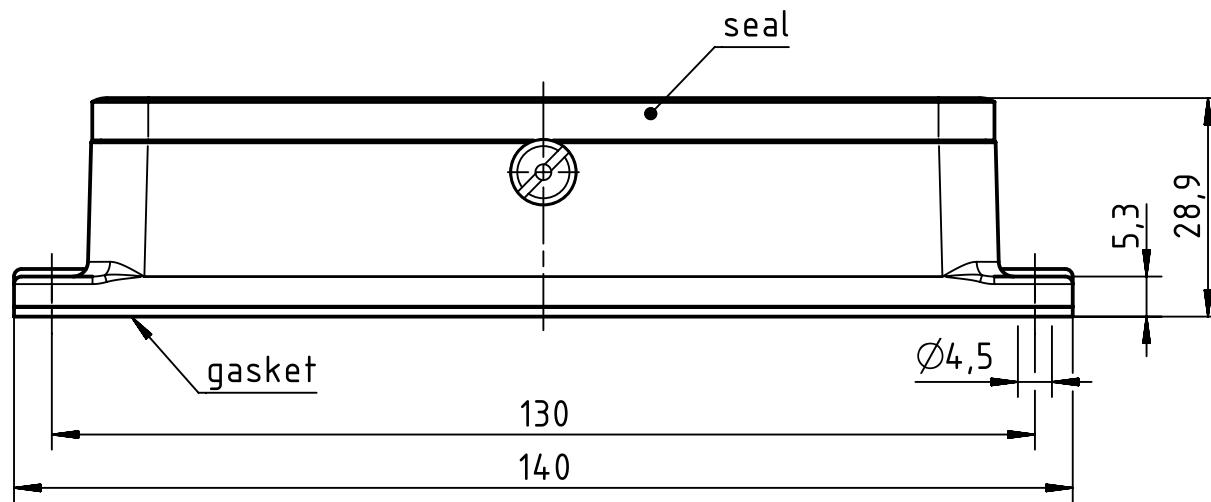
1 2 3 4 5 6

A

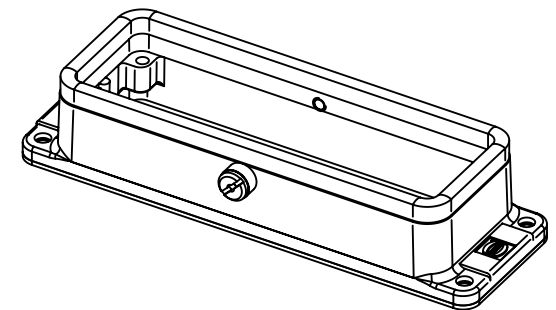
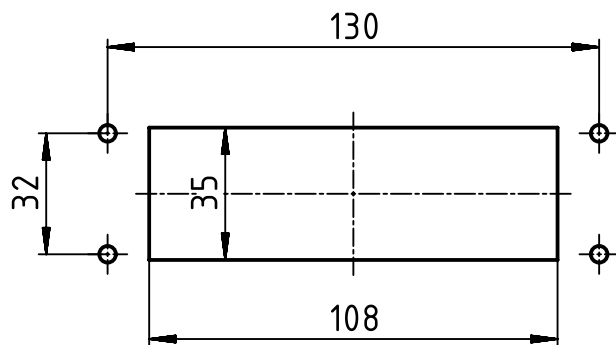
B


C

D



(1:2) panel cut out



	All rights reserved Department EL PD - DE	All Dimensions in mm Original Size DIN A4		Scale 1:1	Free size tol.	Ref. Sub.	
		Created by PRIESTER	Inspected by SCHNIEDER	Standardisation TIEMANNA	Date 2014-03-18	State Final Release	
HARTING Electric GmbH & Co. KG D-32339 Espelkamp		Title Han B Base Panel for Central Lever				Doc-Key / ECM-Nr. 100195595/UGD/004/A 500000066520	
		Type TB	Number 09 30 024 0381			Rev. A	Page 1/1

Mouser Electronics

Authorized Distributor

Click to View Pricing, Inventory, Delivery & Lifecycle Information:

[HARTING:](#)

[09300240381](#)