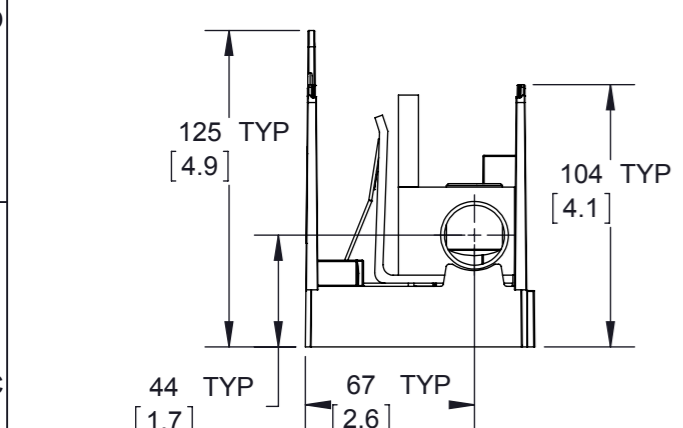
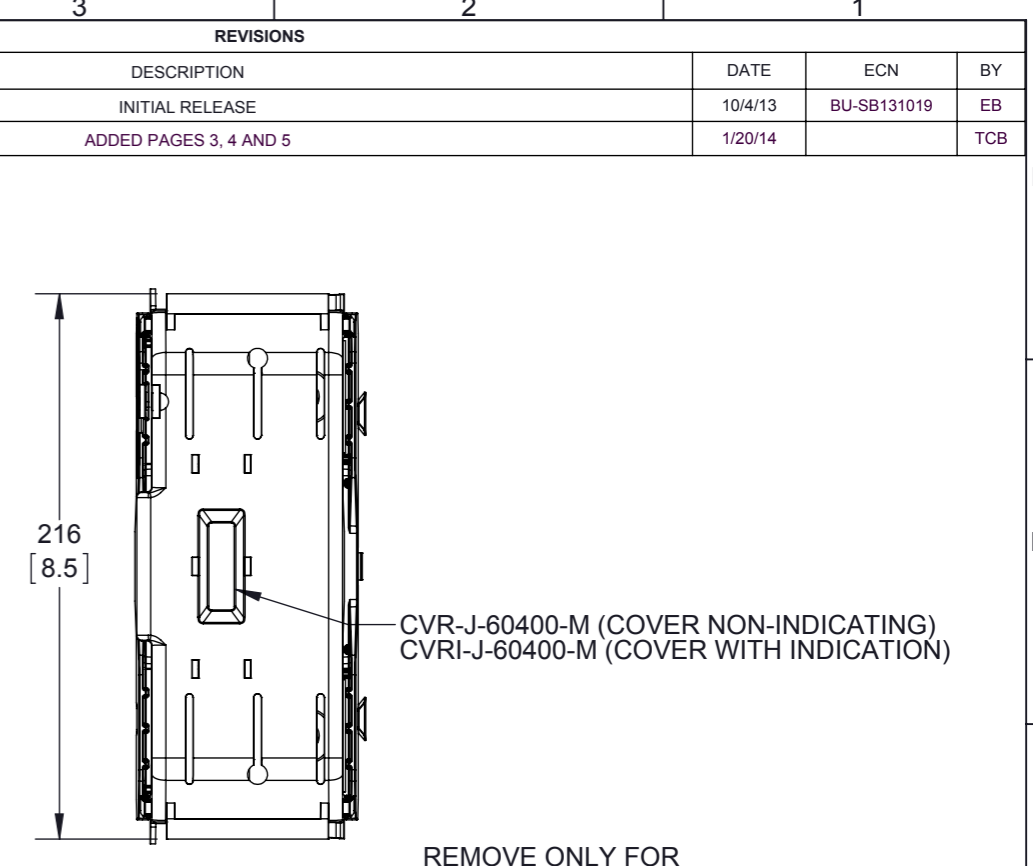
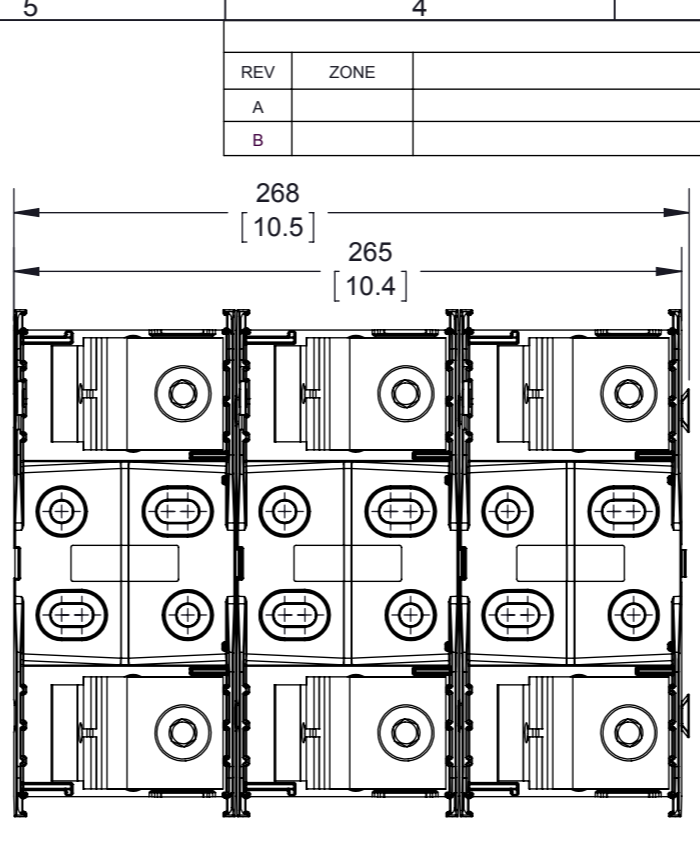
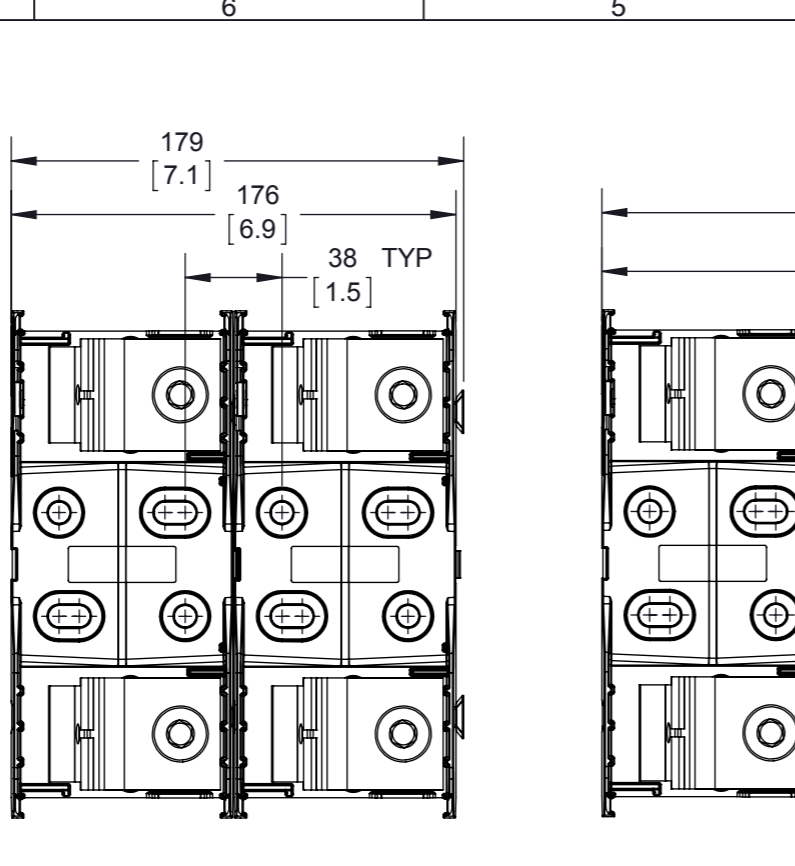
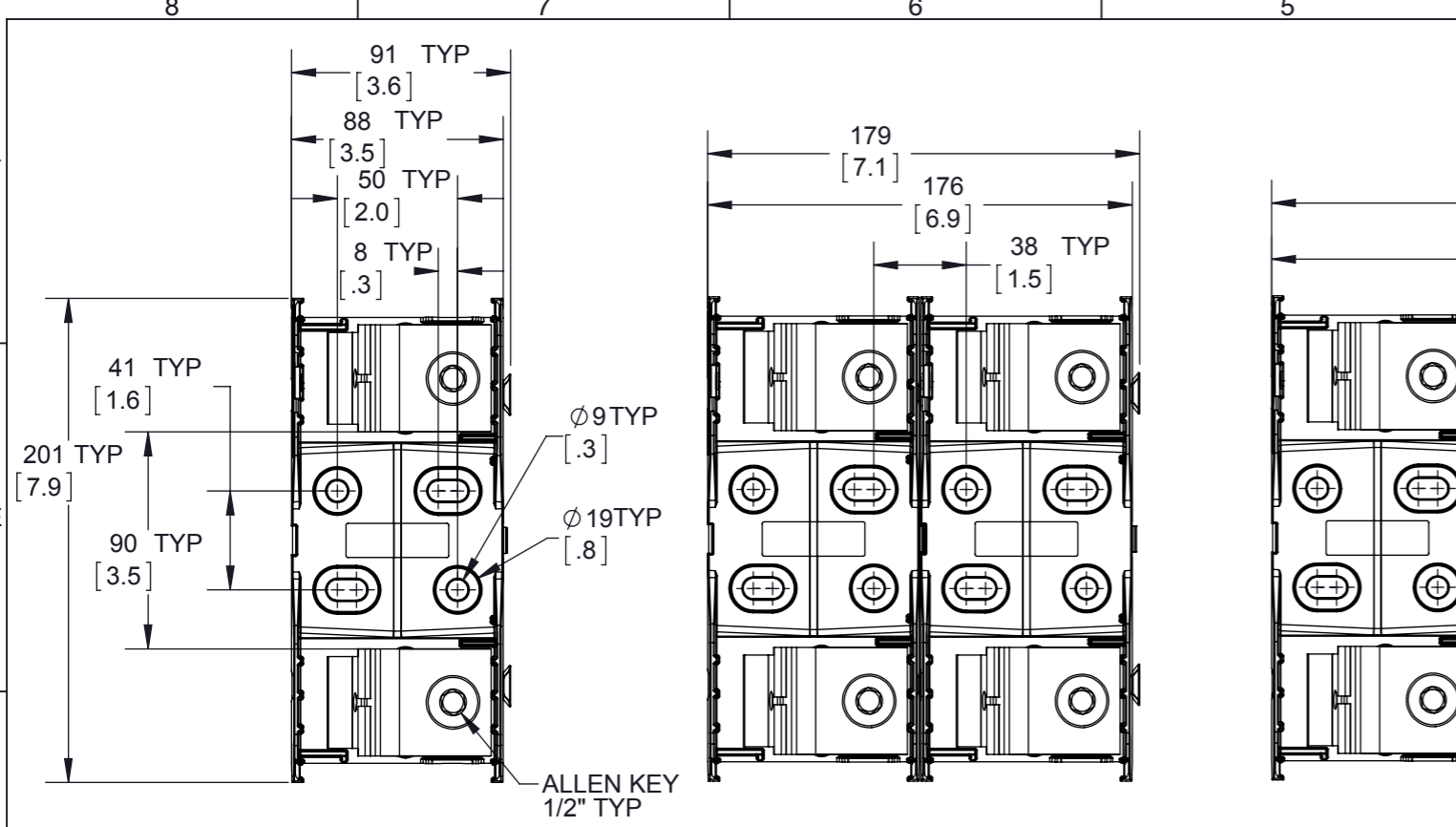
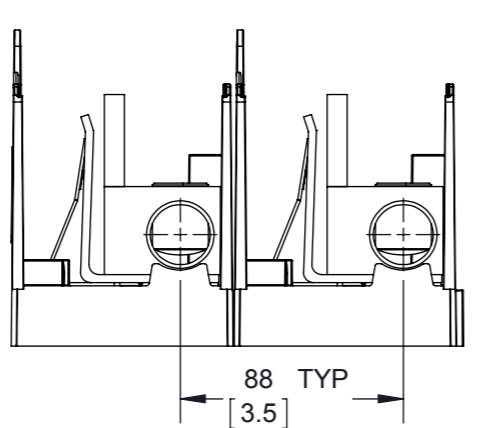


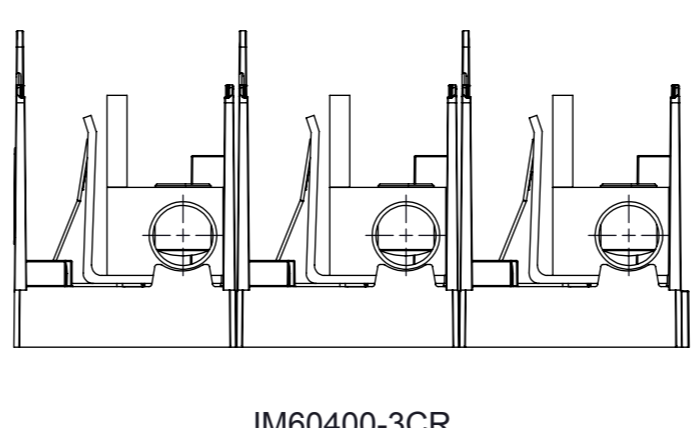
REVISIONS					
REV	ZONE	DESCRIPTION	DATE	ECN	BY
A		INITIAL RELEASE	10/4/13	BU-SB131019	EB
B		ADDED PAGES 3, 4 AND 5	1/20/14		TCB



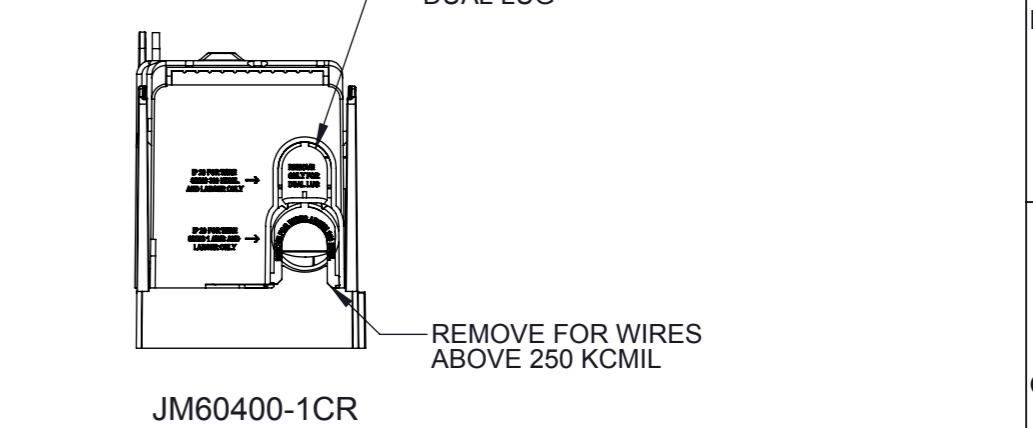
JM60400-1CR



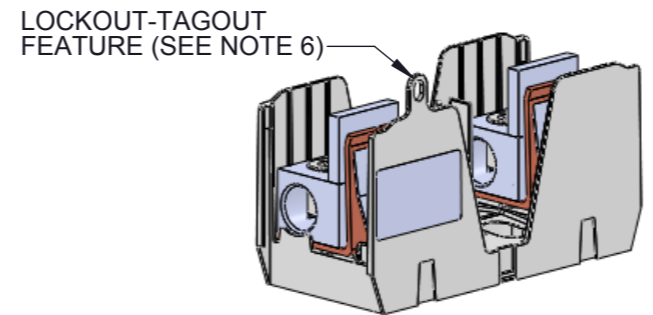
JM60400-2CR



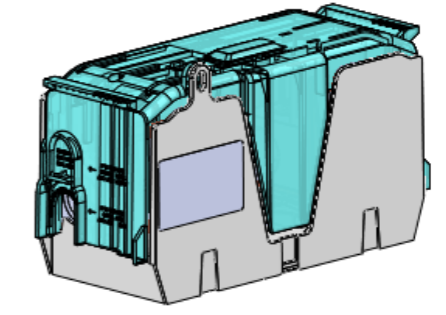
JM60400-3CR



JM60400-1CR (SHOWN WITH COVER)



3D VIEW FOR JM60400-1CR SCALE = NONE

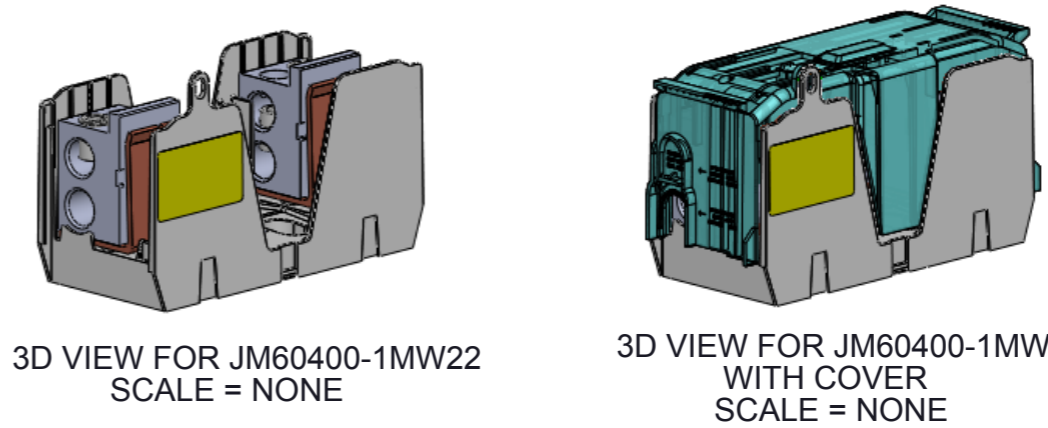
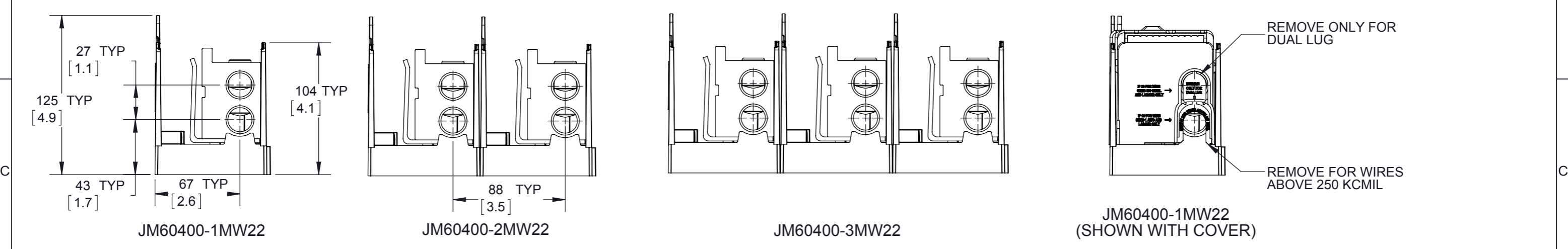
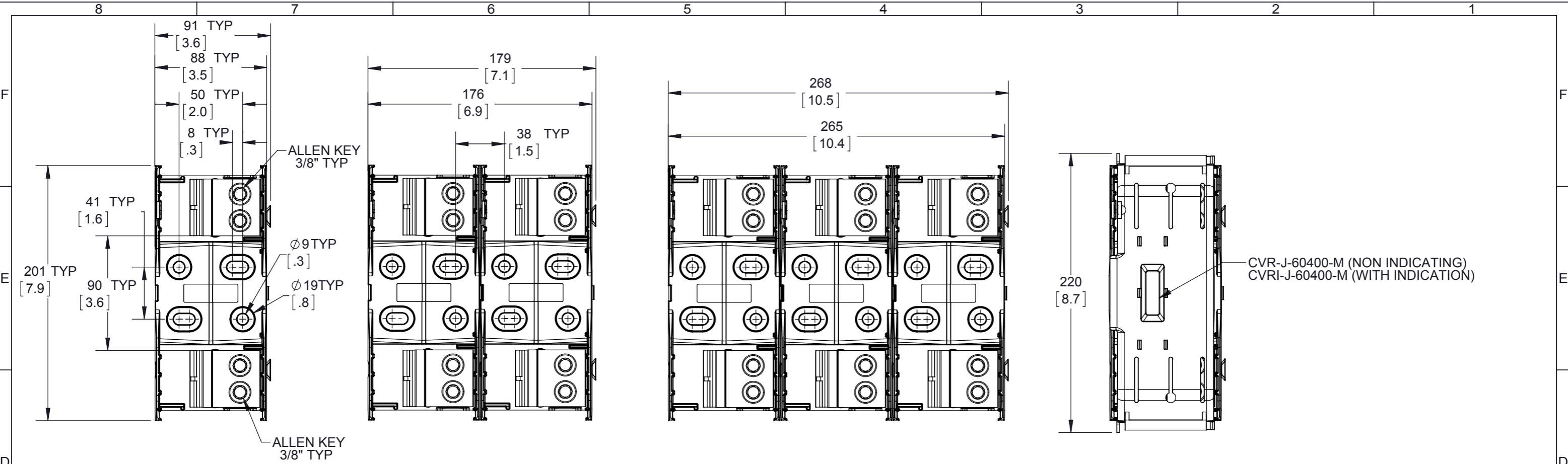


3D VIEW FOR JM60400-1CR WITH COVER SCALE = NONE

CUSTOMER PRINT

- NOTES:
- VOLTAGE RATING: 600V
  - AMPERAGE: 400A
  - WITHSTAND RATING: 200ka
  - WIRE: Cu/Al 75°C / 90°C ONLY
  - WIRE RANGE: (1) 600kcmil - 4 AWG Cu/Al  
(2) 3/0 - 4AWG Cu/Al
  - USE 4mm DIA. CABLE LOCK OR 1/4" DIA. HASP PADLOCK.

MODEL SOURCE DATA --	MODEL VERSION --	GENERAL DRAWING PRACTICES IN ACCORDANCE WITH ASME - Y14.100-2004 DIMENSIONS AND TOLERANCES IN ACCORDANCE WITH ASME - Y14.5M-1994	APPROVALS ENGINEER DRAWN MANUFACTURING ENGINEER MATERIAL	DATE --/--/----									
THIS DRAWING IS AN UNCONTROLLED COPY IF PRINTED OR SENT ELECTRONICALLY. DO NOT SCALE DRAWING		UNLESS OTHERWISE SPECIFIED DIMENSIONS ARE IN MILLIMETERS TOLERANCES TO BE ONE PLACE XX ± mm TWO PLACE XX.X ± mm ALL ANGLES XX ± °	<table border="1"> <tr> <td>SIZE</td> <td>DWG NO.</td> <td>REV</td> </tr> <tr> <td>A3</td> <td>JM60400-SERIES-CP</td> <td>B</td> </tr> </table>			SIZE	DWG NO.	REV	A3	JM60400-SERIES-CP	B		
SIZE	DWG NO.	REV											
A3	JM60400-SERIES-CP	B											
<p>CONFIDENTIAL. THE INFORMATION CONTAINED IN THIS DOCUMENT IS THE PROPERTY OF COOPER INDUSTRIES, INC. IT IS NOT FOR PUBLIC DISCLOSURE. POSSESSION OF THE INFORMATION DOES NOT CONVEY ANY RIGHT TO LOAN, SELL, OR DISCLOSE THE INFORMATION. UNAUTHORIZED REPRODUCTION OR USE OF THE INFORMATION IS PROHIBITED. THIS DOCUMENT IS TO BE RETURNED TO COOPER INDUSTRIES, INC. UPON COMPLETION OF THE PURPOSE FOR WHICH IT WAS LOANED OR UPON REQUEST.</p> <p>COPYRIGHT, COOPER INDUSTRIES, INC. THIS IS AN UNPUBLISHED WORK. THE DISCLOSURE OF THIS WORK IS LIMITED TO SELECT PERSONNEL. FURTHER DISSEMINATION OR DISCLOSURE TO THE PUBLIC IS PROHIBITED. THIS UNPUBLISHED WORK IS PROTECTED BY FEDERAL COPYRIGHT LAW AND ALL RIGHTS THEREUNDER ARE RESERVED BY COOPER INDUSTRIES, INC.</p>		SPECIAL CHARACTERISTIC ◊ (0) SIGNIFICANT CHARACTERISTIC △ (0)	<table border="1"> <tr> <td>THIRD ANGLE PROJECTION</td> <td>PRINT N/A</td> </tr> </table>		THIRD ANGLE PROJECTION	PRINT N/A	<table border="1"> <tr> <td>TITLE</td> <td>600V / 400A CLASS J FUSE BLOCK</td> </tr> <tr> <td>SCALE</td> <td>1:2</td> </tr> <tr> <td>SHEET</td> <td>1 OF 5</td> </tr> </table>	TITLE	600V / 400A CLASS J FUSE BLOCK	SCALE	1:2	SHEET	1 OF 5
THIRD ANGLE PROJECTION	PRINT N/A												
TITLE	600V / 400A CLASS J FUSE BLOCK												
SCALE	1:2												
SHEET	1 OF 5												



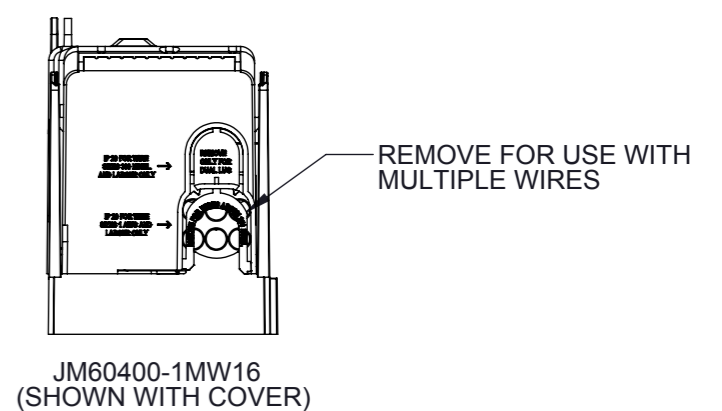
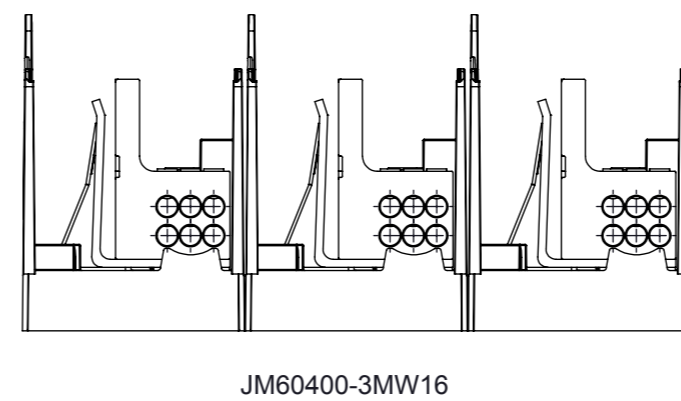
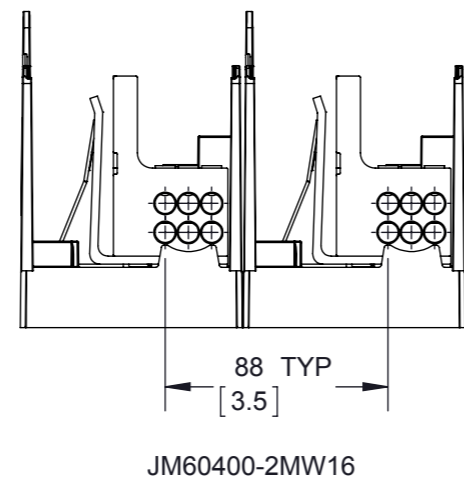
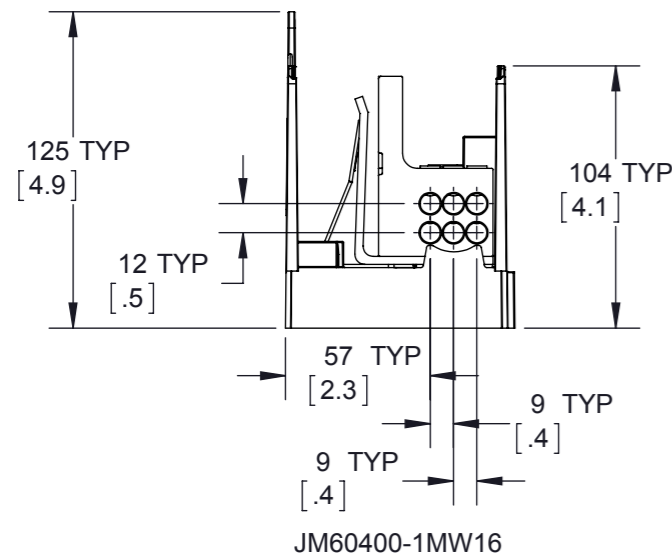
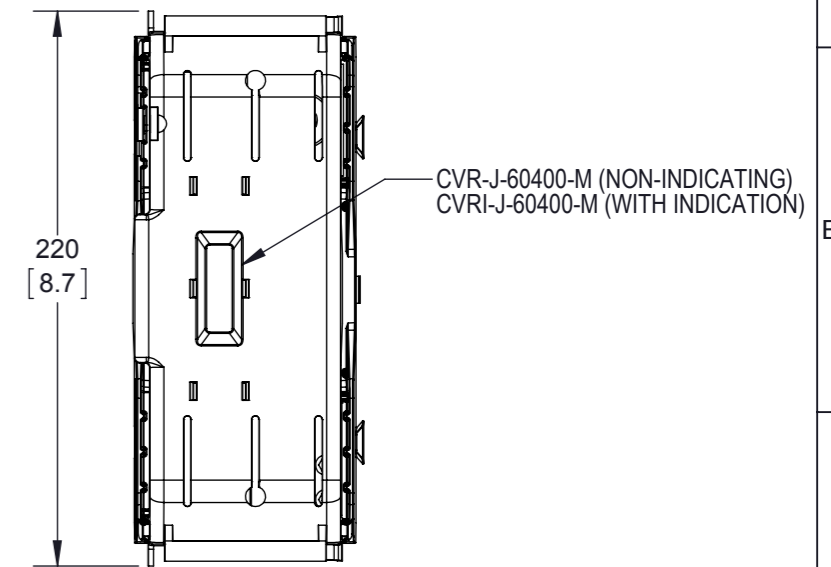
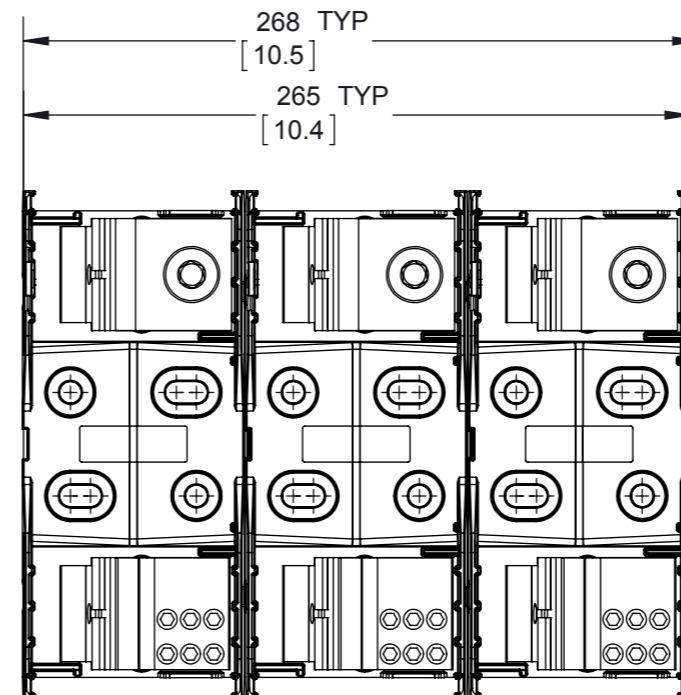
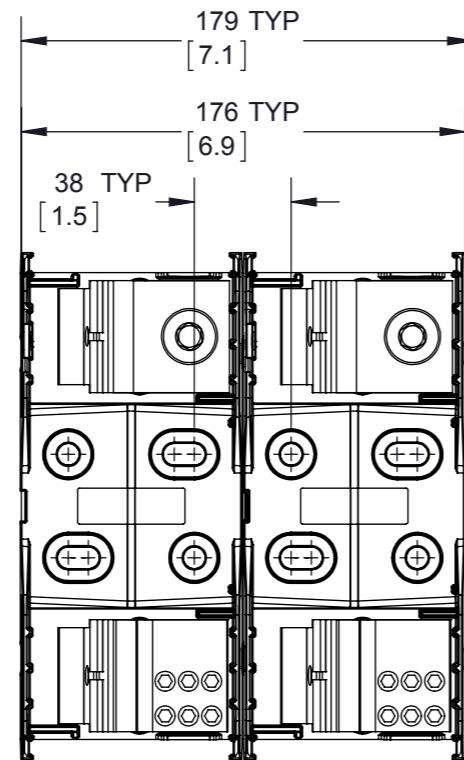
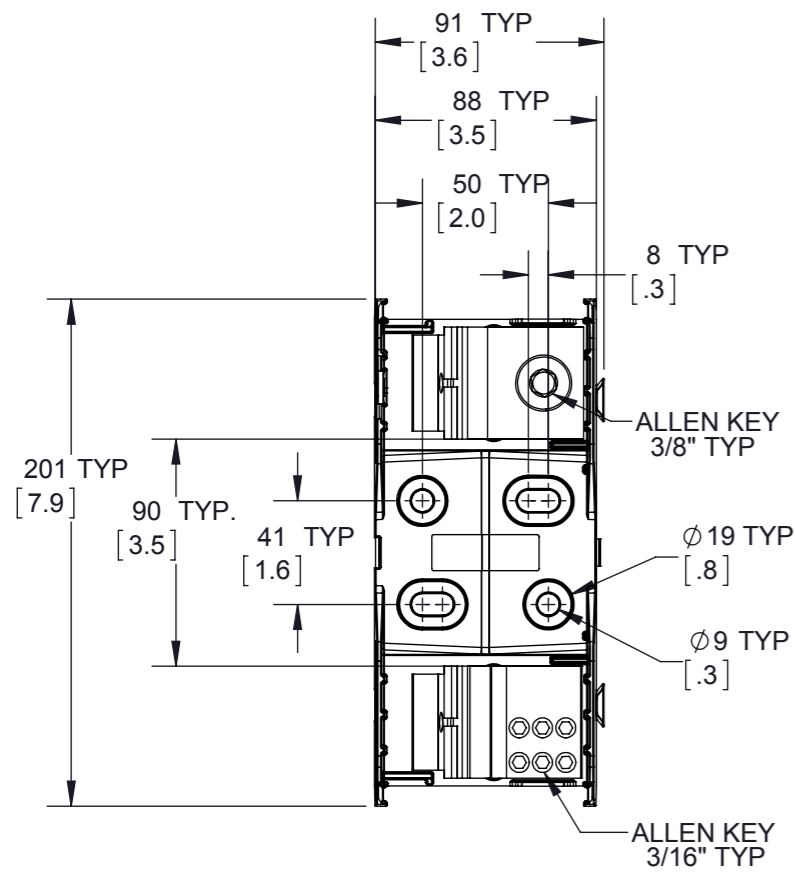
- NOTES:
- VOLTAGE RATING: 600V
  - AMPERAGE: 400A
  - WITHSTAND RATING: 200kA
  - WIRE: Cu/Al 75°C / 90°C ONLY
  - WIRE RANGE: (2) 350kcmil - 6 AWG Cu/Al
  - USE 4mm DIA. CABLE LOCK OR 1/4" DIA. HASP PADLOCK.

CUSTOMER PRINT

**Bussmann**  
by **EATON**

TITLE: 600V / 400A CLASS J FUSE BLOCK

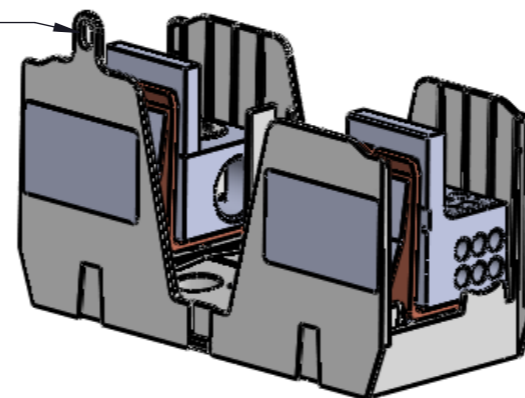
SIZE: A3	DWG NO.:	REV: B
SCALE: 1:2		SHEET 2 OF 5



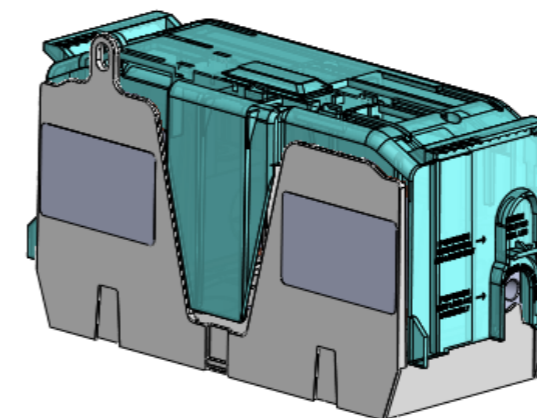
NOTES:

- 13) VOLTAGE RATING: 600V
- 14) AMPERAGE: 400A
- 15) WITHSTAND RATING: 200kA
- 16) WIRE: Cu/Al 75°C
- 17) WIRE RANGE: LINESIDE (1) 600KCMIL - 4 AWG Cu/Al  
LOADSIDE (6) 2 AWG - 14 AWG Cu  
(6) 2 AWG - 8 AWG Al  
(12) 8 AWG - 14 AWG Cu  
(12) 8 AWG Al
- 18) USE 4mm DIA. CABLE LOCK OR 1/4" DIA. HASP PADLOCK.
- 19) SEE PAGE 2 FOR LINESIDE DIMENSIONS.

LOCKOUT-TAGOUT FEATURE (SEE NOTE 18)



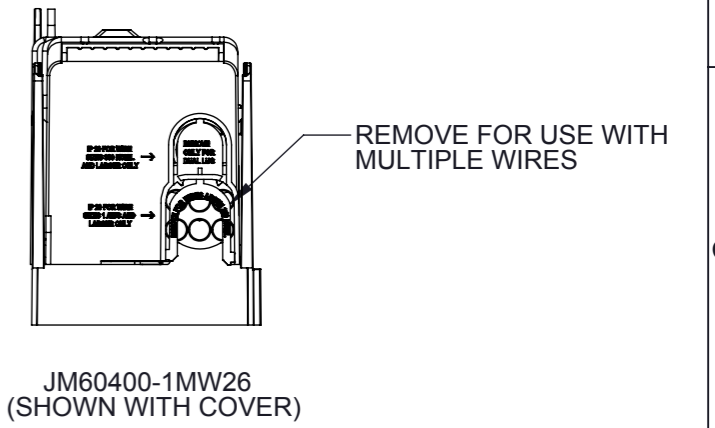
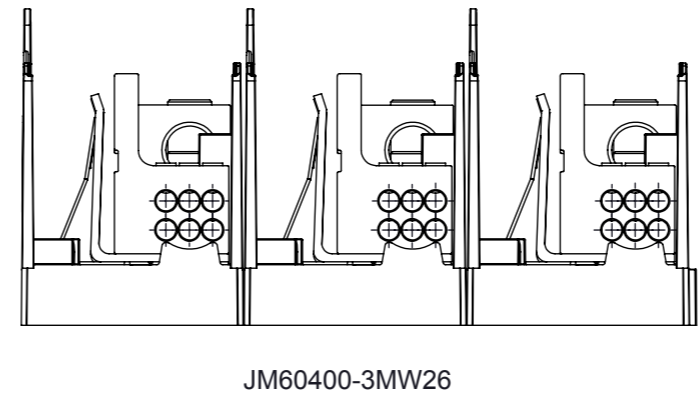
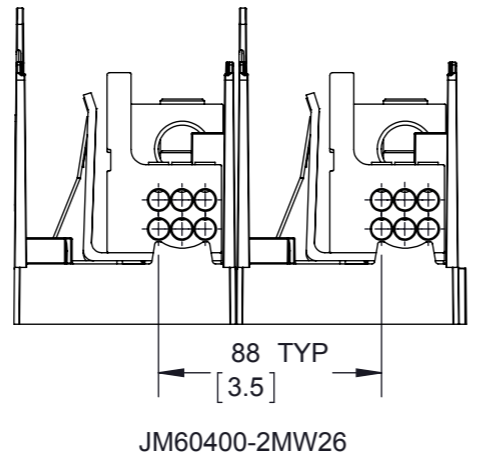
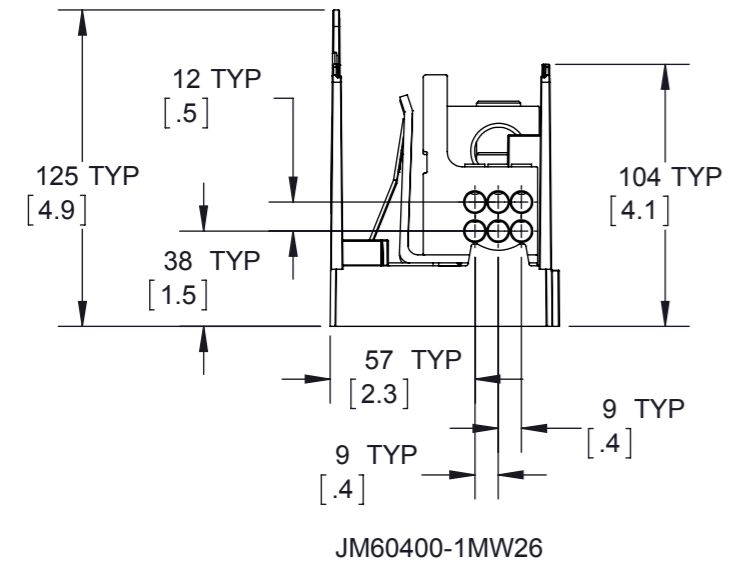
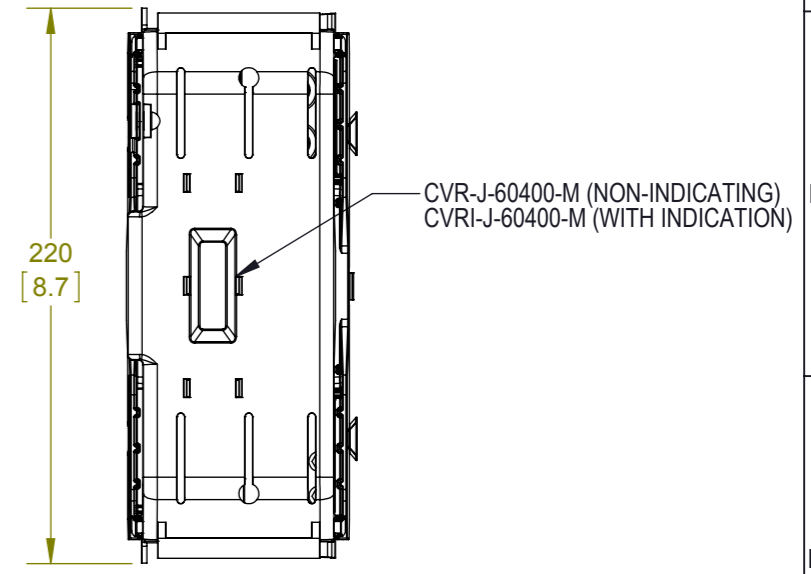
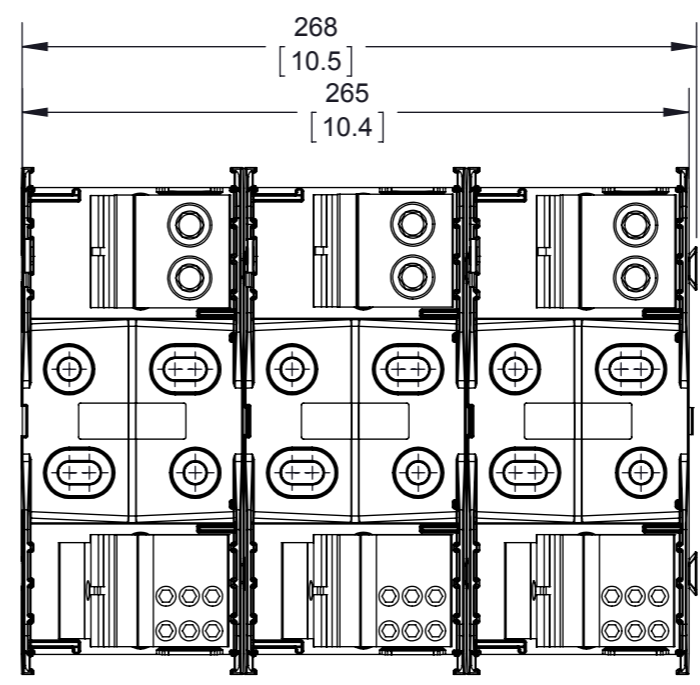
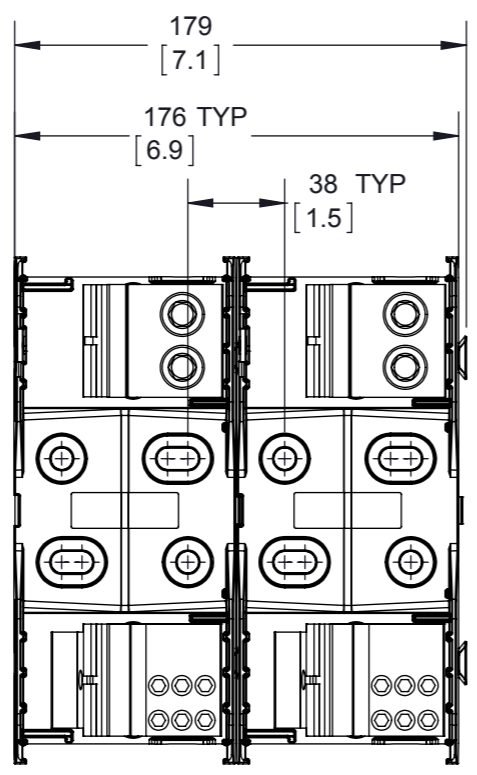
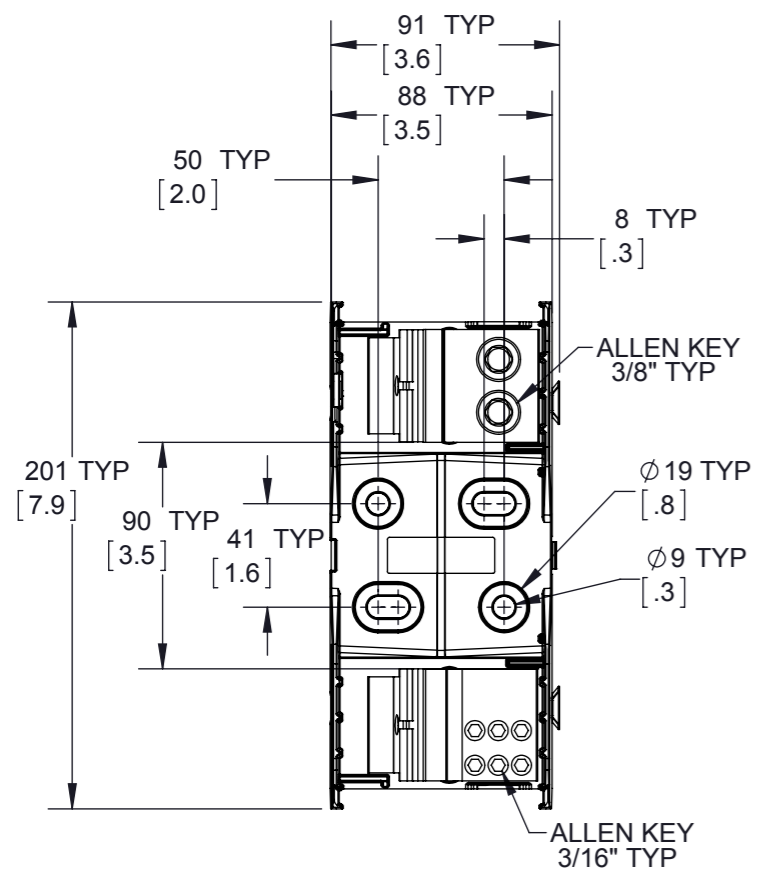
3D VIEW FOR JM60400-1MW16  
SCALE = NONE



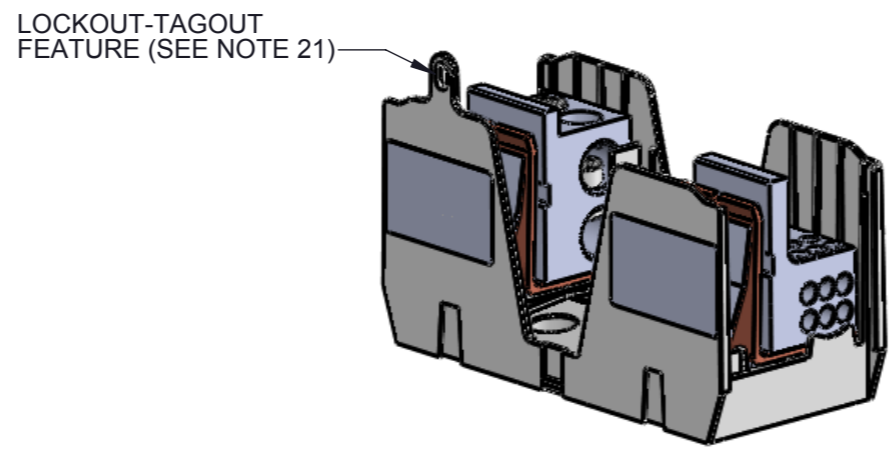
3D VIEW FOR JM60400-1MW16  
(SHOWN WITH COVER)  
SCALE = NONE

CUSTOMER PRINT

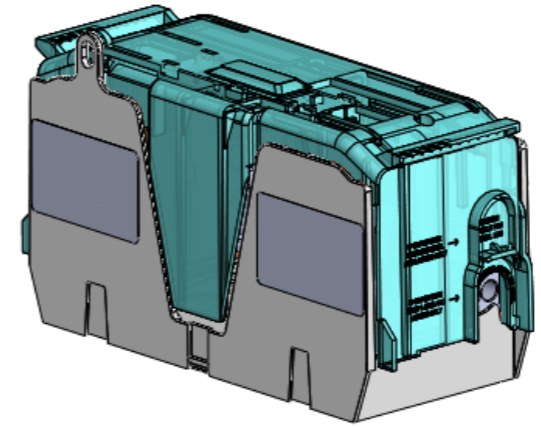
<b>Bussmann</b> by <b>EATON</b>		
TITLE <b>600V / 400A CLASS J FUSE BLOCK</b>		
SIZE <b>A3</b>	DWG NO. <b>JM60400-SERIES-CP</b>	REV <b>B</b>
SCALE: 1 : 3	SHEET 3 OF 5	



- NOTES:
- 16) VOLTAGE RATING: 600V
  - 17) AMPERAGE: 400A
  - 18) WITHSTAND RATING: 200kA
  - 19) WIRE: Cu/Al 75°C
  - 20) WIRE RANGE: LINESIDE (2) 350kcmil - 6 AWG Cu/Al  
LOADSIDE (6) 2 AWG - 14 AWG Cu  
(6) 2 AWG - 8 AWG Al  
(12) 8 AWG - 14 AWG Cu  
(12) 8 AWG Al
  - 21) USE 4mm DIA. CABLE LOCK OR 1/4" DIA. HASP PADLOCK.
  - 22) SEE PAGE 2 FOR LINESIDE DIMENSIONS.



3D VIEW FOR JM60400-1MW26  
SCALE = NONE



3D VIEW FOR JM60400-1MW26  
(SHOWN WITH COVER)  
SCALE = NONE

CUSTOMER PRINT

**Bussmann**  
by **EATON**

TITLE  
**600V / 400A CLASS J FUSE BLOCK**

SIZE <b>A3</b>	DWG NO. <b>JM60400-SERIES-CP</b>	REV <b>B</b>
SCALE: 1 : 3	SHEET 4 OF 5	

8 7 6 5 4 3 2 1

F

F

E

E

D

D

C

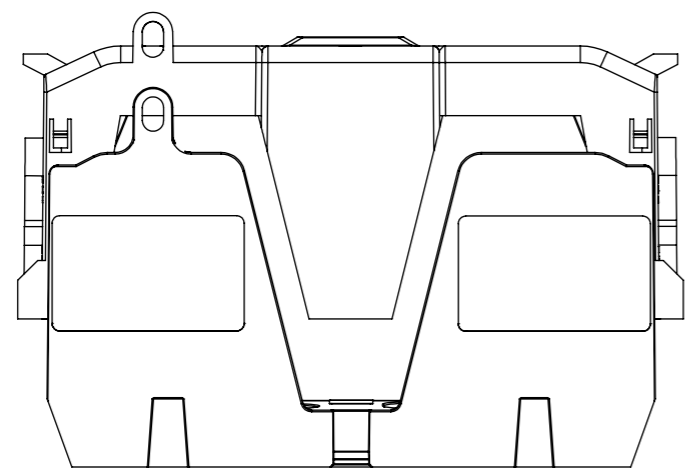
C

B

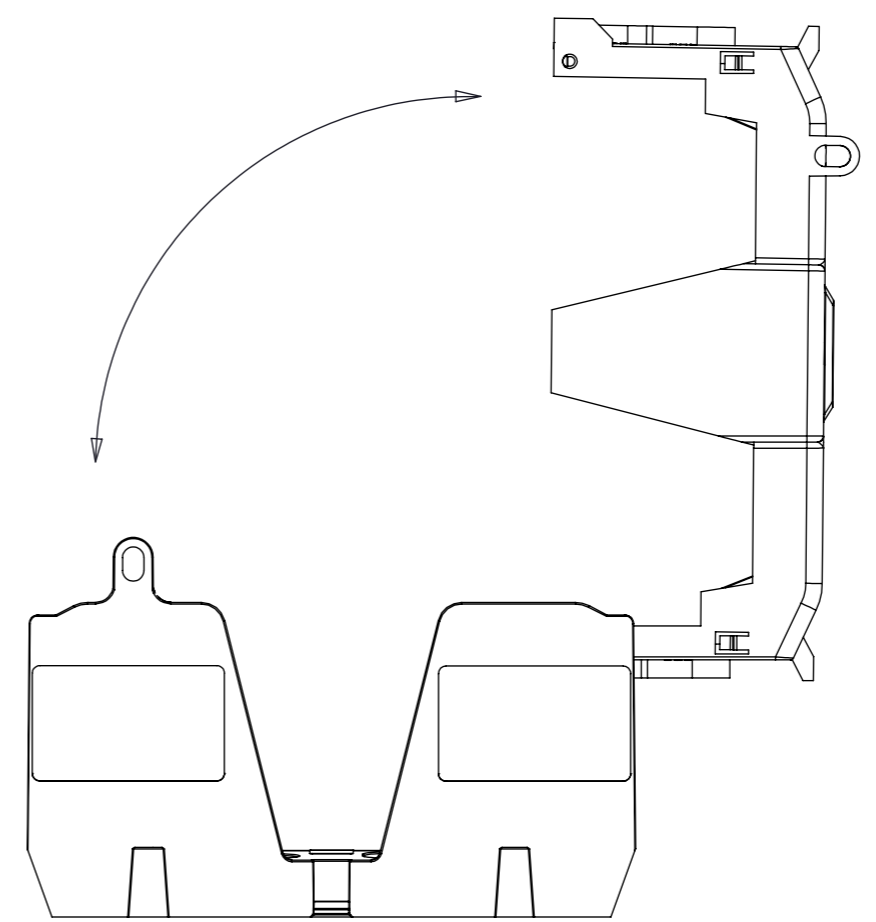
B

A

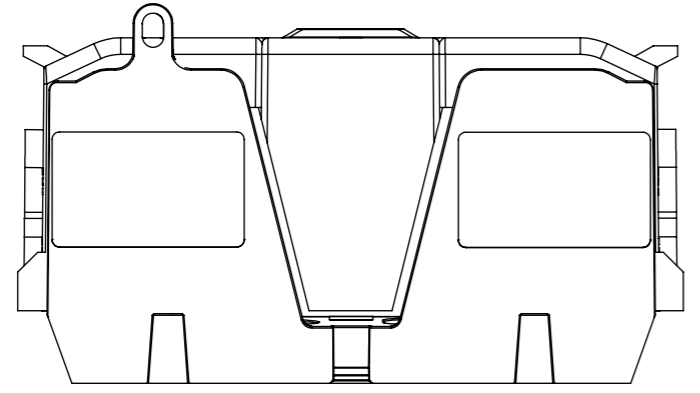
A



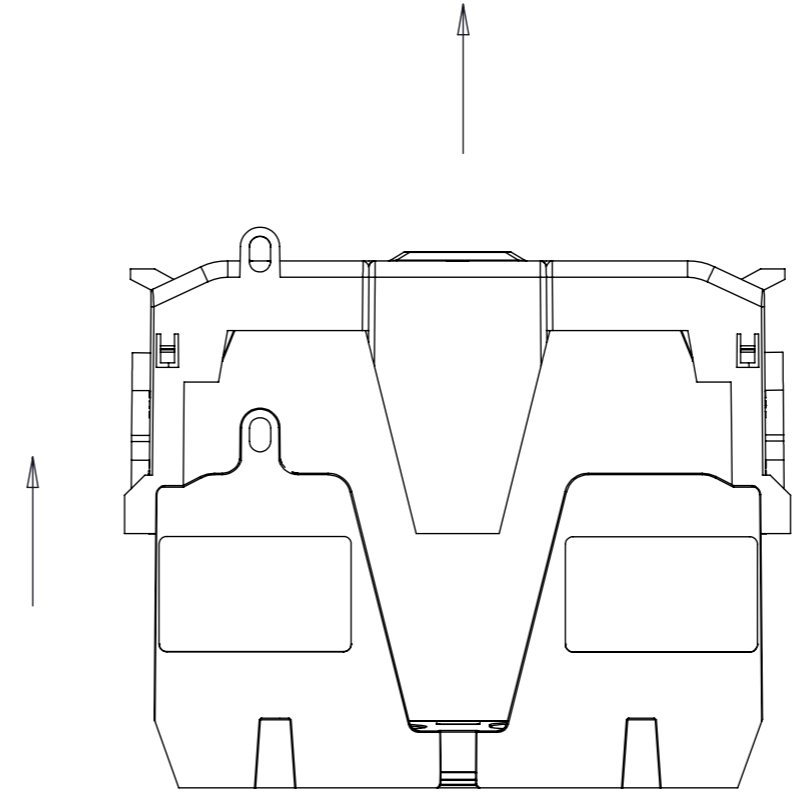
**PUSH DOWN**



**LIFT UP.  
THEN ROTATE COVER.**



→



**LIFT UP**

CUSTOMER PRINT

**Bussmann**  
by **E.T.N.**

TITLE  
**600V / 400A CLASS J FUSE BLOCK**

SIZE <b>A3</b>	DWG NO. <b>JM60400-SERIES-CP</b>	REV <b>B</b>
-------------------	-------------------------------------	-----------------

SCALE: 1:2.5 SHEET 5 OF 5

8 7 6 5 4 3 2 1

SIA3\_BUSSMANE\_GEPER\_REV\_A

# Mouser Electronics

Authorized Distributor

Click to View Pricing, Inventory, Delivery & Lifecycle Information:

Eaton:

[JM60400-3MW22](#)