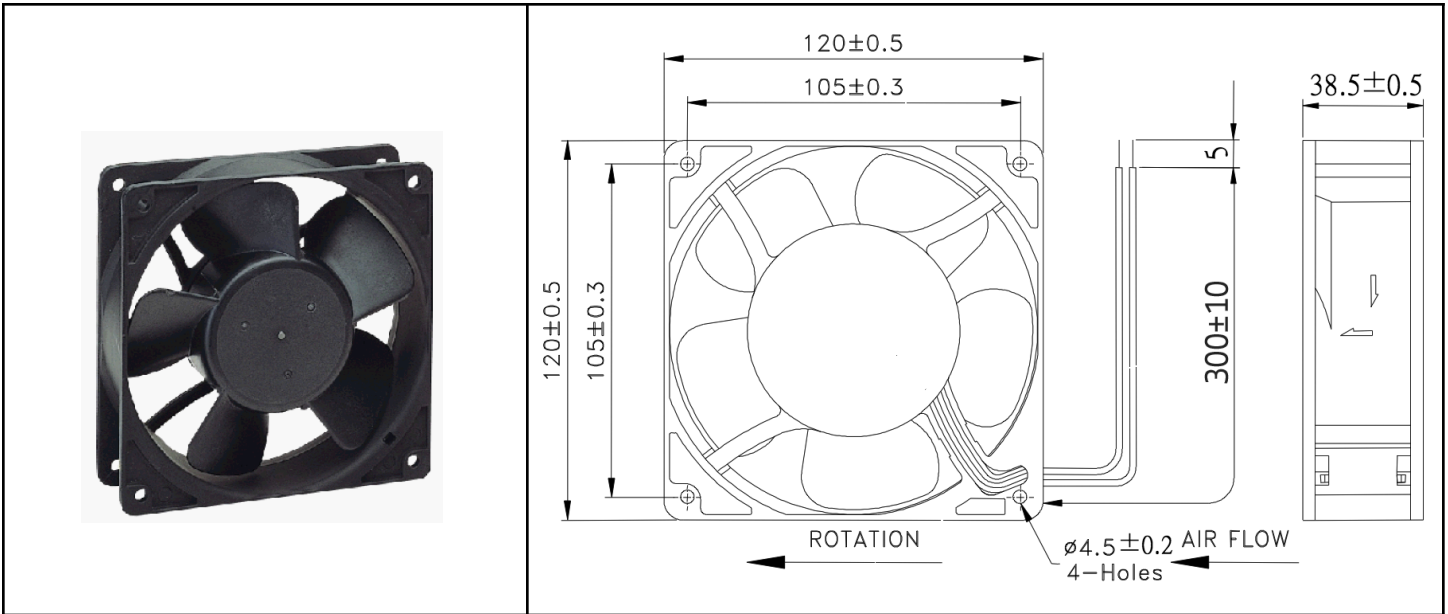


# OD1238 Series



DC Fan - 12V, 24V  
120x38mm (4.7"x 1.5")



Frame & Impeller	PBT, UL94V-O plastic	<b>Available Options:</b> Sleeve Bearing Ball Bearing Tachometer Alarm Thermal control PWM Input IP55 48V & 5V Life Expectancy (L10) 50,000+ hrs Operating Temperature -10 ~ 70C	
Connection	2x Lead wires 24AWG		
Motor	Brushless DC, auto restart, polarity protected		
Bearing System	Sealed Sleeve		
Insulation Resistance	10M ohm between leadwire and frame (500VDC)		
Dielectric Strength	1 second at 500 VAC, max leakage - 500 MicroAmp		

Model Number	OD1238-12HSS	OD1238-24MSS
Part Number	123143001	123222001
Nominal Voltage	12 VDC	24 VDC
Nominal Current	0.50	0.23 A
Rated Power	4.7 W	4.8 W
Rated Speed (RPM)	2800	2540
Airflow (CFM)	105	96
Noise Level (dB)	47	47
Max. Static Pressure	0.27" H <sub>2</sub> O	0.23" H <sub>2</sub> O

# Mouser Electronics

Authorized Distributor

Click to View Pricing, Inventory, Delivery & Lifecycle Information:

[Orion Fans:](#)

[OD1238-12HSS](#) [OD1238-24MSS](#)