

FEATURES

- *Guaranteed* 4.5nV/√Hz 10Hz Noise
- *Guaranteed* 3.8nV/√Hz 1kHz Noise
- 0.1Hz to 10Hz Noise, 60nV_{p-p} Typical
- *Guaranteed* 7 Million Min Voltage Gain, R_L = 2k
- *Guaranteed* 3 Million Min Voltage Gain, R_L = 600Ω
- *Guaranteed* 25μV Max Offset Voltage
- *Guaranteed* 0.6μV/°C Max Drift with Temperature
- *Guaranteed* 11V/μs Min Slew Rate (LT1037)
- *Guaranteed* 117dB Min CMRR

APPLICATIONS

- Low Noise Signal Processing
- Microvolt Accuracy Threshold Detection
- Strain Gauge Amplifiers
- Direct Coupled Audio Gain Stages
- Sine Wave Generators
- Tape Head Preamplifiers
- Microphone Preamplifiers

DESCRIPTION

The LT[®]1007/LT1037 series features the lowest noise performance available to date for monolithic operational amplifiers: 2.5nV/√Hz wideband noise (less than the noise of a 400Ω resistor), 1/f corner frequency of 2Hz and 60nV peak-to-peak 0.1Hz to 10Hz noise. Low noise is combined with outstanding precision and speed specifications: 10μV offset voltage, 0.2μV/°C drift, 130dB common mode and power supply rejection, and 60MHz gain bandwidth product on the decompensated LT1037, which is stable for closed-loop gains of 5 or greater.

The voltage gain of the LT1007/LT1037 is an extremely high 20 million driving a 2kΩ load and 12 million driving a 600Ω load to ±10V.

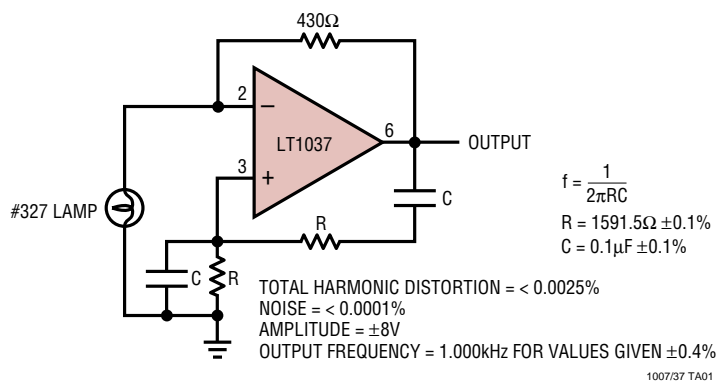
In the design, processing and testing of the device, particular attention has been paid to the optimization of the entire distribution of several key parameters. Consequently, the specifications of even the lowest cost grades (the LT1007C and the LT1037C) have been spectacularly improved compared to equivalent grades of competing amplifiers.

The sine wave generator application shown below utilizes the low noise and low distortion characteristics of the LT1037.

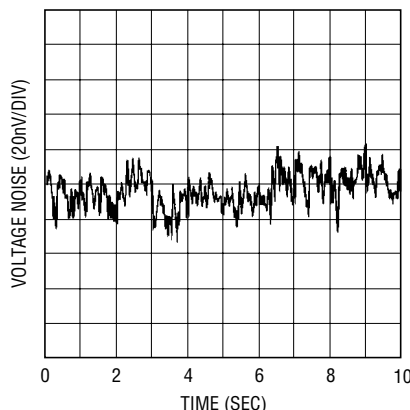
LT, LTC and LT are registered trademarks of Linear Technology Corporation.

TYPICAL APPLICATION

Ultrapure 1kHz Sine Wave Generator



0.1Hz to 10Hz Noise



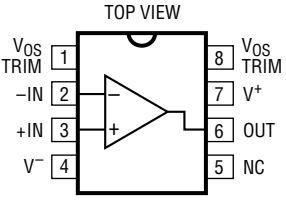
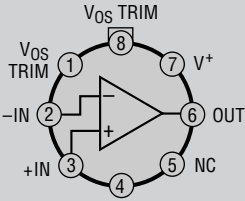
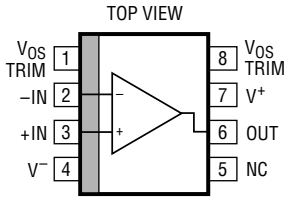
sn100737 100737fbs

LT1007/LT1037

ABSOLUTE MAXIMUM RATINGS (Note 1)

| | | | |
|---|----------------------------------|--|----------------------------------|
| Supply Voltage | $\pm 22V$ | Lead Temperature (Soldering, 10 sec.) | $300^{\circ}C$ |
| Input Voltage | Equal to Supply Voltage | Operating Temperature Range | |
| Output Short-Circuit Duration | Indefinite | LT1007/LT1037AC, C | $0^{\circ}C$ to $70^{\circ}C$ |
| Differential Input Current (Note 9) | $\pm 25mA$ | LT1007/LT1037I | $-40^{\circ}C$ to $85^{\circ}C$ |
| Storage Temperature Range | $-65^{\circ}C$ to $150^{\circ}C$ | LT1007/LT1037AM, M (OBSOLETE) | $-55^{\circ}C$ to $125^{\circ}C$ |

PACKAGE/ORDER INFORMATION

| | | |
|---|--|---|
|  <p>TOP VIEW</p> <p>N8 PACKAGE 8-LEAD PDIP</p> <p>$T_{JMAX} = 100^{\circ}C, \theta_{JA} = 130^{\circ}C/W$ (N8)</p> |  <p>TOP VIEW</p> <p>V_{OS} TRIM</p> <p>H PACKAGE 8-LEAD TO-5 METAL CAN</p> <p>$T_{JMAX} = 150^{\circ}C, \theta_{JA} = 150^{\circ}C/W, \theta_{JC} = 45^{\circ}C/W$</p> |  <p>TOP VIEW</p> <p>S8 PACKAGE 8-LEAD PLASTIC SO</p> <p>$T_{JMAX} = 150^{\circ}C, \theta_{JA} = 190^{\circ}C/W$</p> |
| ORDER PART NUMBER | ORDER PART NUMBER | ORDER PART NUMBER |
| LT1007ACN8 LT1037ACN8 LT1007CN8 LT1037CN8 LT1007IN8 LT1037IN8 | | LT1007CS8 LT1037CS8 LT1007IS8 LT1037IS8 |
| <p>J8 PACKAGE LEAD CERDIP</p> <p>$T_{JMAX} = 150^{\circ}C, \theta_{JA} = 100^{\circ}C/W$ (J8)</p> LT1007ACJ8 LT1037ACJ8 LT1007AMJ8 LT1037AMJ8 LT1007CJ8 LT1037CJ8 LT1007MJ8 LT1037MJ8 | LT1007ACH LT1037ACH LT1007AMH LT1037AMH LT1007CH LT1037CH LT1007MH LT1037MH | S8 PART MARKING |
| OBSOLETE PACKAGE Consider the N8 Package for Alternate Source | OBSOLETE PACKAGE Consider the N8 or S8 Package for Alternate Source | 1007 1037 1007I 1037I |

Consult LTC Marketing for parts specified with wider operating temperature ranges.

ELECTRICAL CHARACTERISTICS $V_S = \pm 15V, T_A = 25^{\circ}C$, unless otherwise noted.

| SYMBOL | PARAMETER | CONDITIONS | LT1007AC/AM LT1037AC/AM | | | LT1007C/I/M LT1037C/I/M | | | UNITS |
|-------------------------------------|--|--|----------------------------|------------|------------|----------------------------|------------|------------|----------------------------------|
| | | | MIN | TYP | MAX | MIN | TYP | MAX | |
| V_{OS} | Input Offset Voltage | (Note 2) | | 10 | 25 | | 20 | 60 | μV |
| $\frac{\Delta V_{OS}}{\Delta Time}$ | Long Term Input Offset Voltage Stability | (Notes 3, 4) | | 0.2 | 1.0 | | 0.2 | 1.0 | $\mu V/Mo$ |
| I_{OS} | Input Offset Current | | | 7 | 30 | | 12 | 50 | nA |
| I_B | Input Bias Current | | | ± 10 | ± 35 | | ± 15 | ± 55 | nA |
| e_n | Input Noise Voltage | 0.1Hz to 10Hz (Notes 4, 6) | | 0.06 | 0.13 | | 0.06 | 0.13 | μV_{p-p} |
| | Input Noise Voltage Density | $f_0 = 10Hz$ (Notes 4, 5) $f_0 = 1000Hz$ (Note 4) | | 2.8 2.5 | 4.5 3.8 | | 2.8 2.5 | 4.5 3.8 | nV/\sqrt{Hz} nV/\sqrt{Hz} |
| i_n | Input Noise Current Density | $f_0 = 10Hz$ (Notes 4, 7) $f_0 = 1000Hz$ (Notes 4, 7) | | 1.5 0.4 | 4.0 0.6 | | 1.5 0.4 | 4.0 0.6 | pA/\sqrt{Hz} pA/\sqrt{Hz} |

sn100737 100737/bs

ELECTRICAL CHARACTERISTICS $V_S = \pm 15V$, $T_A = 25^\circ C$, unless otherwise noted.

| SYMBOL | PARAMETER | CONDITIONS | LT1007AC/AM LT1037AC/AM | | | LT1007C/I/M LT1037C/I/M | | | UNITS |
|-----------|-------------------------------|--|----------------------------|-------|-----|----------------------------|-------|-----|-------|
| | | | MIN | TYP | MAX | MIN | TYP | MAX | |
| | Input Resistance, Common Mode | | 7 | | | 5 | | | GΩ |
| | Input Voltage Range | | ±11.0 | ±12.5 | | ±11.0 | ±12.5 | | V |
| CMRR | Common Mode Rejection Ratio | $V_{CM} = \pm 11V$ | 117 | 130 | | 110 | 126 | | dB |
| PSRR | Power Supply Rejection Ratio | $V_S = \pm 4V$ to $\pm 18V$ | 110 | 130 | | 106 | 126 | | dB |
| A_{VOL} | Large-Signal Voltage Gain | $R_L \geq 2k$, $V_O = \pm 12V$ | 7.0 | 20.0 | | 5.0 | 20.0 | | V/μV |
| | | $R_L \geq 1k$, $V_O = \pm 10V$ | 5.0 | 16.0 | | 3.5 | 16.0 | | V/μV |
| | | $R_L \geq 600\Omega$, $V_O = \pm 10V$ | 3.0 | 12.0 | | 2.0 | 12.0 | | V/μV |
| V_{OUT} | Maximum Output Voltage Swing | $R_L \geq 2k$ | ±13.0 | ±13.8 | | ±12.5 | ±13.5 | | V |
| | | $R_L \geq 600\Omega$ | ±11.0 | ±12.5 | | ±10.5 | ±12.5 | | V |
| SR | Slew Rate | LT1007 | 1.7 | 2.5 | | 1.7 | 2.5 | | V/μs |
| | | LT1037 | 11 | 15 | | 11 | 15 | | V/μs |
| GBW | Gain Bandwidth | LT1007 | 5.0 | 8.0 | | 5.0 | 8.0 | | MHz |
| | Product | LT1037 | 45 | 60 | | 45 | 60 | | MHz |
| Z_O | Open-Loop Output Resistance | $V_O = 0V$, $I_O = 0$ | 70 | | | 70 | | | Ω |
| P_D | Power Dissipation | LT1007 | 80 | | | 80 | | | mW |
| | | LT1037 | 80 | | | 85 | | | mW |

The ● denotes the specifications which apply over the temperature range $0^\circ C \leq T_A \leq 70^\circ C$, $V_S = \pm 15V$, unless otherwise noted.

| SYMBOL | PARAMETER | CONDITIONS | LT1007AC LT1037AC | | | LT1007C LT1037C | | | UNITS |
|-------------------------------------|------------------------------|---------------------------------|----------------------|-------|-------|--------------------|-------|-------|-------|
| | | | MIN | TYP | MAX | MIN | TYP | MAX | |
| V_{OS} | Input Offset Voltage | (Note 2) | ● | 20 | 50 | | 35 | 110 | μV |
| $\frac{\Delta V_{OS}}{\Delta Temp}$ | Average Input Offset Drift | (Note 10) | ● | 0.2 | 0.6 | | 0.3 | 1.0 | μV/°C |
| I_{OS} | Input Offset Current | | ● | 10 | 40 | | 15 | 70 | nA |
| I_B | Input Bias Current | | ● | ±14 | ±45 | | ±20 | ±75 | nA |
| | Input Voltage Range | | ● | ±10.5 | ±11.8 | | ±10.5 | ±11.8 | V |
| CMRR | Common Mode Rejection Ratio | $V_{CM} = \pm 10.5V$ | ● | 114 | 126 | | 106 | 120 | dB |
| PSRR | Power Supply Rejection Ratio | $V_S = \pm 4.5V$ to $\pm 18V$ | ● | 106 | 126 | | 102 | 120 | dB |
| A_{VOL} | Large-Signal Voltage Gain | $R_L \geq 2k$, $V_O = \pm 10V$ | ● | 4.0 | 18.0 | | 2.5 | 18.0 | V/μV |
| | | $R_L \geq 1k$, $V_O = \pm 10V$ | ● | 2.5 | 14.0 | | 2.0 | 14.0 | V/μV |
| V_{OUT} | Maximum Output Voltage Swing | $R_L \geq 2k$ | ● | ±12.5 | ±13.6 | | ±12.0 | ±13.6 | V |
| P_D | Power Dissipation | | ● | 90 | 144 | | 90 | 160 | mW |

ELECTRICAL CHARACTERISTICS

The ● denotes the specifications which apply over the temperature range $-40^{\circ}\text{C} \leq T_A \leq 85^{\circ}\text{C}$, $V_S = \pm 15\text{V}$, unless otherwise noted.

| SYMBOL | PARAMETER | CONDITIONS | LT1007I/LT1037I | | | UNITS |
|--|------------------------------|--|-----------------|------------|------------|--------------------------------|
| | | | MIN | TYP | MAX | |
| V_{OS} | Input Offset Voltage | (Note 2) | ● | 40 | 125 | μV |
| $\frac{\Delta V_{OS}}{\Delta \text{Temp}}$ | Average Input Offset Drift | (Note 10) | ● | 0.3 | 1.0 | $\mu\text{V}/^{\circ}\text{C}$ |
| I_{OS} | Input Offset Current | | ● | 20 | 80 | nA |
| I_B | Input Bias Current | | ● | ± 25 | ± 90 | nA |
| | Input Voltage Range | | ● | ± 10 | ± 11.7 | V |
| CMRR | Common Mode Rejection Ratio | $V_{CM} = \pm 10.5\text{V}$ | ● | 105 | 120 | dB |
| PSRR | Power Supply Rejection Ratio | $V_S = \pm 4.5\text{V to } \pm 18\text{V}$ | ● | 101 | 120 | dB |
| A_{VOL} | Large-Signal Voltage Gain | $R_L \geq 2\text{k}, V_O = \pm 10\text{V}$ | ● | 2.0 | 15.0 | $\text{V}/\mu\text{V}$ |
| | | $R_L \geq 1\text{k}, V_O = \pm 10\text{V}$ | ● | 1.5 | 12.0 | $\text{V}/\mu\text{V}$ |
| V_{OUT} | Maximum Output Voltage Swing | $R_L \geq 2\text{k}$ | ● | ± 12.0 | ± 13.6 | V |
| P_D | Power Dissipation | | ● | 95 | 165 | mW |

The ● denotes the specifications which apply over the temperature range $-55^{\circ}\text{C} \leq T_A \leq 125^{\circ}\text{C}$, $V_S = \pm 15\text{V}$, unless otherwise noted.

| SYMBOL | PARAMETER | CONDITIONS | LT1007AM/LT1037AM | | | LT1007M/LT1037M | | | UNITS |
|--|------------------------------|--|-------------------|------------|------------|-----------------|------------|--------------------------------|-------|
| | | | MIN | TYP | MAX | MIN | TYP | MAX | |
| V_{OS} | Input Offset Voltage | (Note 2) | ● | 25 | 60 | 50 | 160 | μV | |
| $\frac{\Delta V_{OS}}{\Delta \text{Temp}}$ | Average Input Offset Drift | (Note 10) | ● | 0.2 | 0.6 | 0.3 | 1.0 | $\mu\text{V}/^{\circ}\text{C}$ | |
| I_{OS} | Input Offset Current | | ● | 15 | 50 | 20 | 85 | nA | |
| I_B | Input Bias Current | | ● | ± 20 | ± 60 | ± 35 | ± 95 | nA | |
| | Input Voltage Range | | ● | ± 10.3 | ± 11.5 | ± 10.3 | ± 11.5 | V | |
| CMRR | Common Mode Rejection Ratio | $V_{CM} = \pm 10.3\text{V}$ | ● | 112 | 126 | 104 | 120 | dB | |
| PSRR | Power Supply Rejection Ratio | $V_S = \pm 4.5\text{V to } \pm 18\text{V}$ | ● | 104 | 126 | 100 | 120 | dB | |
| A_{VOL} | Large-Signal Voltage Gain | $R_L \geq 2\text{k}, V_O = \pm 10\text{V}$ | ● | 3.0 | 14.0 | 2.0 | 14.0 | $\text{V}/\mu\text{V}$ | |
| | | $R_L \geq 1\text{k}, V_O = \pm 10\text{V}$ | ● | 2.0 | 10.0 | 1.5 | 10.0 | $\text{V}/\mu\text{V}$ | |
| V_{OUT} | Maximum Output Voltage Swing | $R_L \geq 2\text{k}$ | ● | ± 12.5 | ± 13.5 | ± 12.0 | ± 13.5 | V | |
| P_D | Power Dissipation | | ● | 100 | 150 | 100 | 170 | mW | |

For MIL-STD components, please refer to LTC 883C data sheet for test listing and parameters.

Note 1: Absolute Maximum Ratings are those values beyond which the life of a device may be impaired.

Note 2: Input Offset Voltage measurements are performed by automatic test equipment approximately 0.5 seconds after application of power. AM and AC grades are guaranteed fully warmed up.

Note 3: Long Term Input Offset Voltage Stability refers to the average trend line of Offset Voltage vs Time over extended periods after the first 30 days of operation. Excluding the initial hour of operation, changes in V_{OS} during the first 30 days are typically $2.5\mu\text{V}$. Refer to typical performance curve.

Note 4: This parameter is tested on a sample basis only.

Note 5: 10Hz noise voltage density is sample tested on every lot. Devices 100% tested at 10Hz are available on request.

Note 6: See the test circuit and frequency response curve for 0.1Hz to 10Hz tester in the Applications Information section.

Note 7: See the test circuit for current noise measurement in the Applications Information section.

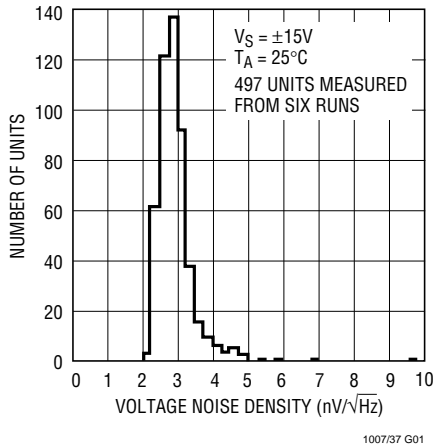
Note 8: This parameter is guaranteed by design and is not tested.

Note 9: The inputs are protected by back-to-back diodes. Current limiting resistors are not used in order to achieve low noise. If differential input voltage exceeds $\pm 0.7\text{V}$, the input current should be limited to 25mA.

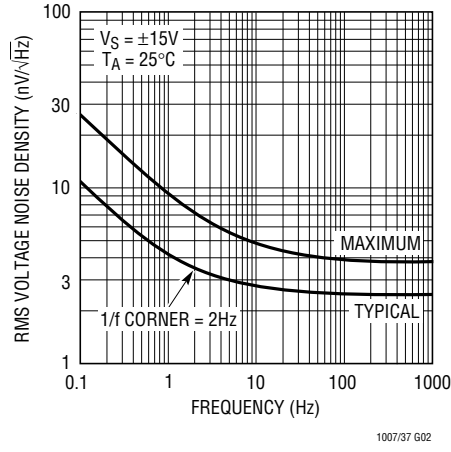
Note 10: The Average Input Offset Drift performance is within the specifications unnullled or when nullled with a pot having a range of $8\text{k}\Omega$ to $20\text{k}\Omega$.

TYPICAL PERFORMANCE CHARACTERISTICS

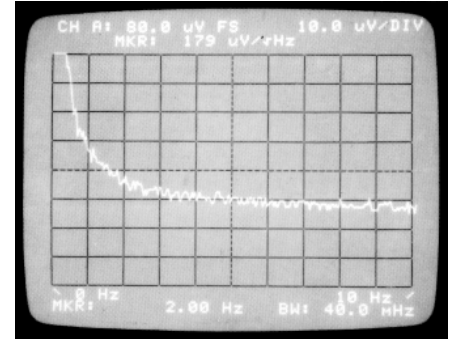
10Hz Voltage Noise Distribution



Voltage Noise vs Frequency



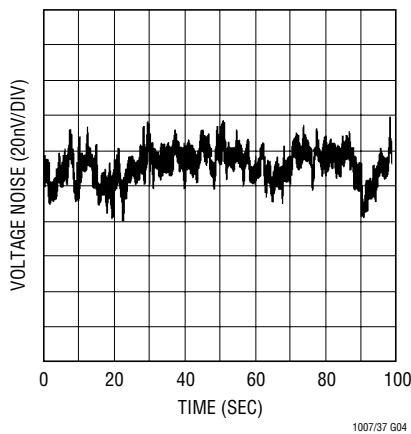
0.02Hz to 10Hz RMS Noise. Gain = 50,000 (Measured on HP3582 Spectrum Analyzer)



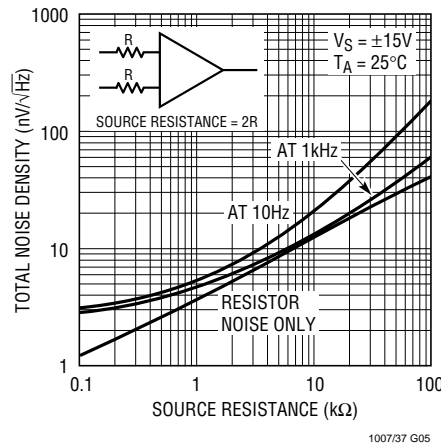
MARKER AT 2Hz (= 1/f CORNER) = $\frac{179 \mu\text{V}/\sqrt{\text{Hz}}}{50,000} = 3.59 \frac{\text{nV}}{\sqrt{\text{Hz}}}$

1007/37 G03

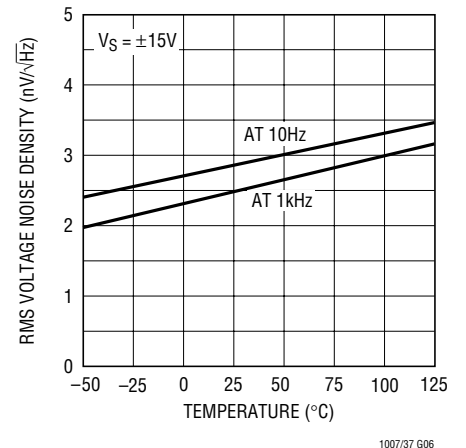
0.01Hz to 1Hz Peak-to-Peak Noise



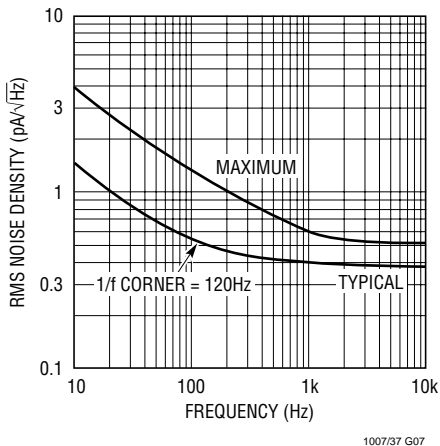
Total Noise vs Source Resistance



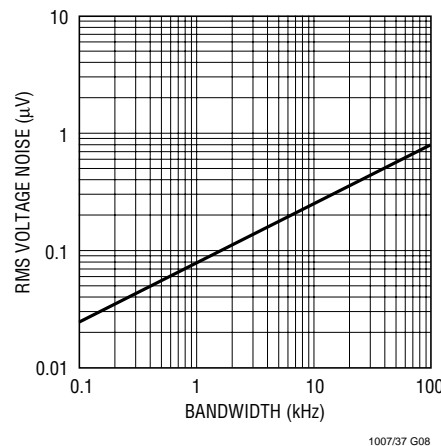
Voltage Noise vs Temperature



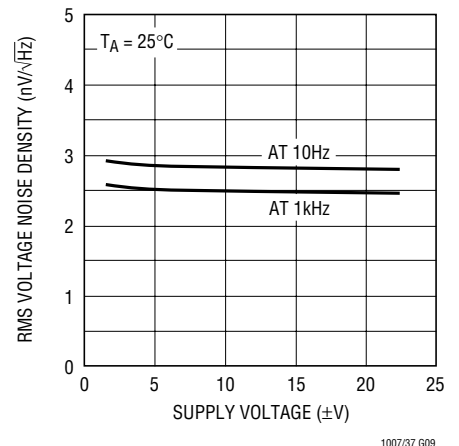
Current Noise vs Frequency



Wideband Voltage Noise (0.1Hz to Frequency Indicated)

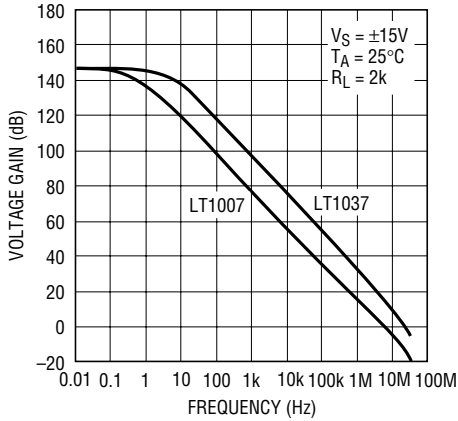


Voltage Noise vs Supply Voltage



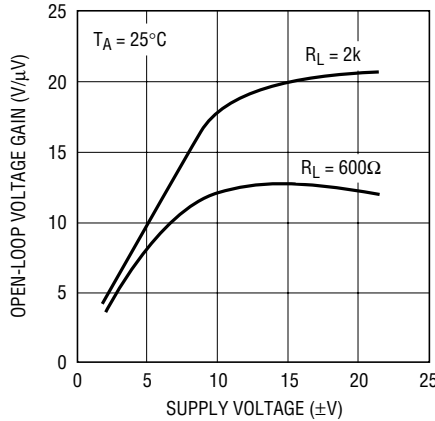
TYPICAL PERFORMANCE CHARACTERISTICS

Voltage Gain vs Frequency



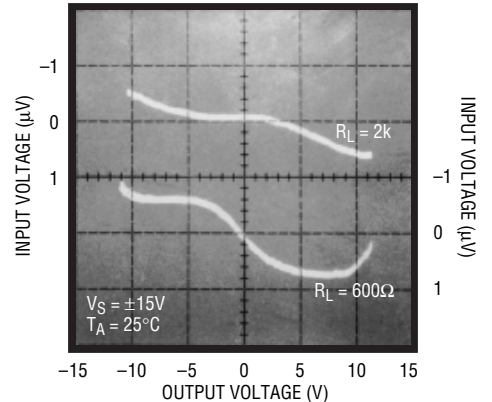
1007/37 G10

Voltage Gain vs Supply Voltage



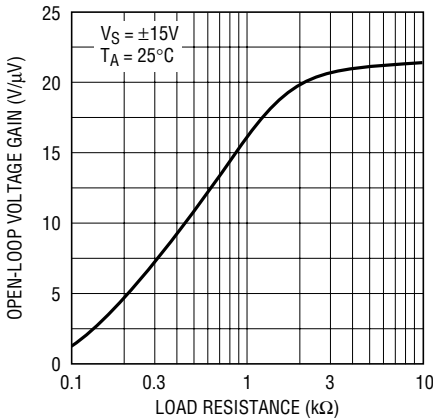
1007/37 G11

Voltage Gain, $R_L = 2k$ and 600Ω



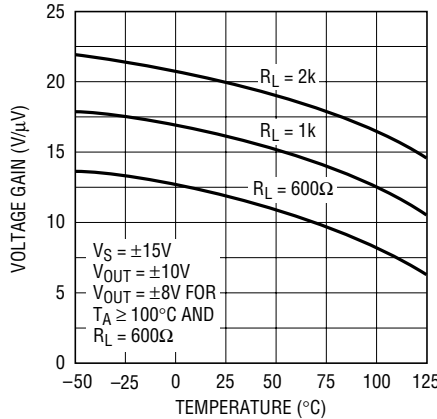
1007/37 G12

Voltage Gain vs Load Resistance



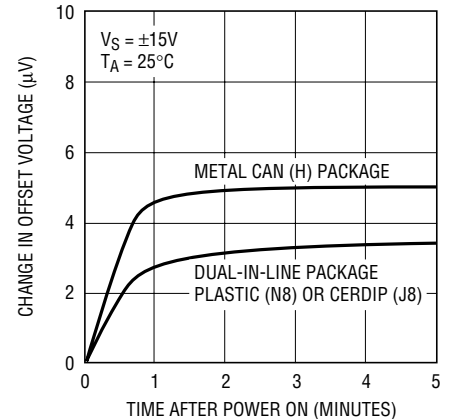
1007/37 G13

Voltage Gain vs Temperature



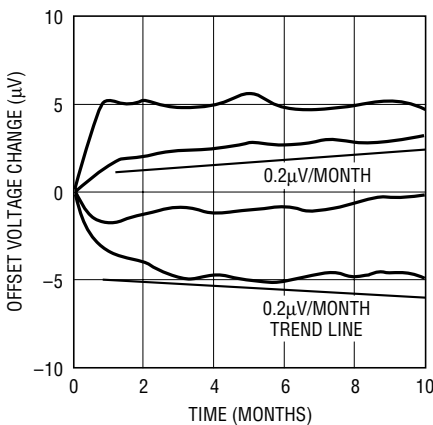
1007/37 G14

Warm-Up Drift



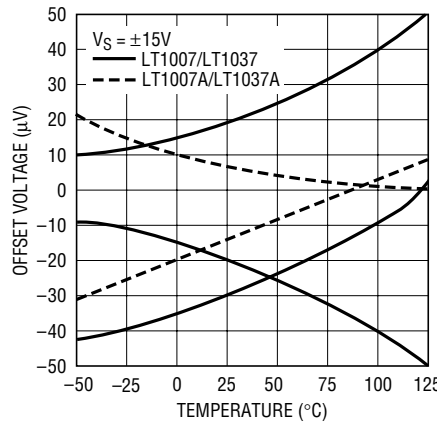
1007/37 G15

Long Term Stability of Four Representative Units



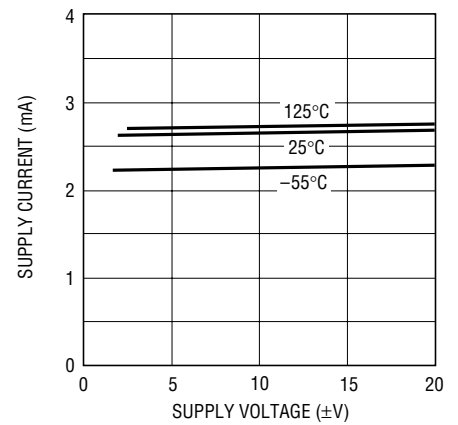
1007/37 G16

Offset Voltage Drift with Temperature of Representative Units



1007/37 G17

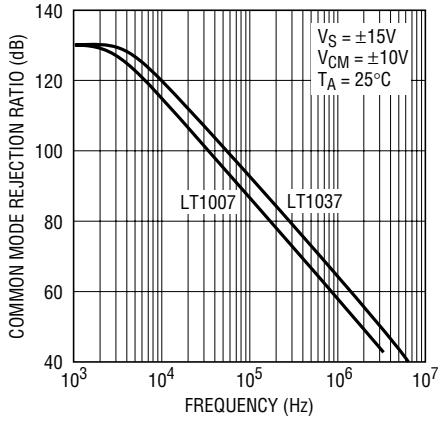
Supply Current vs Supply Voltage



1007/37 G18

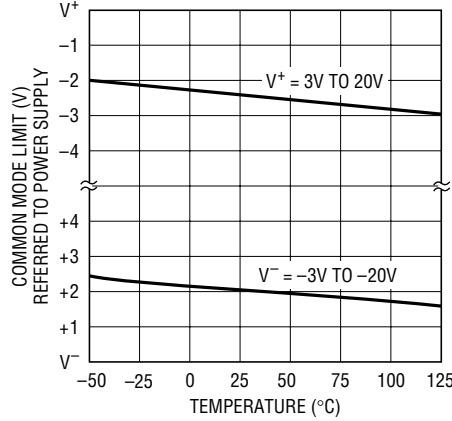
TYPICAL PERFORMANCE CHARACTERISTICS

Common Mode Rejection vs Frequency



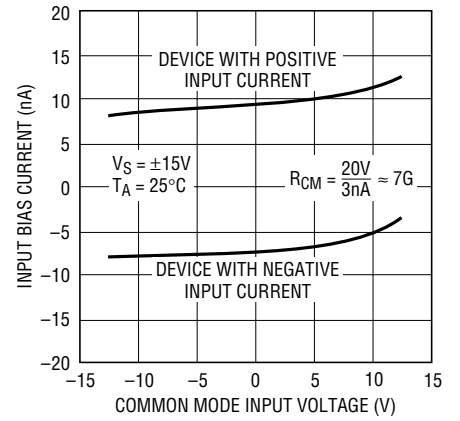
1007/37 G19

Common Mode Limit vs Temperature



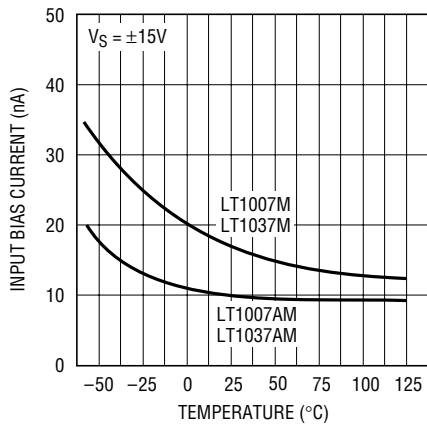
1007/37 G20

Input Bias Current Over the Common Mode Range



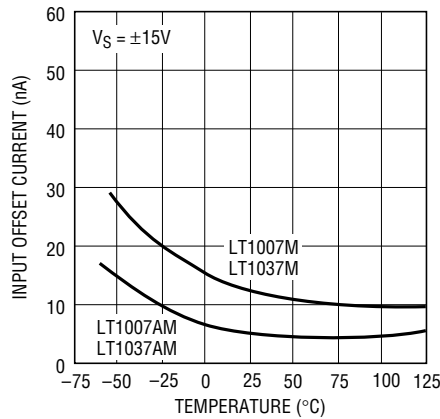
1007/37 G21

Input Bias Current vs Temperature



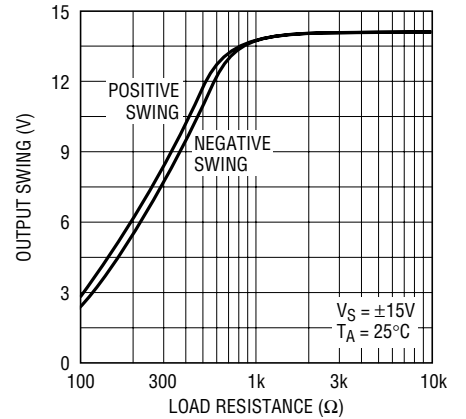
1007/37 G22

Input Offset Current vs Temperature



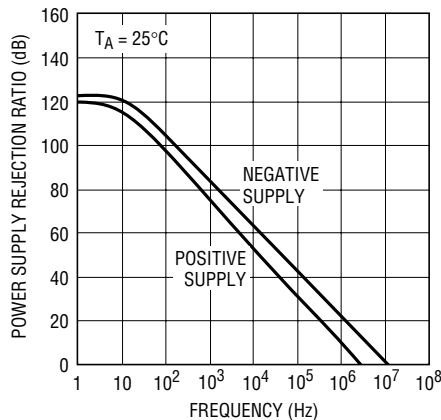
1007/37 G23

Output Swing vs Load Resistance



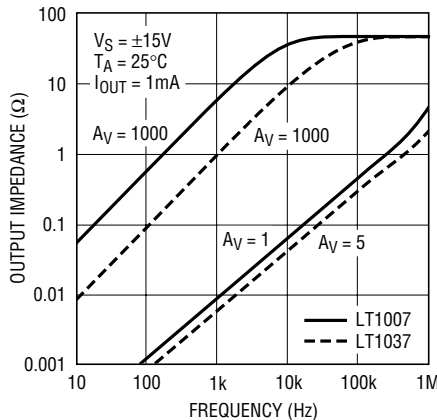
1007/37 G24

PSRR vs Frequency



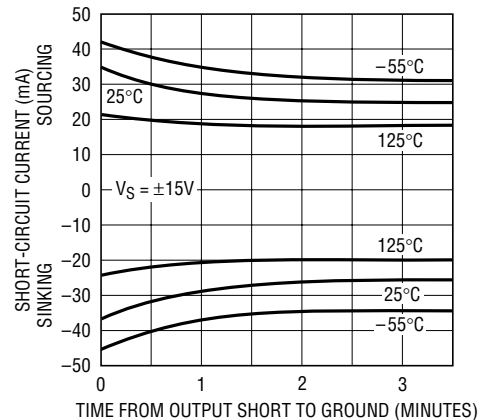
1195 G25

Closed-Loop Output Impedance



1007/37 G26

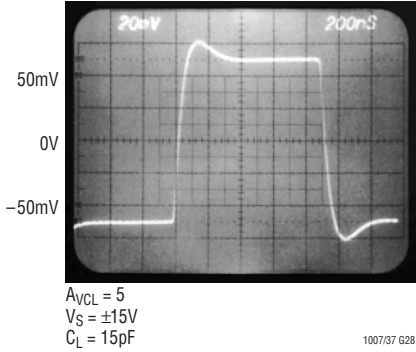
Output Short-Circuit Current vs Time



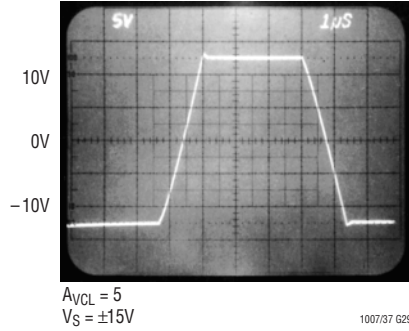
1007/37 G27

TYPICAL PERFORMANCE CHARACTERISTICS

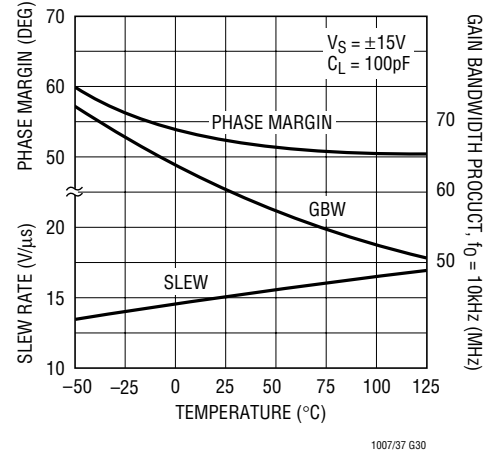
LT1037 Small-Signal Transient Response



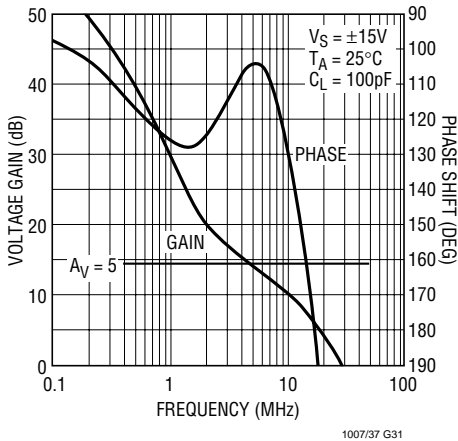
LT1037 Large-Signal Response



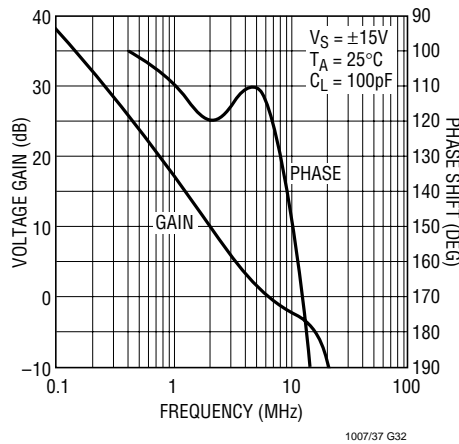
LT1037 Phase Margin, Gain Bandwidth Product, Slew Rate vs Temperature



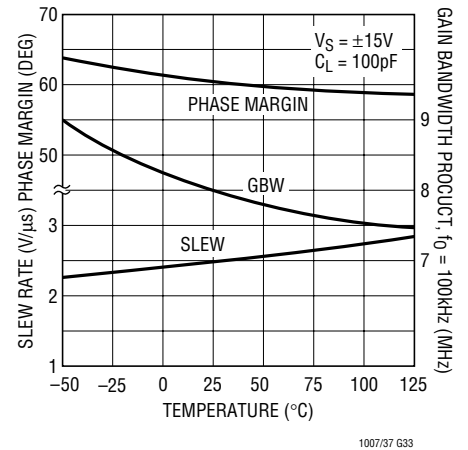
LT1037 Gain, Phase Shift vs Frequency



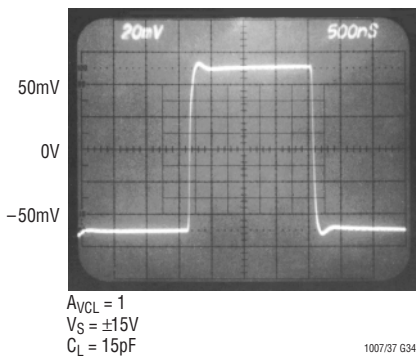
LT1007 Gain, Phase Shift vs Frequency



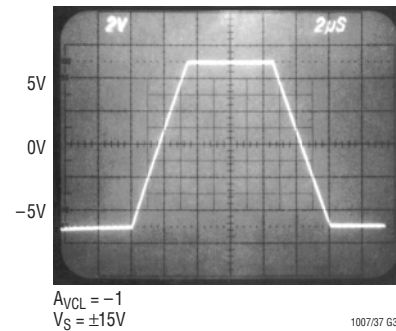
LT1007 Phase Margin, Gain Bandwidth Product, Slew Rate vs Temperature



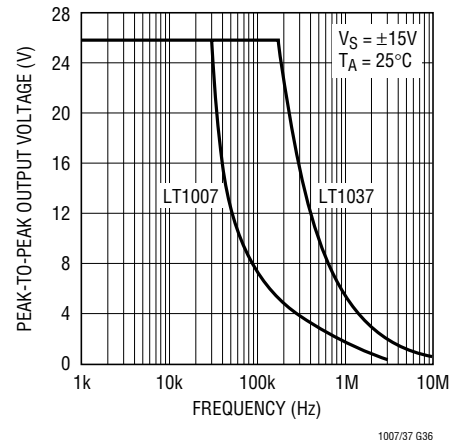
LT1007 Small-Signal Transient Response



LT1007 Large-Signal Response



Maximum Undistorted Output vs Frequency



APPLICATIONS INFORMATION

General

The LT1007/LT1037 series devices may be inserted directly into OP-07, OP-27, OP-37 and 5534 sockets with or without removal of external compensation or nulling components. In addition, the LT1007/LT1037 may be fitted to 741 sockets with the removal or modification of external nulling components.

Offset Voltage Adjustment

The input offset voltage of the LT1007/LT1037 and its drift with temperature, are permanently trimmed at wafer testing to a low level. However, if further adjustment of V_{OS} is necessary, the use of a 10k Ω nulling potentiometer will not degrade drift with temperature. Trimming to a value other than zero creates a drift of $(V_{OS}/300)\mu\text{V}/^\circ\text{C}$, e.g., if V_{OS} is adjusted to 300 μV , the change in drift will be 1 $\mu\text{V}/^\circ\text{C}$ (Figure 1).

The adjustment range with a 10k Ω pot is approximately $\pm 2.5\text{mV}$. If less adjustment range is needed, the sensitivity and resolution of the nulling can be improved by using a smaller pot in conjunction with fixed resistors. The example has an approximate null range of $\pm 200\mu\text{V}$ (Figure 2).

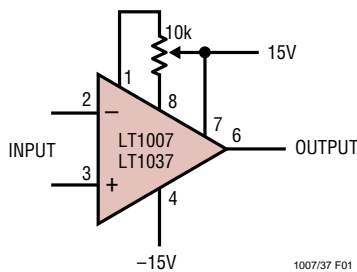


Figure 1. Standard Adjustment

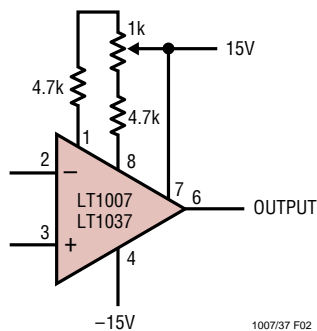


Figure 2. Improved Sensitivity Adjustment

Offset Voltage and Drift

Thermocouple effects, caused by temperature gradients across dissimilar metals at the contacts to the input terminals, can exceed the inherent drift of the amplifier unless proper care is exercised. Air currents should be minimized, package leads should be short, the two input leads should be close together and maintained at the same temperature.

The circuit shown to measure offset voltage is also used as the burn-in configuration for the LT1007/LT1037, with the supply voltages increased to $\pm 20\text{V}$ (Figure 3).

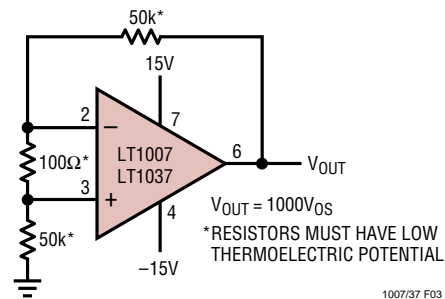


Figure 3. Test Circuit for Offset Voltage and Offset Voltage Drift with Temperature

Unity-Gain Buffer Application (LT1007 Only)

When $R_F \leq 100\Omega$ and the input is driven with a fast, large-signal pulse ($>1\text{V}$), the output waveform will look as shown in the pulsed operation diagram (Figure 4).

During the fast feedthrough-like portion of the output, the input protection diodes effectively short the output to the input and a current, limited only by the output short-circuit protection, will be drawn by the signal generator. With $R_F \geq 500\Omega$, the output is capable of handling the current requirements ($I_L \leq 20\text{mA}$ at 10V) and the amplifier stays in its active mode and a smooth transition will occur.

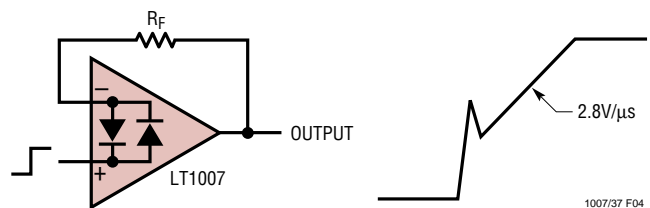


Figure 4. Pulsed Operation

APPLICATIONS INFORMATION

As with all operational amplifiers when $R_F > 2k$, a pole will be created with R_F and the amplifier's input capacitance, creating additional phase shift and reducing the phase margin. A small capacitor (20pF to 50pF) in parallel with R_F will eliminate this problem.

Noise Testing

The 0.1Hz to 10Hz peak-to-peak noise of the LT1007/LT1037 is measured in the test circuit shown (Figure 5a). The frequency response of this noise tester (Figure 5b) indicates that the 0.1Hz corner is defined by only one zero. The test time to measure 0.1Hz to 10Hz noise should not exceed ten seconds, as this time limit acts as an additional zero to eliminate noise contributions from the frequency band below 0.1Hz.

Measuring the typical 60nV peak-to-peak noise performance of the LT1007/LT1037 requires special test precautions:

1. The device should be warmed up for at least five minutes. As the op amp warms up, its offset voltage changes typically $3\mu\text{V}$ due to its chip temperature increasing 10°C to 20°C from the moment the power supplies are turned on. In the ten-second measurement interval these temperature-induced effects can easily exceed tens of nanovolts.
2. For similar reasons, the device must be well shielded from air currents to eliminate the possibility of thermo-

electric effects in excess of a few nanovolts, which would invalidate the measurements.

3. Sudden motion in the vicinity of the device can also "feedthrough" to increase the observed noise.

A noise voltage density test is recommended when measuring noise on a large number of units. A 10Hz noise voltage density measurement will correlate well with a 0.1Hz to 10Hz peak-to-peak noise reading since both results are determined by the white noise and the location of the $1/f$ corner frequency.

Current noise is measured in the circuit shown in Figure 6 and calculated by the following formula:

$$i_n = \frac{\left[(e_{no})^2 - (130\text{nV} \cdot 101)^2 \right]^{1/2}}{(1\text{M}\Omega)(101)}$$

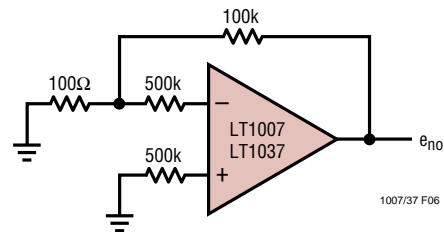
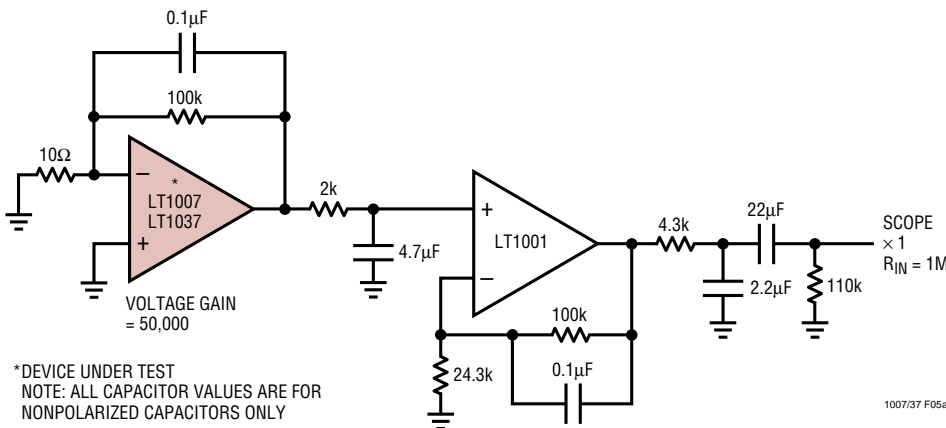


Figure 6



* DEVICE UNDER TEST
NOTE: ALL CAPACITOR VALUES ARE FOR NONPOLARIZED CAPACITORS ONLY

Figure 5a. 0.1Hz to 10Hz Noise Test Circuit

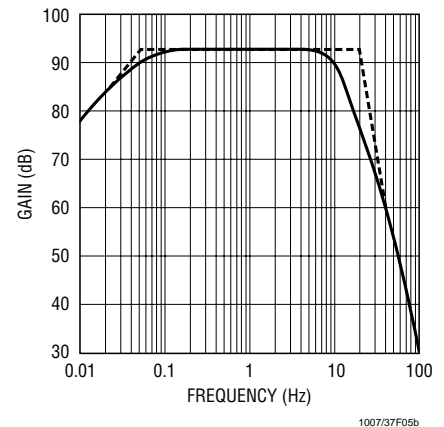


Figure 5b. 0.1Hz to 10Hz Peak-to-Peak Noise Tester Frequency Response

APPLICATIONS INFORMATION

The LT1007/LT1037 achieve their low noise, in part, by operating the input stage at 120μA versus the typical 10μA of most other op amps. Voltage noise is inversely proportional while current noise is directly proportional to the square root of the input stage current. Therefore, the LT1007/LT1037's current noise will be relatively high. At low frequencies, the low 1/f current noise corner frequency (≈120Hz) minimizes current noise to some extent.

In most practical applications, however, current noise will not limit system performance. This is illustrated in the Total Noise vs Source Resistance plot in the Typical Performance Characteristics section, where:

$$\text{Total Noise} = [(\text{voltage noise})^2 + (\text{current noise} \cdot R_S)^2 + (\text{resistor noise})^2]^{1/2}$$

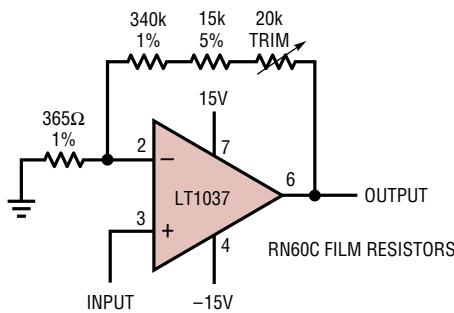
Three regions can be identified as a function of source resistance:

- (i) $R_S \leq 400\Omega$. Voltage noise dominates
- (ii) $400\Omega \leq R_S \leq 50k$ at 1kHz } Resistor noise dominates
- $400\Omega \leq R_S \leq 8k$ at 10Hz } Resistor noise dominates
- (iii) $R_S > 50k$ at 1kHz } Current noise dominates
- $R_S > 8k$ at 10Hz } Current noise dominates

Clearly the LT1007/LT1037 should not be used in region (iii), where total system noise is at least six times higher than the voltage noise of the op amp, i.e., the low voltage noise specification is completely wasted.

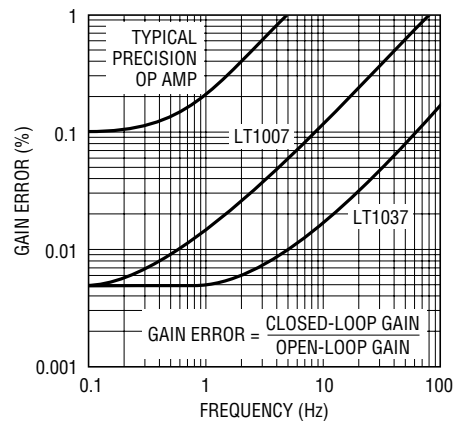
TYPICAL APPLICATIONS

Gain 1000 Amplifier with 0.01% Accuracy, DC to 5Hz



THE HIGH GAIN AND WIDE BANDWIDTH OF THE LT1037 (AND LT1007) IS USEFUL IN LOW FREQUENCY, HIGH CLOSED-LOOP GAIN AMPLIFIER APPLICATIONS. A TYPICAL PRECISION OP AMP MAY HAVE AN OPEN-LOOP GAIN OF ONE MILLION WITH 500kHz BANDWIDTH. AS THE GAIN ERROR PLOT SHOWS, THIS DEVICE IS CAPABLE OF 0.1% AMPLIFYING ACCURACY UP TO 0.3Hz ONLY. EVEN INSTRUMENTATION RANGE SIGNALS CAN VARY AT A FASTER RATE. THE LT1037'S "GAIN PRECISION-BANDWIDTH PRODUCT" IS 200 TIMES HIGHER AS SHOWN.

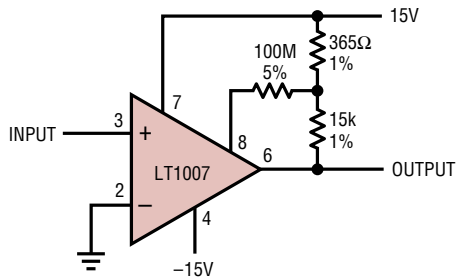
Gain Error vs Frequency
Closed-Loop Gain = 1000



1007/37 TA03

TYPICAL APPLICATIONS

Microvolt Comparator with Hysteresis

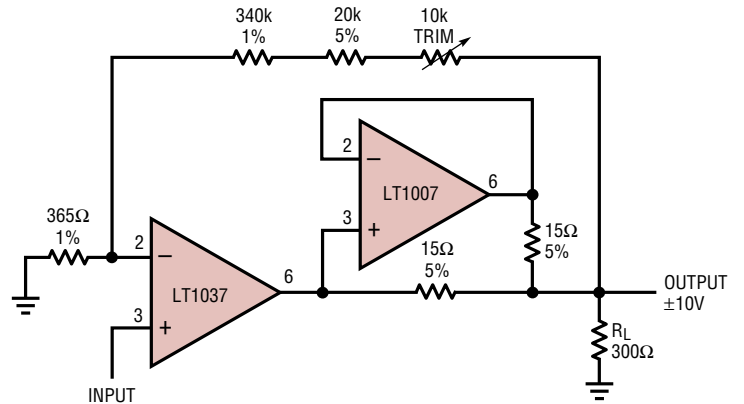


POSITIVE FEEDBACK TO ONE OF THE NULLING TERMINALS CREATES APPROXIMATELY 5μV OF HYSTERESIS. OUTPUT CAN SINK 16mA.

INPUT OFFSET VOLTAGE IS TYPICALLY CHANGED LESS THAN 5μV DUE TO THE FEEDBACK.

1007/37 TA04

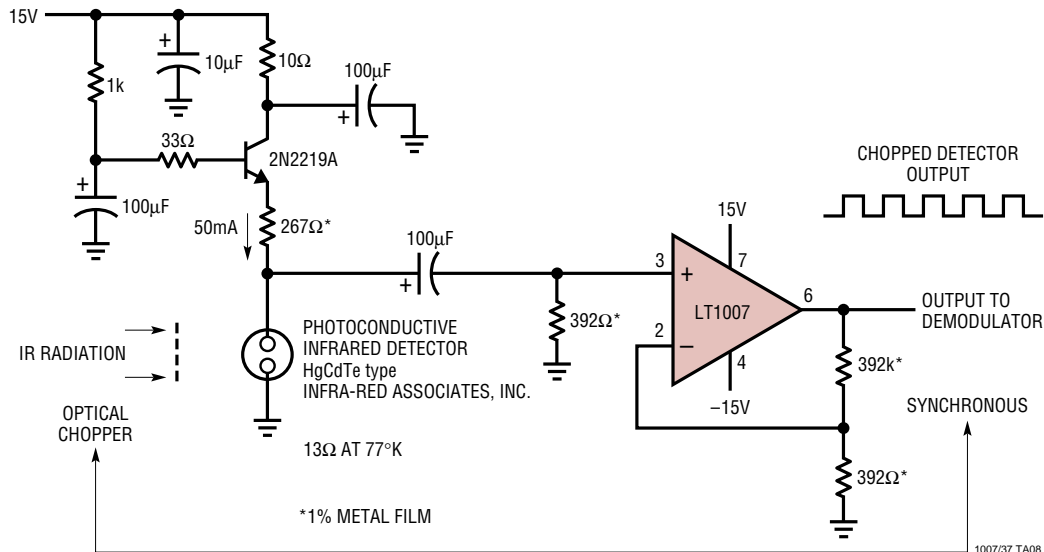
Precision Amplifier Drives 300Ω Load to ±10V



THE ADDITION OF THE LT1007 DOUBLES THE AMPLIFIER'S OUTPUT DRIVE TO ±33mA. GAIN ACCURACY IS 0.02%, SLIGHTLY DEGRADED COMPARED TO ABOVE BECAUSE OF SELF-HEATING OF THE LT1037 UNDER LOAD.

1007/37 TA05

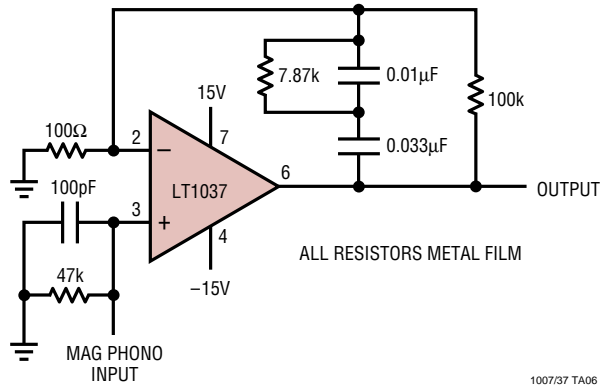
Infrared Detector Preamplifier



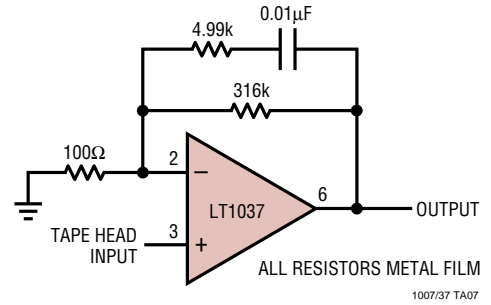
1007/37 TA08

TYPICAL APPLICATIONS

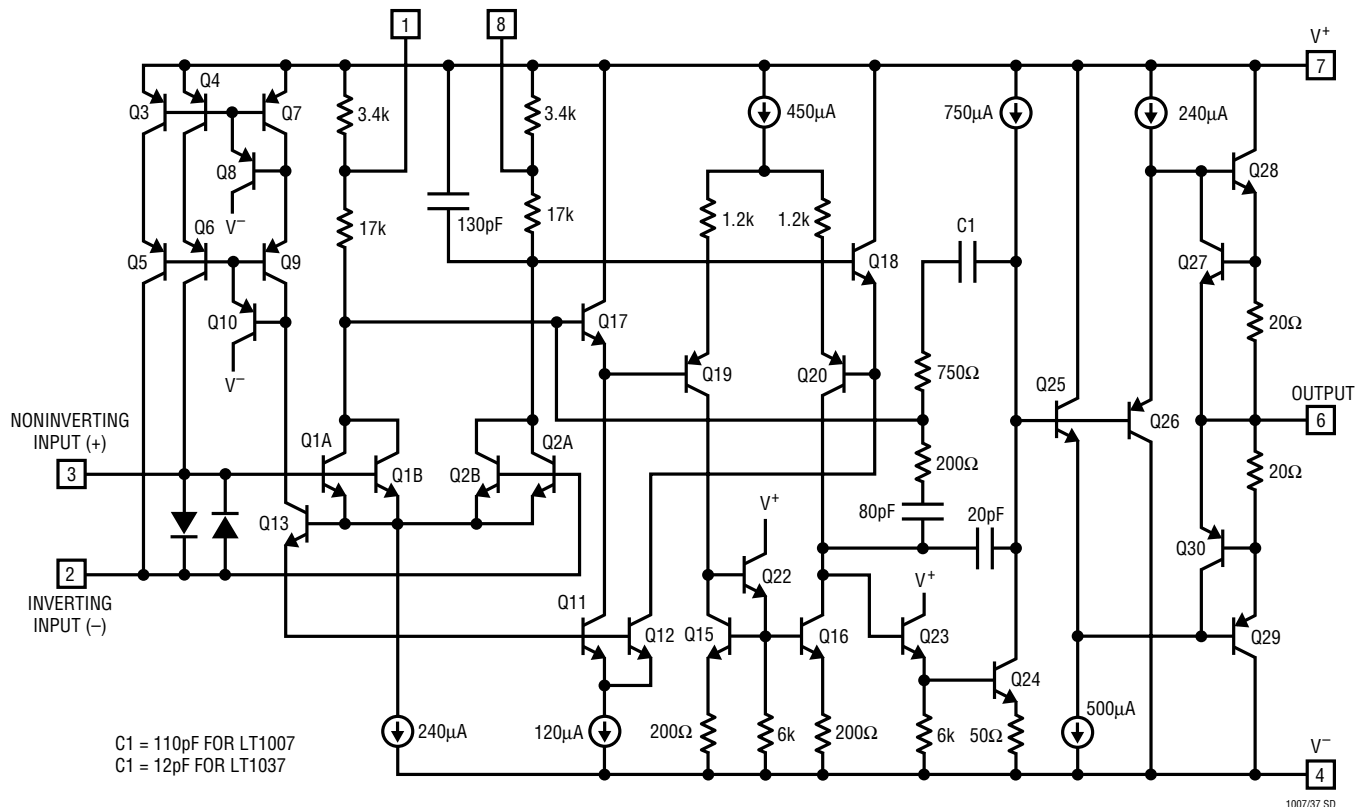
Phono Preamplifier



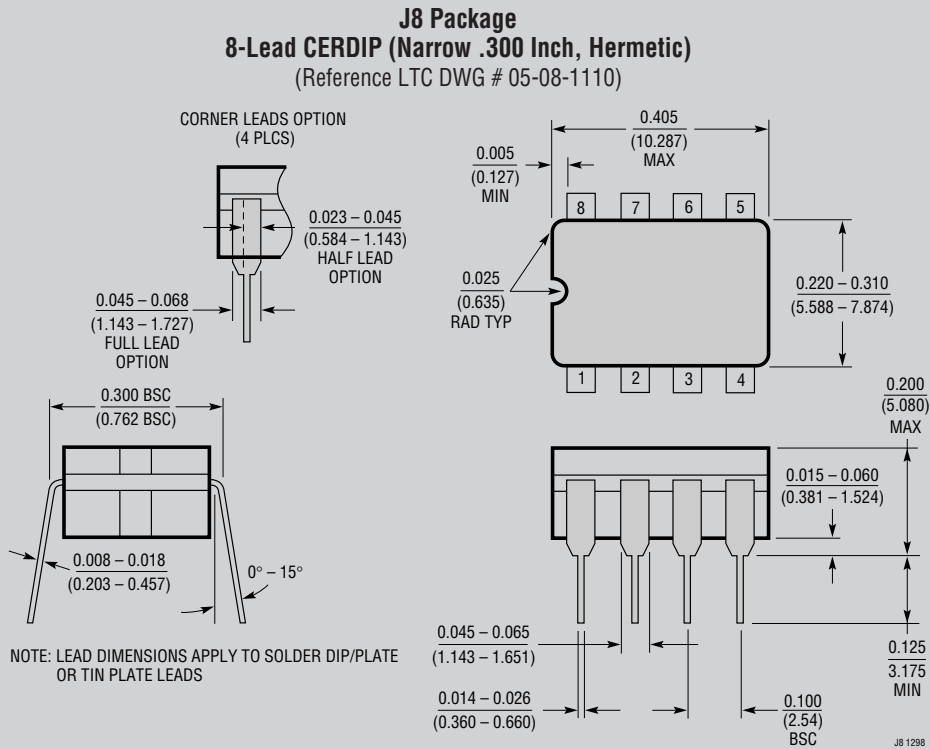
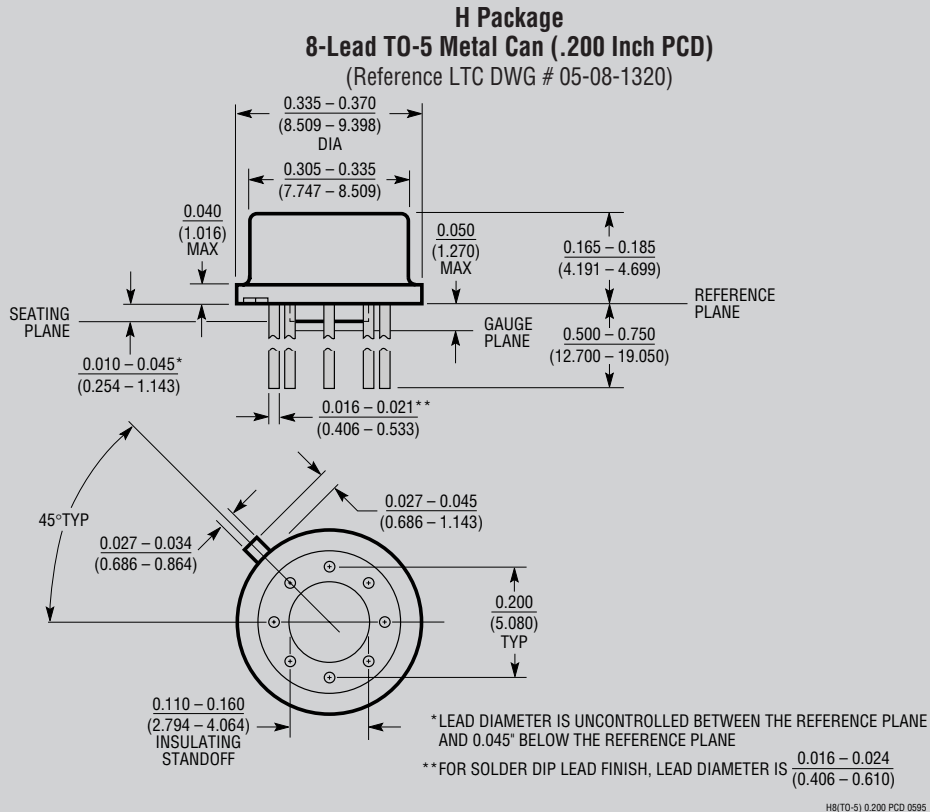
Tape Head Amplifier



SIMPLIFIED SCHEMATIC



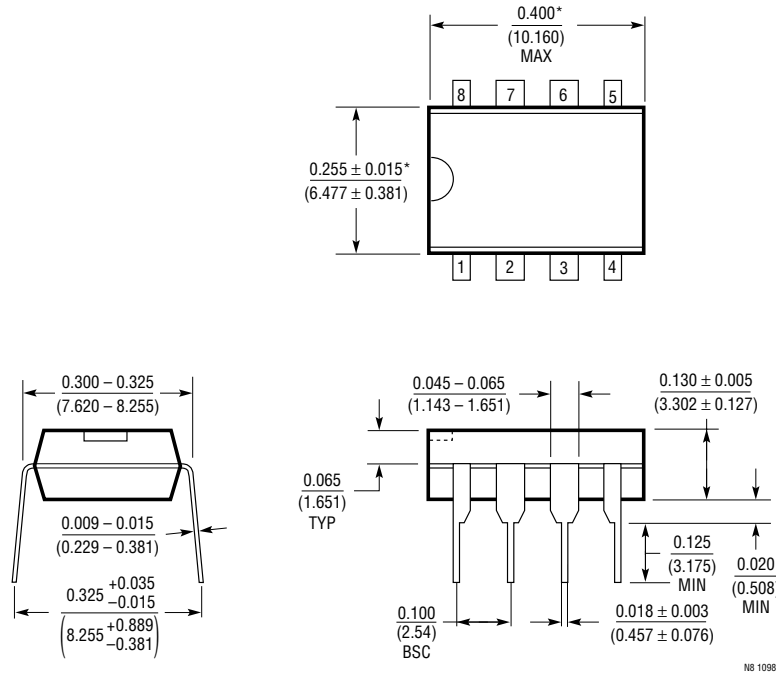
PACKAGE DESCRIPTION



OBSOLETE PACKAGES

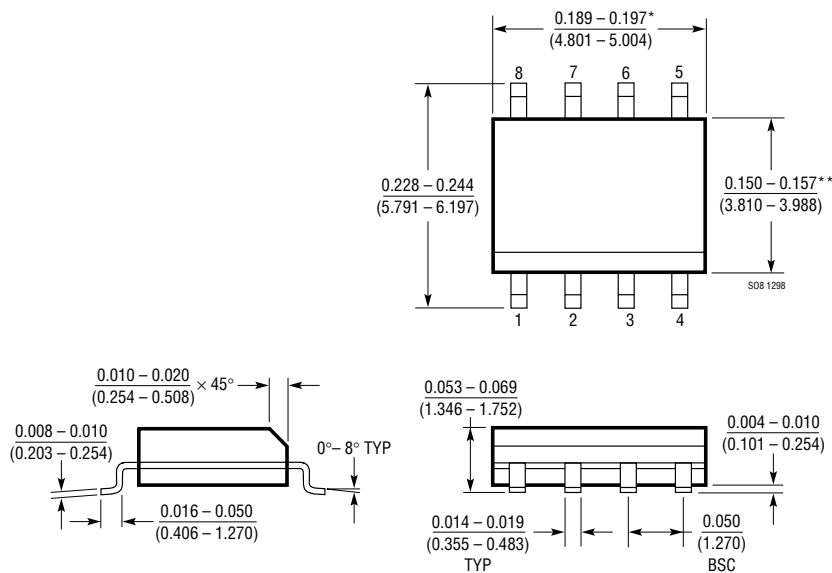
PACKAGE DESCRIPTION

N8 Package 8-Lead PDIP (Narrow .300 Inch) (Reference LTC DWG # 05-08-1510)



*THESE DIMENSIONS DO NOT INCLUDE MOLD FLASH OR PROTRUSIONS.
MOLD FLASH OR PROTRUSIONS SHALL NOT EXCEED 0.010 INCH (0.254mm)

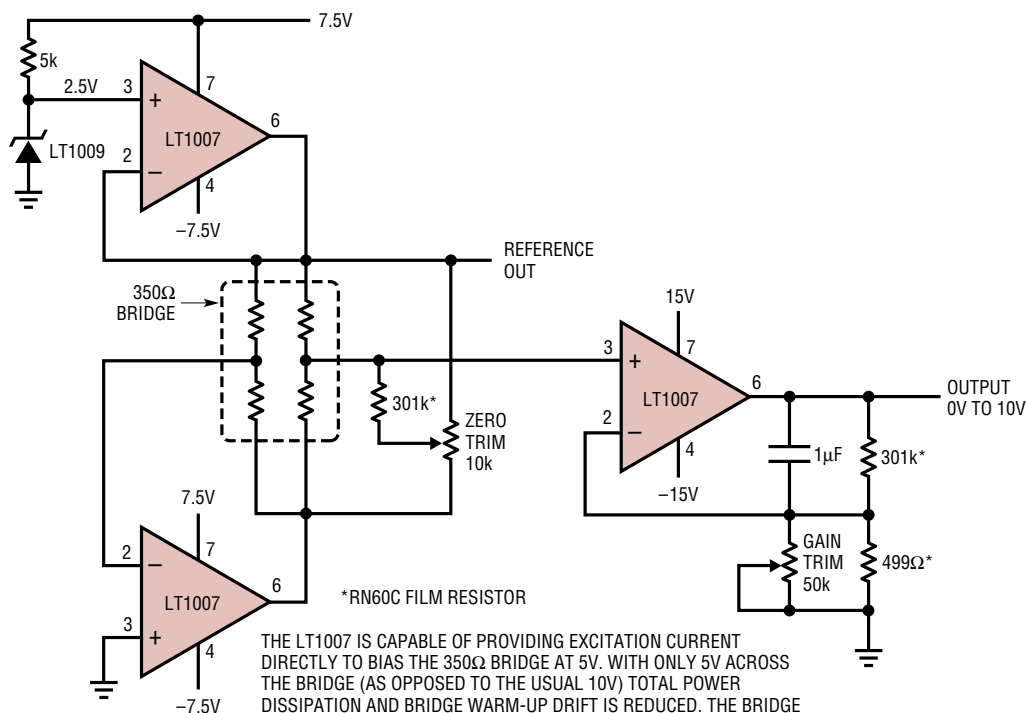
S8 Package 8-Lead Plastic Small Outline (Narrow .150 Inch) (Reference LTC DWG # 05-08-1610)



*DIMENSION DOES NOT INCLUDE MOLD FLASH. MOLD FLASH SHALL NOT EXCEED 0.006" (0.152mm) PER SIDE
**DIMENSION DOES NOT INCLUDE INTERLEAD FLASH. INTERLEAD FLASH SHALL NOT EXCEED 0.010" (0.254mm) PER SIDE

TYPICAL APPLICATION

Strain Gauge Signal Conditioner with Bridge Excitation



THE LT1007 IS CAPABLE OF PROVIDING EXCITATION CURRENT DIRECTLY TO BIAS THE 350Ω BRIDGE AT 5V. WITH ONLY 5V ACROSS THE BRIDGE (AS OPPOSED TO THE USUAL 10V) TOTAL POWER DISSIPATION AND BRIDGE WARM-UP DRIFT IS REDUCED. THE BRIDGE OUTPUT SIGNAL IS HALVED, BUT THE LT1007 CAN AMPLIFY THE REDUCED SIGNAL ACCURATELY.

1007/37 TA09

RELATED PARTS

| PART NUMBER | DESCRIPTION | COMMENTS |
|---------------|---|---------------------------------|
| LT1028 | Ultralow Noise Precision Op Amp | Lowest Noise 0.85nV/√Hz |
| LT1115 | Ultralow Noise, Low distortion Audio Op Amp | 0.002% THD, Max Noise 1.2mV/√Hz |
| LT1124/LT1125 | Dual/Quad Low Noise, High Speed Precision Op Amps | Similar to LT1007 |
| LT1126/LT1127 | Dual/Quad Decompensated Low Noise, High Speed Precision Op Amps | Similar to LT1037 |
| LT1498/LT1499 | 10MHz, 5V/μs, Dual/Quad Rail-to-Rail Input and Output Precision C-Load™ Op Amps | |

C-Load is a trademark of Linear Technology Corporation.

Mouser Electronics

Authorized Distributor

Click to View Pricing, Inventory, Delivery & Lifecycle Information:

[Analog Devices Inc.:](#)

[LT1037ACN8#PBF](#) [LT1037IN8#PBF](#) [LT1007IS8#PBF](#) [LT1007CN8#PBF](#) [LT1037IS8#TRPBF](#) [LT1007IS8#TRPBF](#)
[LT1007CS8#TRPBF](#) [LT1037CS8#TRPBF](#) [LT1037CN8#PBF](#) [LT1007ACN8#PBF](#) [LT1007CS8#PBF](#) [LT1007IN8#PBF](#)
[LT1037CS8#PBF](#) [LT1037IS8#PBF](#)