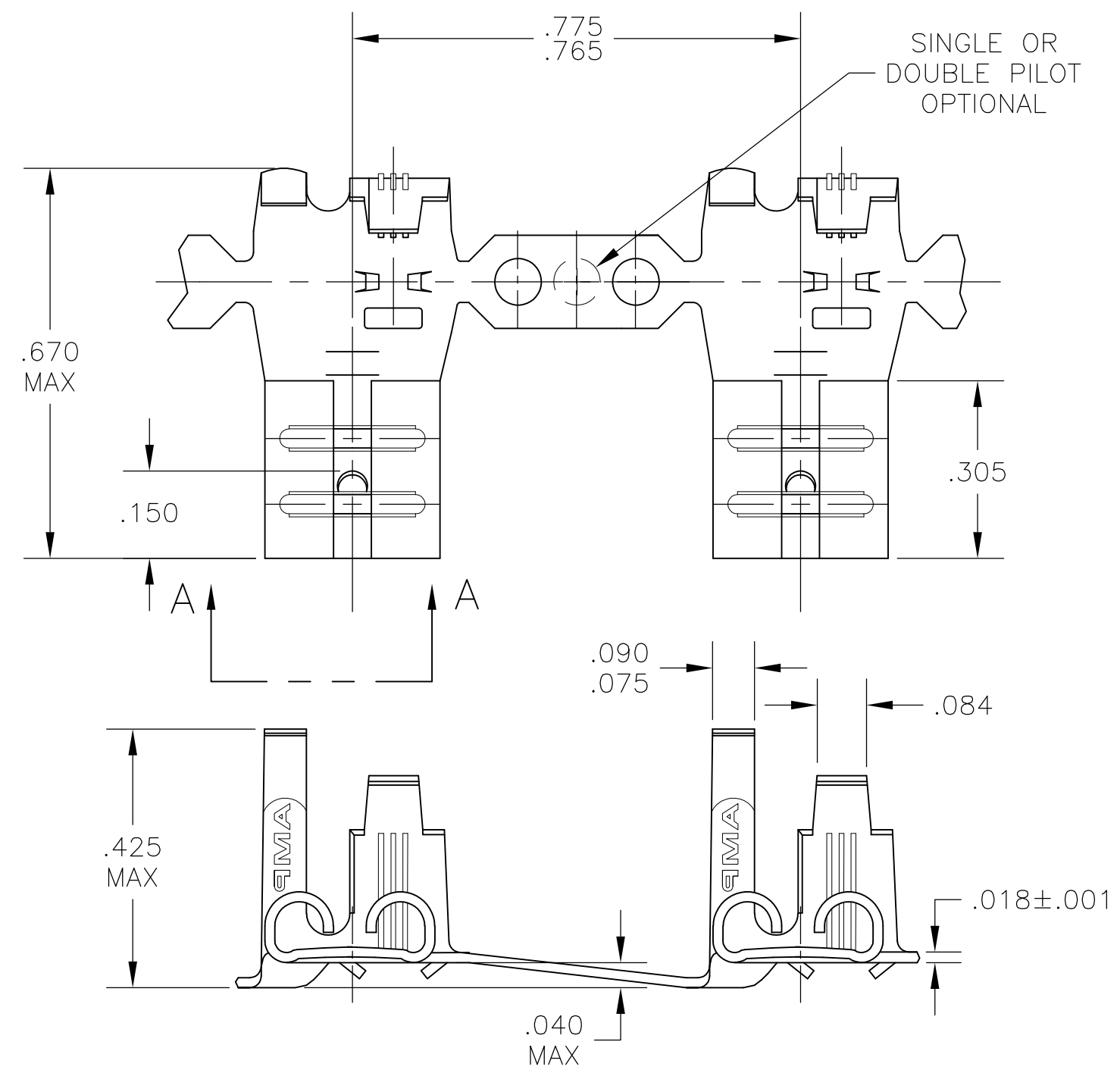
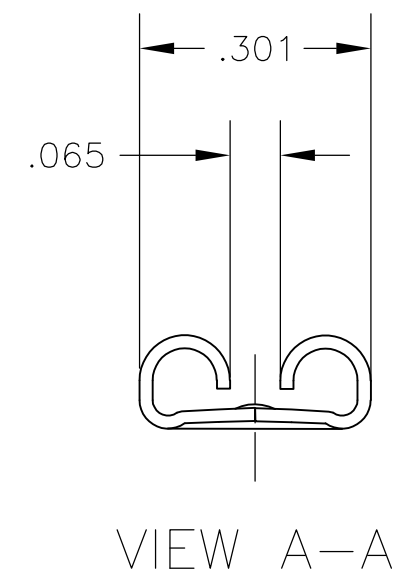


THIS DRAWING IS UNPUBLISHED. RELEASED FOR PUBLICATION  
 © COPYRIGHT - By - ALL RIGHTS RESERVED.

LOC	DIST	REVISIONS			
P	LTR	DESCRIPTION	DATE	DWN	APVD
AF	50	AA	REVISED PER ECR-12-013445	18OCT12	KH PD



- 1 CONTINUOUS STRIP ON REELS
- 2 MATING TAB THK IS .032±.001.
- 3 WIRE SIZE IS #18-#12 AWG
- 4 INSULATION RANGE IS .110-.210 DIA.



NICKEL	#2H STEEL	41531-1
-	BRASS	41531
FINISH	MATERIAL	PART NO.

THIS DRAWING IS A CONTROLLED DOCUMENT.		DWN	JR RUTH	18OCT02	<b>STE</b> TE Connectivity												
DIMENSIONS: INCHES		CHK	P DESANTIS	18OCT02													
TOLERANCES UNLESS OTHERWISE SPECIFIED:		APVD	P DESANTIS	18OCT02													
<table border="1"> <tr><td>0 PLC</td><td>± -</td></tr> <tr><td>1 PLC</td><td>± -</td></tr> <tr><td>2 PLC</td><td>± -</td></tr> <tr><td>3 PLC</td><td>± .015</td></tr> <tr><td>4 PLC</td><td>± -</td></tr> <tr><td>ANGLES</td><td>± -</td></tr> </table>		0 PLC	± -	1 PLC		± -	2 PLC	± -	3 PLC	± .015	4 PLC	± -	ANGLES	± -	PRODUCT SPEC	NAME	
0 PLC	± -																
1 PLC	± -																
2 PLC	± -																
3 PLC	± .015																
4 PLC	± -																
ANGLES	± -																
MATERIAL	SEE TABLE	FINISH	SEE TABLE	APPLICATION SPEC	SIZE	CAGE CODE	DRAWING NO	RESTRICTED TO									
SEE TABLE		SEE TABLE		WEIGHT	A3 00779		C-41531	-									
CUSTOMER DRAWING				SCALE	4:1	SHEET	1 OF 1	REV	AA								

# Mouser Electronics

Authorized Distributor

Click to View Pricing, Inventory, Delivery & Lifecycle Information:

[TE Connectivity:](#)

[41531-1](#)