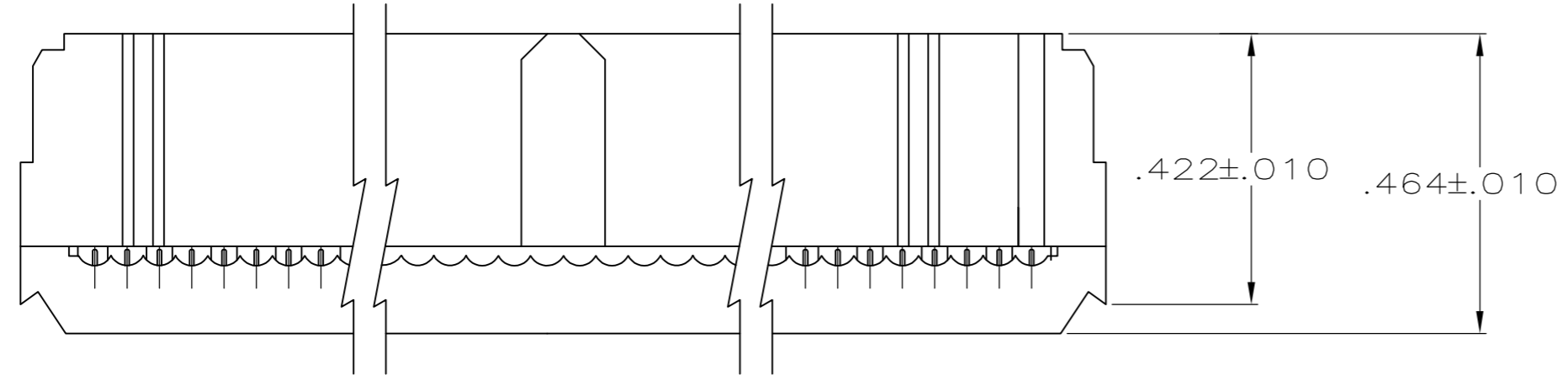


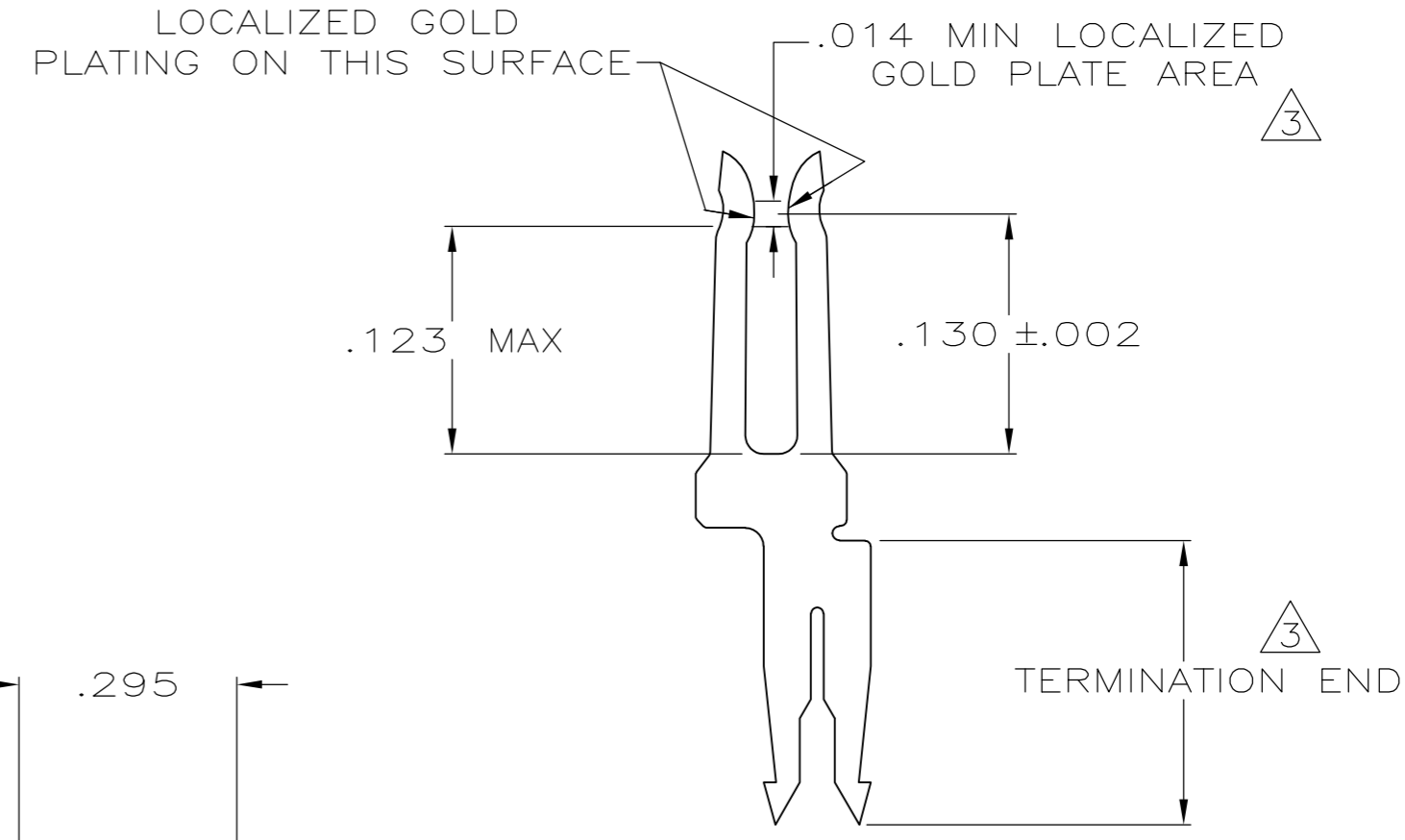
THIS DRAWING IS UNPUBLISHED. RELEASED FOR PUBLICATION
 © COPYRIGHT - By - ALL RIGHTS RESERVED.

LOC		DIST		REVISIONS			
P	LTR	DESCRIPTION		DATE	DWN	APVD	
GP	00	C1	REVISED PER ECO-11-004835		11MAR11	RK	HMR

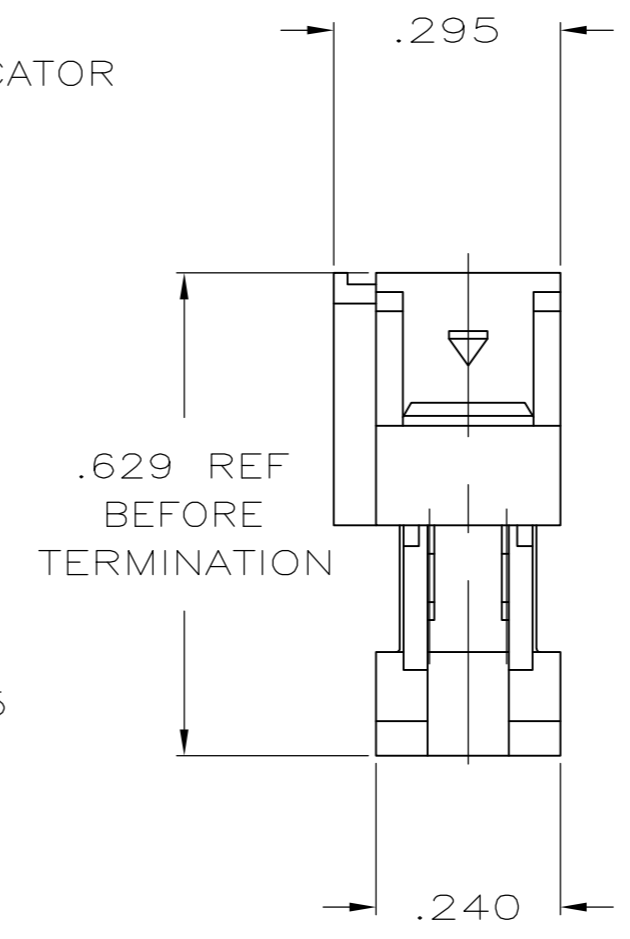
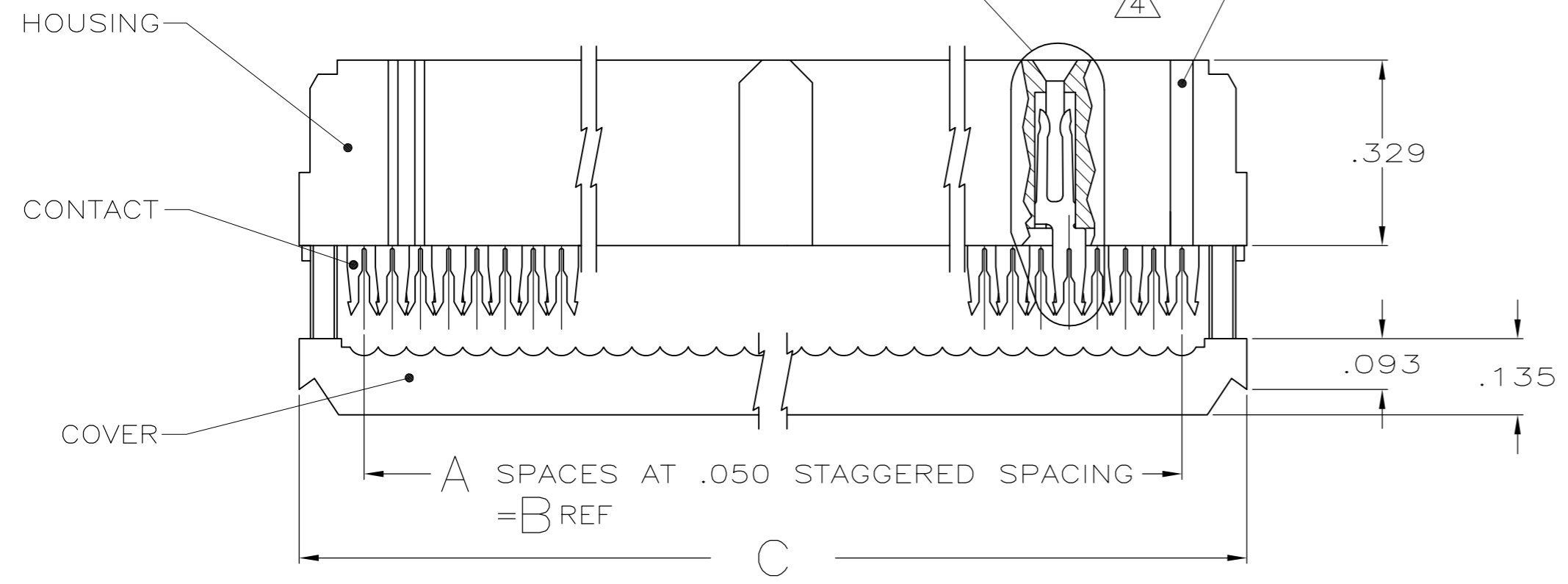
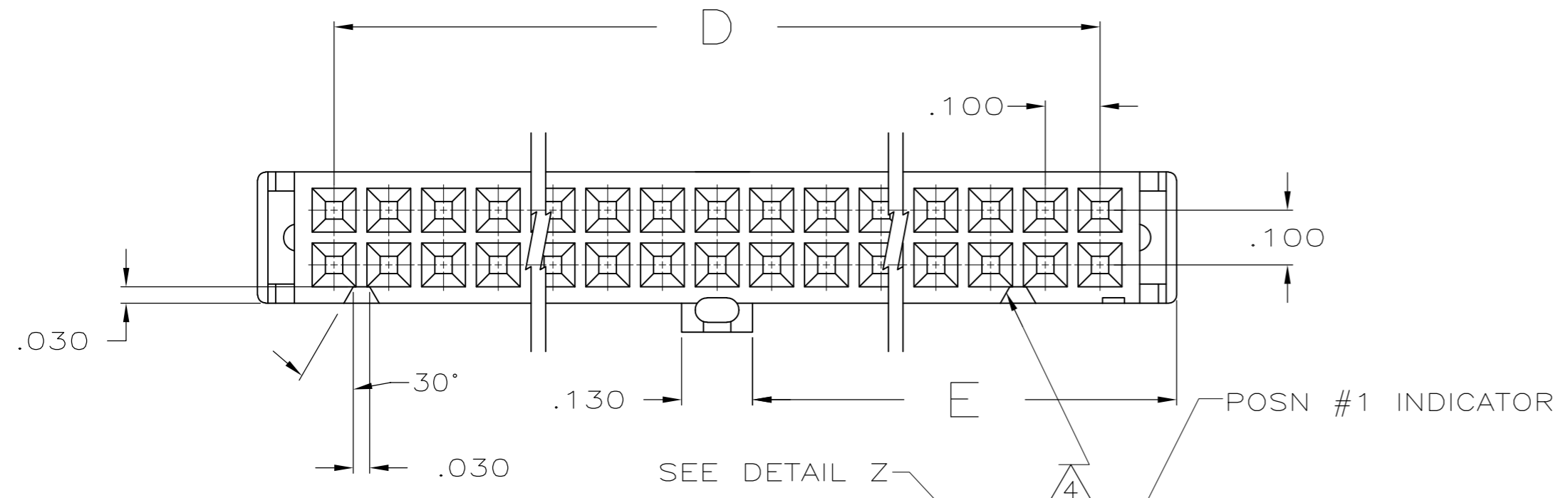
- ① MOLDED PARTS: UL RATED 94V-0 THERMOPLASTIC, BLACK.
- ② CONTACTS: PHOSPHOR BRONZE PER QQ-B-750.
- ③ CONTACTS: PLATED WITH .000015 MIN GOLD IN LOCALIZED GOLD PLATE AREA, .000050 MIN TIN ON TERMINATION END, ALL OVER .000050 MIN NICKEL ON ENTIRE CONTACT.
OR
GOLD FLASH OVER PALLADIUM-NICKEL PLATE .000015 MIN TOTAL IN LOCALIZED GOLD PLATE AREA, .000050 MIN TIN ON TERMINATION END, ALL OVER .000050 MIN NICKEL ON ENTIRE CONTACT.
- ④ POLARIZING FEATURE DOES NOT EXIST ON SAME END AS THE POSITION NUMBER 1 INDICATOR ON 10 AND 14 POSITION PRODUCT.



TERMINATED VIEW



DETAIL Z
SCALE 10:1
TYPICAL



1.125	2.100	2.380	2.150	43	44	1-1658621-3
1.625	3.100	3.380	3.150	63	64	1-1658621-2
1.525	2.900	3.180	2.950	59	60	1-1658621-1
1.275	2.400	2.680	2.450	49	50	1-1658621-0
1.025	1.900	2.180	1.950	39	40	1658621-9
.875	1.600	1.880	1.650	33	34	1658621-8
.775	1.400	1.680	1.450	29	30	1658621-7
.675	1.200	1.480	1.250	25	26	1658621-6
.625	1.100	1.380	1.150	23	24	1658621-5
.525	.900	1.180	.950	19	20	1658621-4
.425	.700	.980	.750	15	16	1658621-3
.375	.600	.880	.650	13	14	1658621-2
.275	.400	.680	.450	9	10	1658621-1
E	D	C	B	A	NO OF POSN	PART NUMBER

THIS DRAWING IS A CONTROLLED DOCUMENT.

DWN R. SAMICK 22AUG03		TE Connectivity		
CHK C. ROHDE 22AUG03		RECEPTACLE ASSY, CENTER & MILITARY POLARIZATION, LEAD FREE, AMP-LATCH™ NOVO		
APVD M. WALMSLEY 22AUG03		SIZE A2	CAGE CODE 00779	DRAWING NO C=1658621
PRODUCT SPEC 108-40000		RESTRICTED TO -	SCALE 4:1	SHEET 1 of 1
APPLICATION SPEC 114-40005	CUSTOMER DRAWING		REV C1	