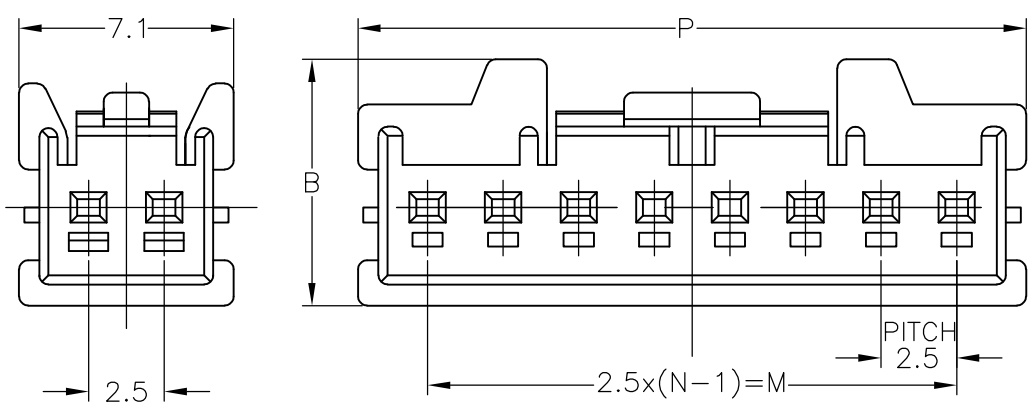
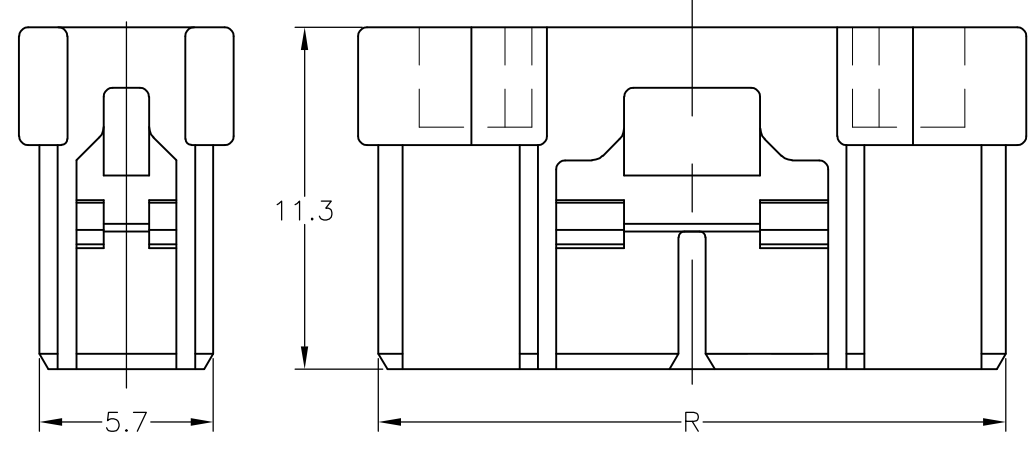
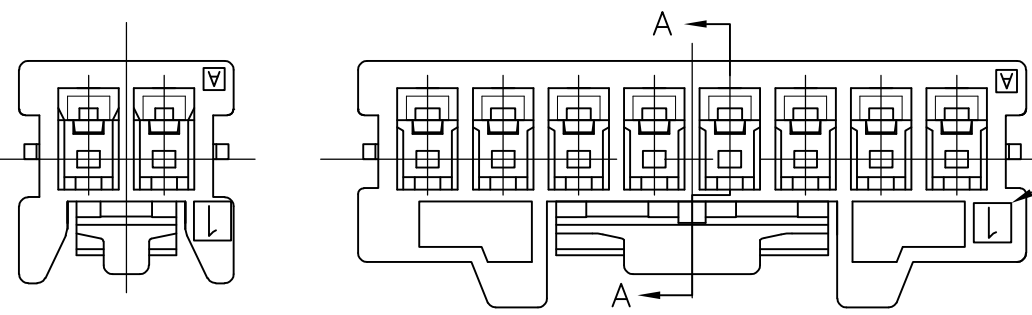
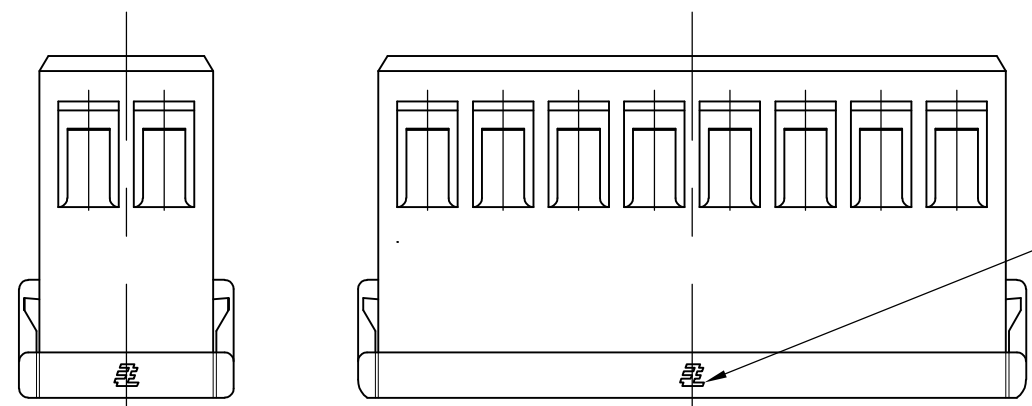


THIS DRAWING IS UNPUBLISHED. RELEASED FOR PUBLICATION
 © COPYRIGHT 2004 By - ALL RIGHTS RESERVED.

LOC	DIST	REVISIONS					
		P	LTR	DESCRIPTION	DATE	DWN	APVD
J	/	E1		REVISED PER ECO-11-005030	11MAR11	RK	HMR

-1747066-; AS SHOWN

<2極>
(2 POS)

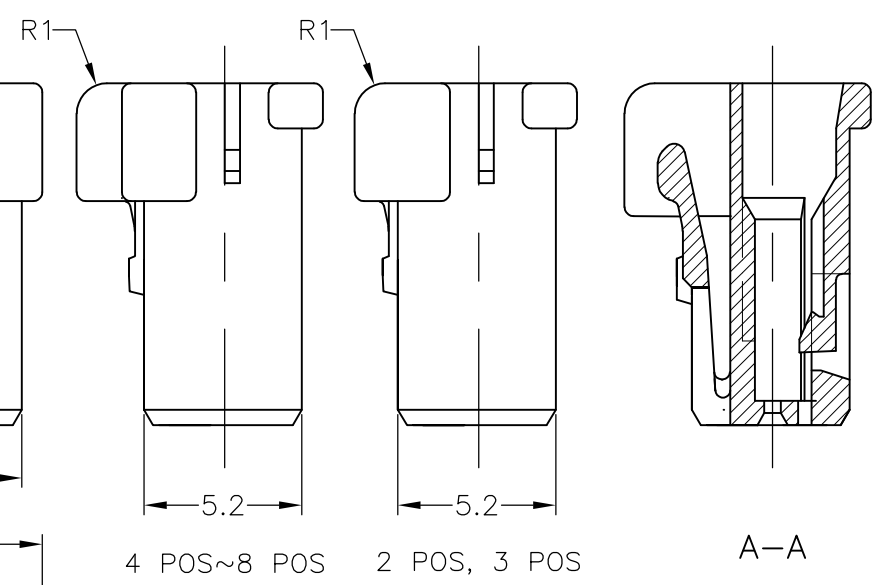


- 1 一般公差: ±0.3, ±3°
- 2 材料: 66ナイロン ガラス強化 (UL94V-0)
- 3 かん合相手製品型番: 表参照のこと。
- 4 適用端子型番: 1747062-1
1747063-1
1747591-1
1827290-1
1871859-1

- 1 GENERAL TOLERANCE: ±0.3, ±3°
- 2 MATERIAL: 66NYLON GF (UL94V-0)
- 3 MATING CONN. P/N: SEE TABLE
- 4 APPLICABLE CONTACT P/N: 1747062-1
1747063-1
1747591-1
1827290-1
1871859-1

トレードマーク
TRADE MARK

回路番号1
CIRCUIT NO.1



4 POS~8 POS 2 POS, 3 POS A-A

Part No.	Width	Height	Length	Pin Spacing	Pin Count	Color	Part No.
X-1871843-8	20.8	22.1	17.5	8.15	8	黄 (YELLOW)	3-1747066-8
X-1747067-8						青 (BLUE)	2-1747066-8
						赤 (RED)	1-1747066-8
						自然色 (NATURAL)	1747066-8
X-1747067-7	18.3	19.6	15	7.85	7	黄 (YELLOW)	3-1747066-7
						青 (BLUE)	2-1747066-7
						赤 (RED)	1-1747066-7
						自然色 (NATURAL)	1747066-7
X-1871843-6	15.8	17.1	12.5	7.7	6	黄 (YELLOW)	3-1747066-6
X-1747067-6						青 (BLUE)	2-1747066-6
						赤 (RED)	1-1747066-6
						自然色 (NATURAL)	1747066-6
X-1871843-5	13.3	14.6	10	7.65	5	黄 (YELLOW)	3-1747066-5
X-1747067-5						青 (BLUE)	2-1747066-5
						赤 (RED)	1-1747066-5
						自然色 (NATURAL)	1747066-5
X-1871843-4	10.8	12.1	7.5	7.45	4	黄 (YELLOW)	3-1747066-4
X-1747067-4						青 (BLUE)	2-1747066-4
						赤 (RED)	1-1747066-4
						自然色 (NATURAL)	1747066-4
X-1871843-3	8.3	9.6	5	7.35	3	黄 (YELLOW)	3-1747066-3
X-1747067-3						青 (BLUE)	2-1747066-3
						赤 (RED)	1-1747066-3
						自然色 (NATURAL)	1747066-3
X-1871843-2	5.9	7.1	2.5	7.35	2	黒 (BLACK)	4-1747066-2
X-1747067-2						黄 (YELLOW)	3-1747066-2
						青 (BLUE)	2-1747066-2
						赤 (RED)	1-1747066-2
						自然色 (NATURAL)	1747066-2
かん合相手側型番 (MATING CONN P/N)	R	P	M	B	N極数 (Pos.)	色調 (COLOR)	型番 (P/N)

THIS DRAWING IS A CONTROLLED DOCUMENT.

DIMENSIONS: 単位: 概 mm

TOLERANCES UNLESS OTHERWISE SPECIFIED: 一般公差

0 PLC	±-
1 PLC	±-
2 PLC	±-
3 PLC	±-
4 PLC	±-
ANGLES	±-

MATERIAL 材料: SEE NOTE

FINISH 仕上

DWN T.HATANO 09JUN2004

CHK A.OISHI 09JUN2004

APVD N.YAMASAKI 09JUN2004

PRODUCT SPEC 108-5992
製品規格 108-78307

APPLICATION SPEC 取付適用規格 114-5359

WEIGHT

CUSTOMER DRAWING

SCALE 尺度 4:1

SHEET 1 OF 1

REV E1

RESTRICTED TO

STE TE Connectivity

NAME 名称: GRACE INERTIA CONNECTOR 2.5 PLUG HSG

SIZE A3

CAGE CODE 00779

DRAWING NO 番号: C-1747066

Mouser Electronics

Authorized Distributor

Click to View Pricing, Inventory, Delivery & Lifecycle Information:

[TE Connectivity:](#)

[1747066-2](#)