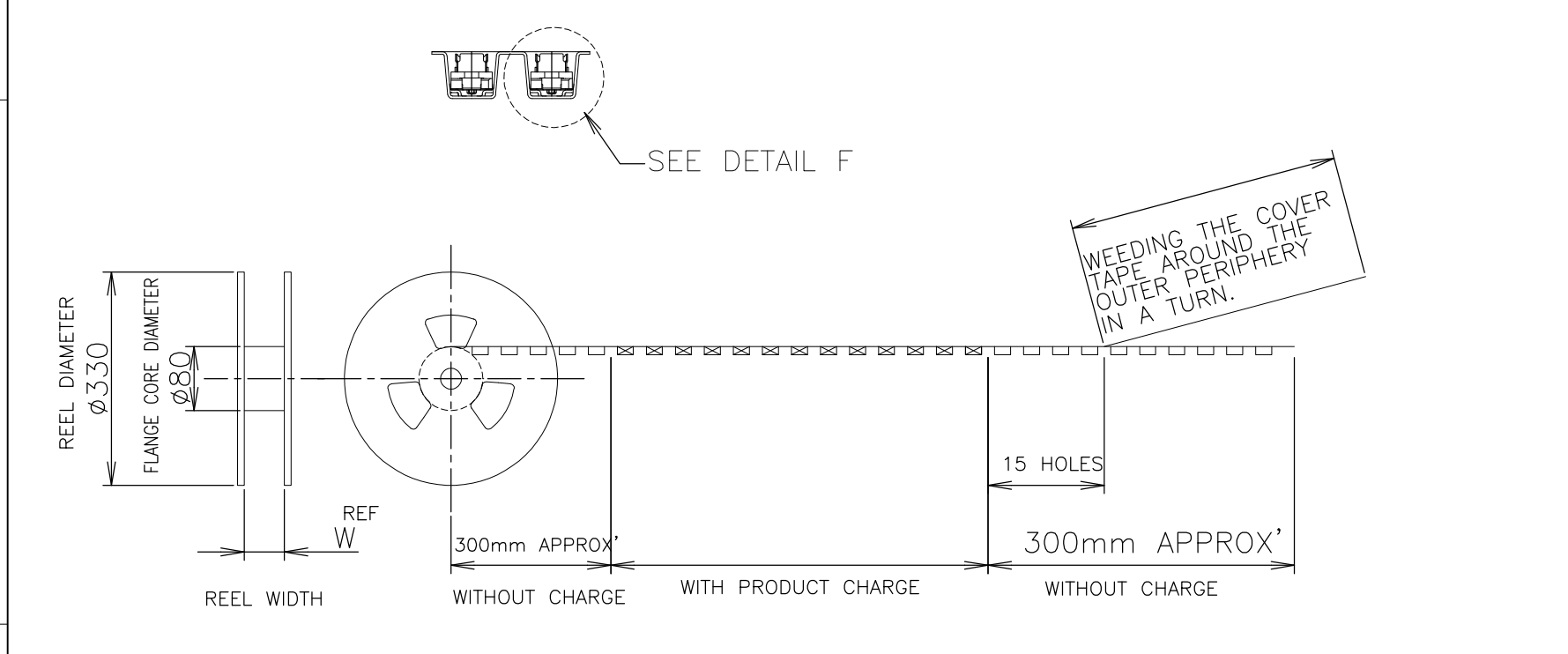
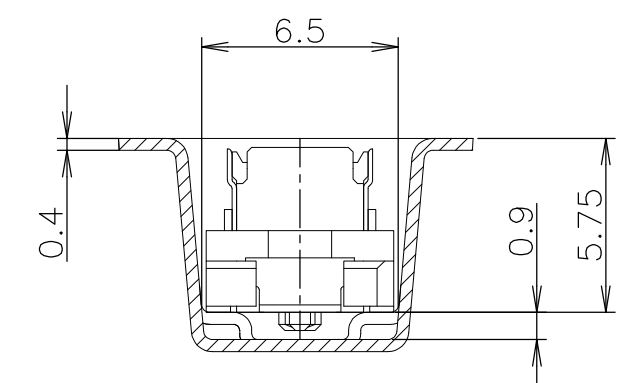
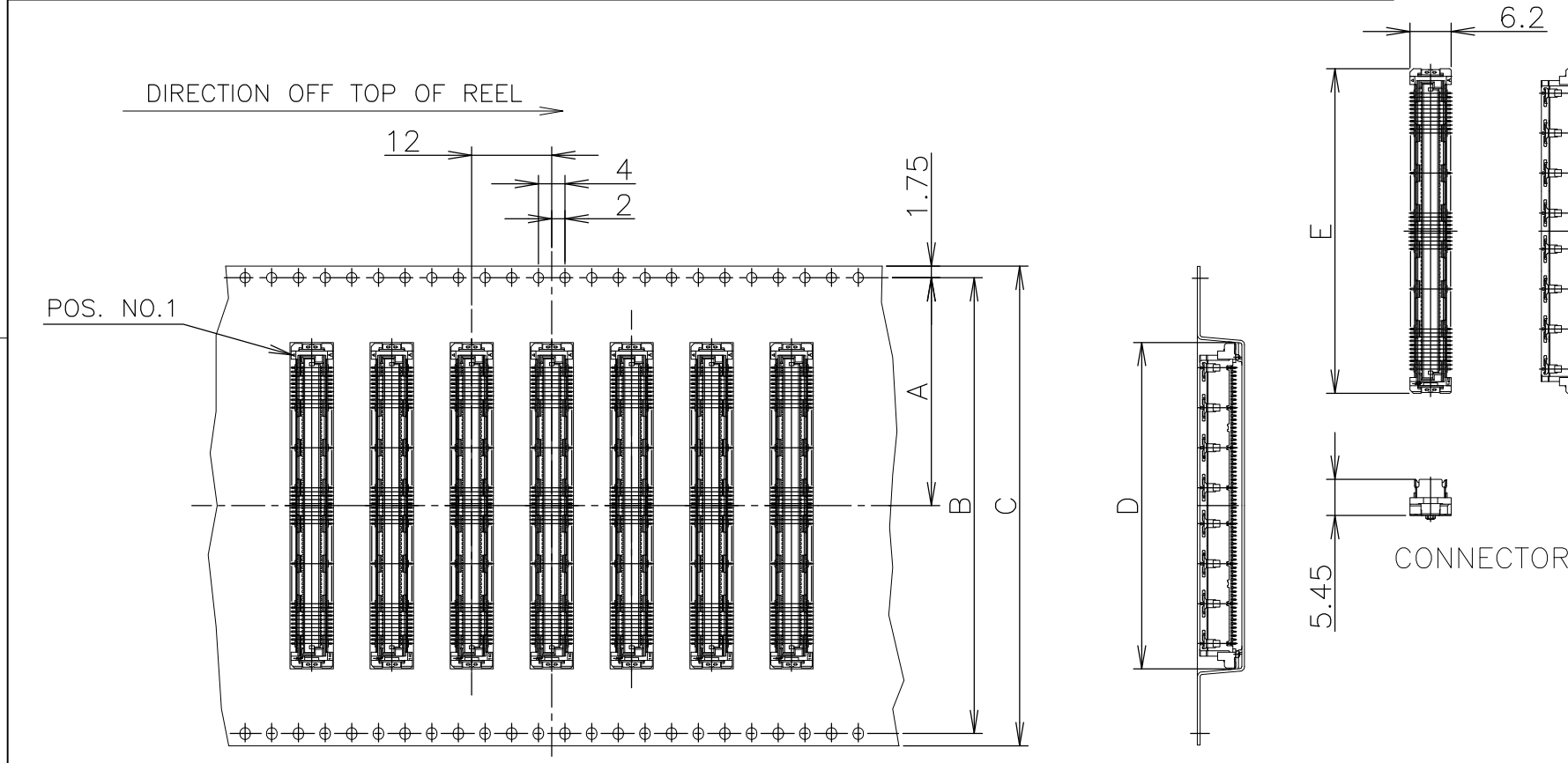


THIS DRAWING IS UNPUBLISHED. RELEASED FOR PUBLICATION JUN , 1996.  
 © COPYRIGHT 1996 By - ALL RIGHTS RESERVED.

LOC	DIST	REVISIONS 変更			
P	LTR	DESCRIPTION	DATE	DWN	APVD
		B1 REVISED ECR-15-012060	14SEP2015	I.T	W.H
		B2 REVISED PER ECO-16-014594	10OCT2016	B.J	S.Y



WEEDING THE COVER TAPE AROUND THE OUTER PERIPHERY IN A TURN.

SEALANT	TOOLING STATUS	QTY.	W	E	D	C	B	A	POS.	PART NO.
NOT AVAILABLE		800	49.5	24.7	25	44	40.4	20.2	60	7-5353186-4
NOT AVAILABLE			77.5	54.7	55	72	68.4	34.2	160	6-5353186-1
AVAILABLE			77.5	48.7	49	72	68.4	34.2	140	6- -0
NOT AVAILABLE			61.5	42.7	43	56	52.4	26.2	120	5- -9
NOT AVAILABLE			61.5	36.7	37	56	52.4	26.2	100	5- -8
NOT AVAILABLE			61.5	33.7	34	56	52.4	26.2	90	5- -7
AVAILABLE			49.5	30.7	31	44	40.4	20.2	80	5- -6
NOT AVAILABLE			49.5	27.7	28	44	40.4	20.2	70	5- -5
NOT AVAILABLE			49.5	24.7	25	44	40.4	20.2	60	5- -4
NOT AVAILABLE			37.5	21.7	22	32	28.4	14.2	50	5- -3
AVAILABLE			37.5	18.7	19	32	28.4	14.2	40	5- -2
NOT AVAILABLE		800	29.5	15.7	16	24	11.5		30	5-5353186-1
AVAILABLE		800	49.5	24.7	25	44	40.4	20.2	60	2-5353186-4
AVAILABLE			77.5	54.7	55	72	68.4	34.2	160	1-5353186-1
AVAILABLE			77.5	48.7	49	72	68.4	34.2	140	1- -0
NOT AVAILABLE			61.5	42.7	43	56	52.4	26.2	120	-9
AVAILABLE			61.5	36.7	37	56	52.4	26.2	100	-8
NOT AVAILABLE		800	61.5	33.7	34	56	52.4	26.2	90	-7
NOT AVAILABLE			49.5	27.7	28	44	40.4	20.2	70	-5
NOT AVAILABLE			49.5	24.7	25	44	40.4	20.2	60	-4
NOT AVAILABLE			37.5	21.7	22	32	28.4	14.2	50	-3
NOT AVAILABLE			37.5	18.7	19	32	28.4	14.2	40	-2
NOT AVAILABLE		800	29.5	15.7	16	24	11.5		30	5353186-1

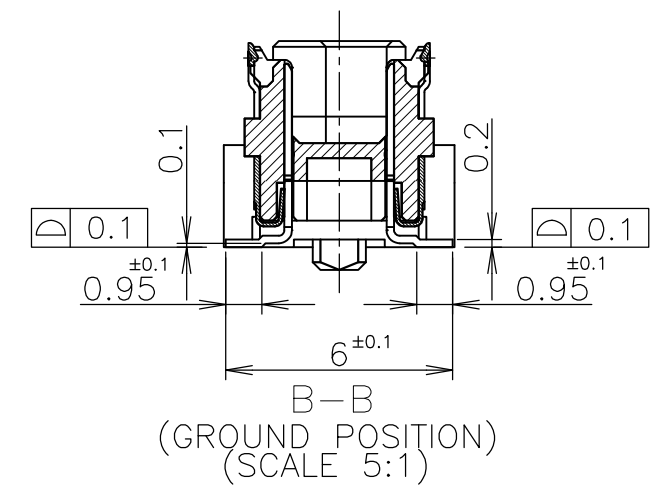
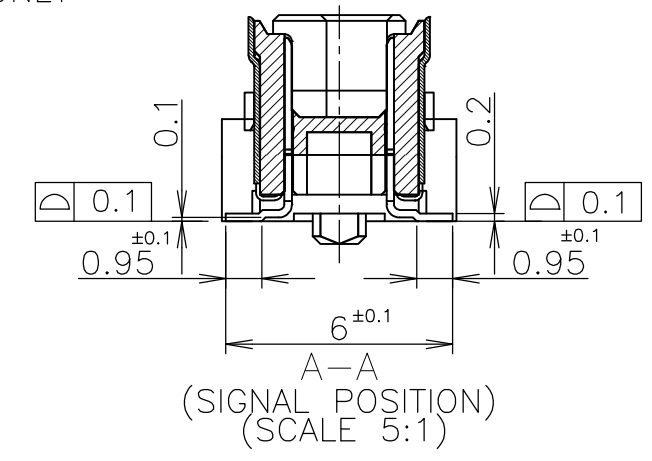
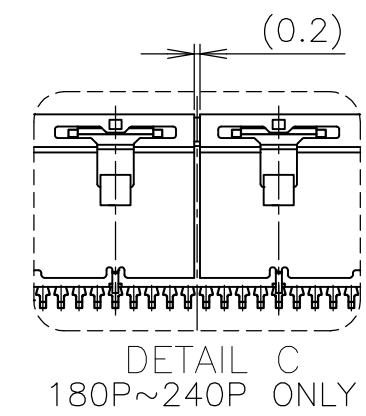
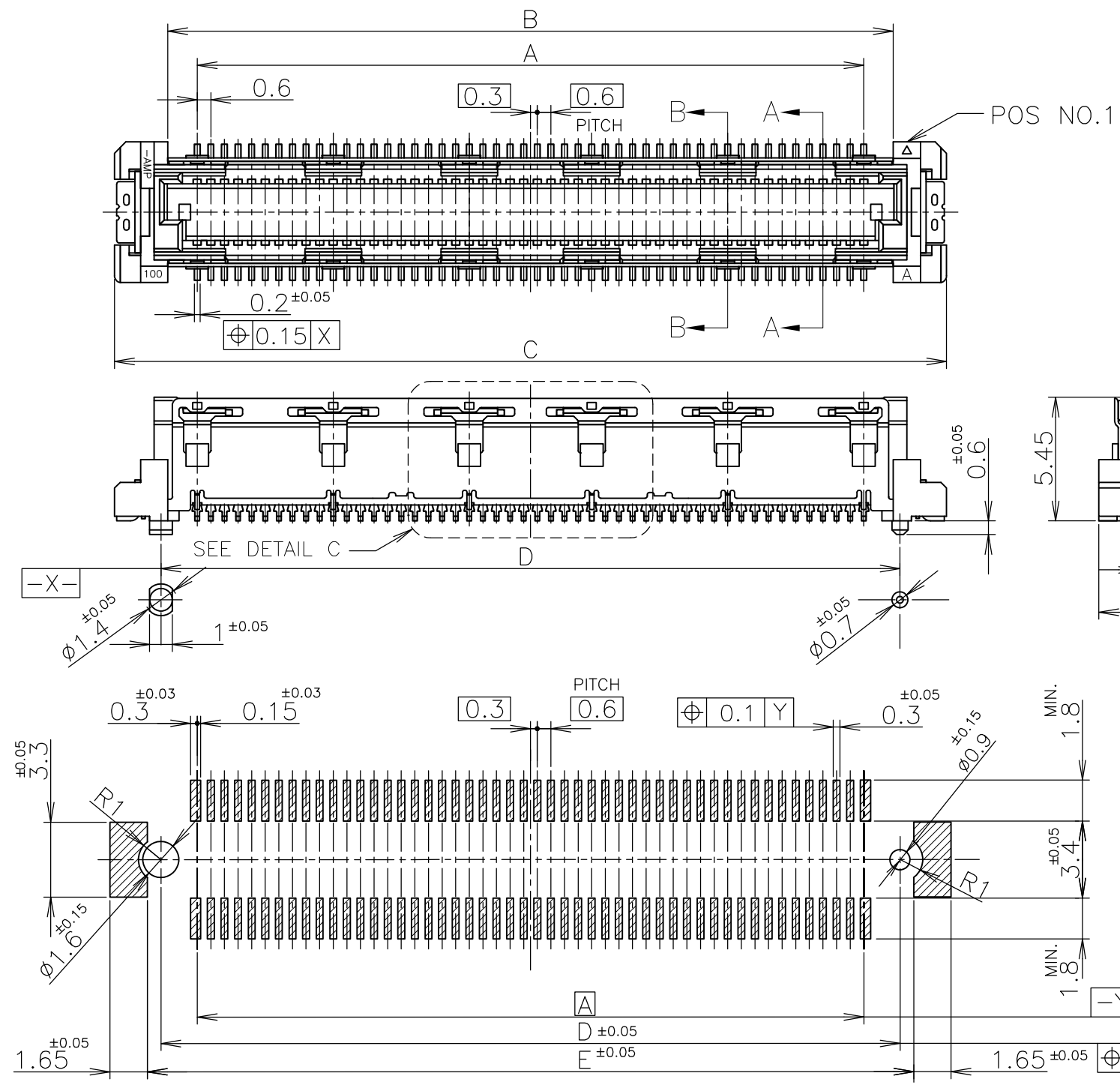
- 4 THIS PRODUCT WAS COATED BY FLUX-PENETRATION -INHIDITING AGENT.
- 5 HOUSING COLOR : NATURAL
- 6 HOUSING COLOR : BLACK

THIS DRAWING IS A CONTROLLED DOCUMENT.

DIMENSIONS: 单位: 耗 mm	TOLERANCES UNLESS OTHERWISE SPECIFIED: 一般公差	DWN HAWKING HE 20DEC04	 TE Connectivity EMBOSS ASSY FH 0.6BTB CONNECTOR PLUG 6H WITH G-PLATE
	0 PLC ± 0.2 1 PLC ± 0.2 2 PLC ± 0.2 3 PLC ± 0.2 4 PLC ANGLES ± 0.2 FINISH 仕上	CHK STEVEN YAO 20DEC04	
		APVD I.ENOMOTO 20DEC04	
		PRODUCT SPEC 製品規格 108-60047	
MATERIAL 材料	FINISH 仕上	APPLICATION SPEC 取付適用規格 114-5255	NAME 名称
		WEIGHT	SIZE A3
		CUSTOMER DRAWING	CAGE CODE 00779
			DRAWING NO 番号 G-5353186
			RESTRICTED TO
			SCALE 尺度 1:1
			SHEET 1 OF 3
			REV B2

THIS DRAWING IS UNPUBLISHED. RELEASED FOR PUBLICATION JUN , 1996.  
 © COPYRIGHT 1996 By - ALL RIGHTS RESERVED.

LOC	DIST	REVISIONS				
J		变更	DESCRIPTION	DATE	DWN	APVD
		P	LTR			
		-	SEE SHEET 1	-	-	-



AVAILABLE	21.8	20.6	24.7	20	17.4	60
AVAILABLE	51.8	50.6	54.7	50	47.4	160
AVAILABLE	45.8	44.6	48.7	44	41.4	140
NOT AVAILABLE	39.8	38.6	42.7	38	35.4	120
AVAILABLE	33.8	32.6	36.7	32	29.4	100
NOT AVAILABLE	30.8	29.6	33.7	29	26.4	90
AVAILABLE	27.8	26.6	30.7	26	23.4	80
NOT AVAILABLE	24.8	23.6	27.7	23	20.4	70
AVAILABLE	21.8	20.6	24.7	20	17.4	60
NOT AVAILABLE	19.8	17.6	21.7	17	14.4	50
AVAILABLE	15.8	14.6	18.7	14	11.4	40
NOT AVAILABLE	12.8	11.6	15.7	11	8.4	30
TOOLING STATUS	E	D	C	B	A	POS

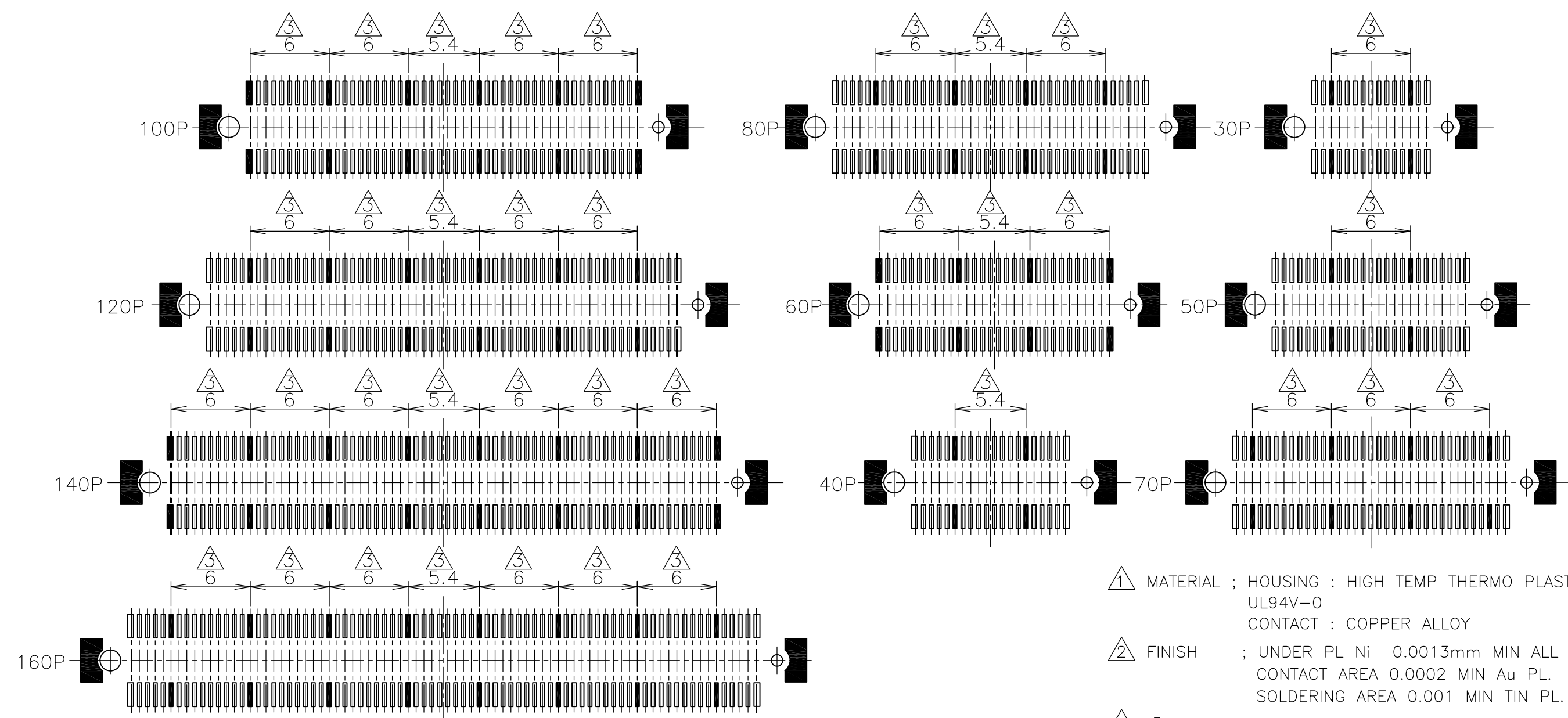
REFERENCE P.C.BOARD LAYOUT

GENERAL TOLERANCE  
 一般公差  
 10 ≥ ±0.2  
 30 ≥ >10: ±0.25  
 100 ≥ >30: ±0.3  
 ANGLES: ±3°

THIS DRAWING IS A CONTROLLED DOCUMENT.		DWN	TE Connectivity EMBOSS ASSY FH 0.6BTB CONNECTOR PLUG 6H WITH G-PLATE			
DIMENSIONS: 单位: 耗 mm		CHK				NAME 名称
TOLERANCES UNLESS OTHERWISE SPECIFIED: 一般公差		APVD				PRODUCT SPEC 製品規格
0 PLC ±- 1 PLC ±- 2 PLC ±- 3 PLC ±- 4 PLC ±- ANGLES ±-		APPLICATION SPEC 取付適用規格				SIZE
MATERIAL 材料		WEIGHT	A3	00779	G-5353186	
FINISH 仕上 		CUSTOMER DRAWING		SCALE 尺度 4:1	SHEET 2 OF 3	REV B2

THIS DRAWING IS UNPUBLISHED. RELEASED FOR PUBLICATION JUN , 1996. ALL RIGHTS RESERVED.

LOC	DIST	REVISIONS		
J		P	LTR	DESCRIPTION
				DATE
				DWN
				APVD
		SEE SHEET 1		



- ① MATERIAL ; HOUSING : HIGH TEMP THERMO PLASTIC UL94V-0  
CONTACT : COPPER ALLOY
- ② FINISH ; UNDER PL Ni 0.0013mm MIN ALL OVER.  
CONTACT AREA 0.0002 MIN Au PL.  
SOLDERING AREA 0.001 MIN TIN PL.
- ③ ■ THIS POSITION IS GROUND CIRCUIT.

GENERAL TOLERANCE  
一般公差

10 ≥ ±0.2  
30 ≥ >10: ±0.25  
100 ≥ >30: ±0.3  
ANGLES: ±3°

THIS DRAWING IS A CONTROLLED DOCUMENT.	
DIMENSIONS: 单位: 耗 mm	TOLERANCES UNLESS OTHERWISE SPECIFIED: 一般公差
	0 PLC ± -
	1 PLC ± -
	2 PLC ± -
	3 PLC ± -
MATERIAL 材料	4 PLC ± -
	ANGLES ± -
	FINISH 仕上

DWN
CHK
APVD
PRODUCT SPEC 製品規格
APPLICATION SPEC 取付適用規格
WEIGHT

<b>STE</b> TE Connectivity			
NAME 名称			
EMBOSS ASSY FH 0.6BTB CONNECTOR PLUG 6H WITH G-PLATE			
SIZE	CAGE CODE	DRAWING NO 番号	RESTRICTED TO
A3	00779	G-5353186	
CUSTOMER DRAWING		SCALE 尺度 3:1	SHEET 3 OF 3
		REV B2	

# Mouser Electronics

Authorized Distributor

Click to View Pricing, Inventory, Delivery & Lifecycle Information:

[TE Connectivity:](#)

[1-5353186-0](#)