



## BOARD LEVEL COOLING – Extruded 5000

Extruded 5000 is a series of dual radial board level heat sinks designed to cool TO-218, TO-220, and TO-247 devices. Representative image only.



## ORDERING INFORMATION

Part Number	Device Type
513001B02500G	TO-218, TO-247
513002B02500G	TO-220
513002B32500G	TO-220
513102B02500G	TO-220
513201B02500G	TO-218
513202B02500G	TO-220
513301B02500G	TO-218, TO-247

## HEAT SINK DETAILS

Property	Details
Material	Aluminum
Finish	Black Anodize
Device Attachment Options	Screw & Nut, Mounting Kit
Board Attachment Options	Solderable Pins
Thermal Interface Material	-
Heat Sink Mounting Direction	Horizontal, Vertical

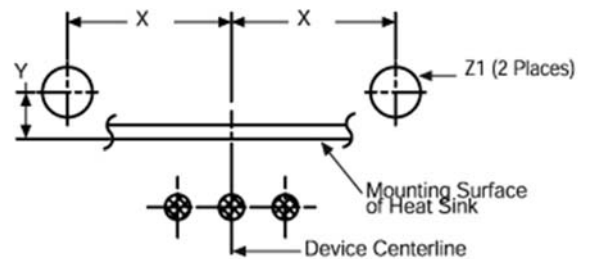
Property	Details
Heat Sink Length (mm)	12.70
Heat Sink Width (mm)	34.92
Heat Sink Height (mm)	See Dim "A" Below
X Dimension (mm)	12.70
Y Dimension (mm)	0.79
Z Dimension (mm)	2.67

## MECHANICAL & PERFORMANCE

Drawing dimensions are shown in mm, (in)

Part Number	"A" Dim	"B" Dim	"C" Dim
513001B02500G	25.40	21.59	3.66
513002B02500G	25.40	18.29	3.18
513002B32500G	25.40	-	-
513102B02500G	38.10	18.29	3.18
513201B02500G	12.70	-	-
513202B02500G	50.80	18.29	3.18
513301B02500G	63.50	21.59	3.66

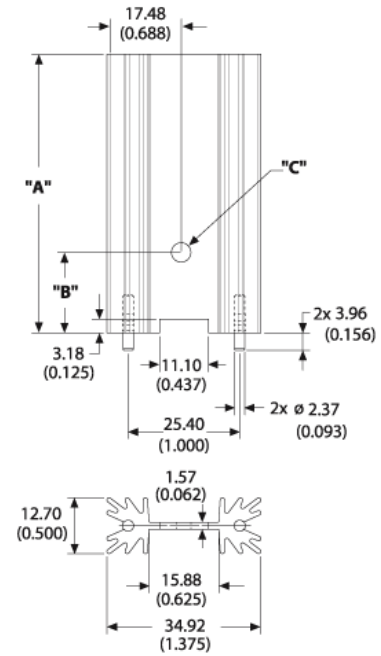
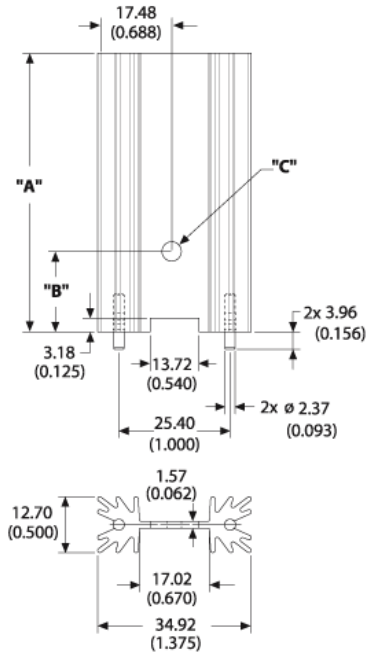
Mounting Details:



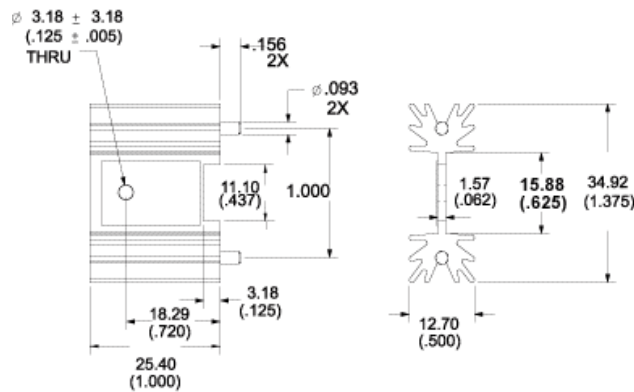
# Board Level Cooling – Extruded 5000

Part Numbers: 513001B02500G,  
513201B02500G, 513301B02500G

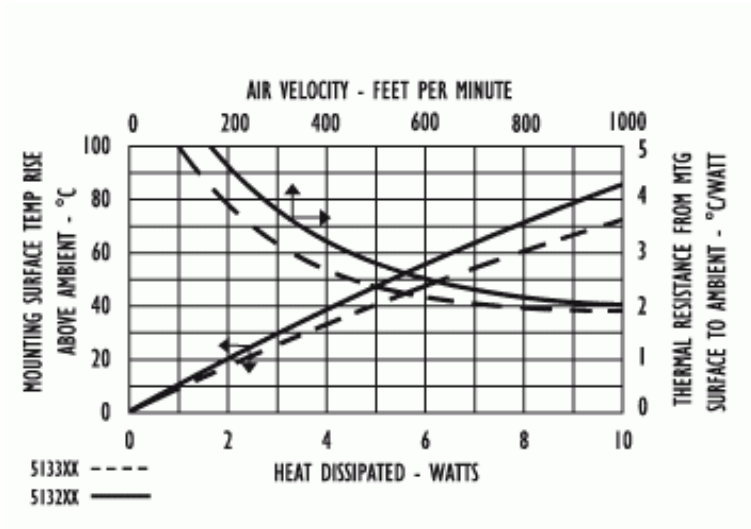
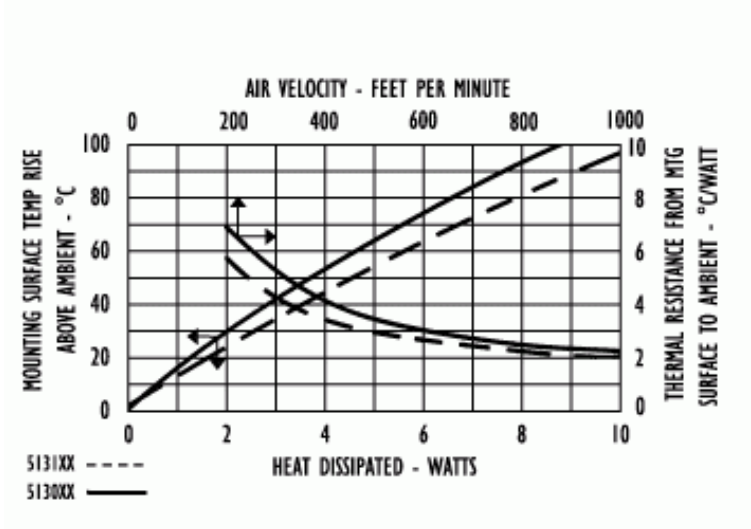
Part Numbers: 513002B02500G,  
513102B02500G, 513202B02500G



Part Number: 513002B32500G



# Board Level Cooling – Extruded 5000



# Mouser Electronics

Authorized Distributor

Click to View Pricing, Inventory, Delivery & Lifecycle Information:

[Aavid Thermalloy:](#)

[513102B02500G](#) [513201B02500G](#) [513002B02500G](#) [513001B02500G](#) [513202B02500G](#)