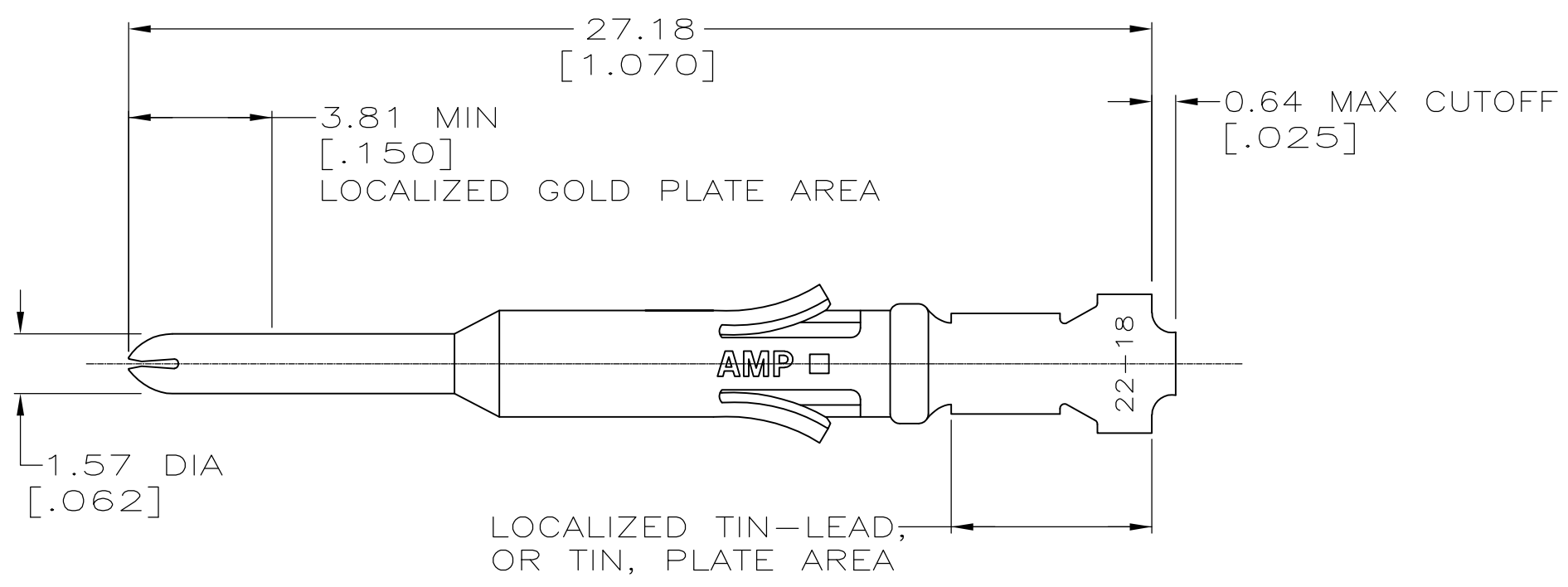


THIS DRAWING IS UNPUBLISHED. RELEASED FOR PUBLICATION  
 © COPYRIGHT - By - ALL RIGHTS RESERVED.

LOC	DIST	REVISIONS					
BD	39	P	LTR	DESCRIPTION	DATE	DWN	APVD
			F1	REVISED PER ECO-11-005027	11MAR11	RK	HMR



1. WIRE RANGE 22-18 AWG.
2. INSULATION RANGE 1.27-2.79 [.050-.110] DIA.
3. 0.76µm [.000030] MIN GOLD IN LOCALIZED GOLD PLATE AREA, 1.27µm [.000050] MIN TIN-LEAD IN LOCALIZED TIN-LEAD PLATE AREA, BOTH OVER 1.27µm [.000050] MIN NICKEL.
4. TIN PLATED.
5. GOLD PLATING PER MIL-G-45204, TIN PER MIL-T-10727 AND NICKEL PER QQ-N-290.
6. 0.76µm [.000030] MIN GOLD IN LOCALIZED GOLD PLATE AREA, 1.27µm [.000050] MIN TIN IN LOCALIZED TIN PLATE AREA, BOTH OVER 1.27µm [.000050] MIN NICKEL.

66581-7	6	66591-4
66581-4	3	66591-2
66581-2	4	66591-1
STRIP REF	FINISH	PART NO

THIS DRAWING IS A CONTROLLED DOCUMENT.		DWN D.HARDY 06/15/94	<b>STE</b> TE Connectivity	
DIMENSIONS: INCHES		CHK R.STONE 06/22/94		
TOLERANCES UNLESS OTHERWISE SPECIFIED:		APVD G.STEINHAUER 06/27/94	NAME CONTACT, PIN, LOOSE PIECE, TYPE VI, MULTIMATE	
0 PLC ± - 1 PLC ± - 2 PLC ± 0.13 [.005] 3 PLC ± - 4 PLC ± - ANGLES ± -		PRODUCT SPEC -	APPLICATION SPEC -	
MATERIAL BRS PER MIL-C-50	FINISH 5 SEE TABLE	WEIGHT -	SIZE A3	CAGE CODE 00779
CUSTOMER DRAWING			DRAWING NO C-66591	RESTRICTED TO -
SCALE 6:1			SHEET 1 OF 1	REV F1

# Mouser Electronics

Authorized Distributor

Click to View Pricing, Inventory, Delivery & Lifecycle Information:

[TE Connectivity:](#)

[66591-2](#)