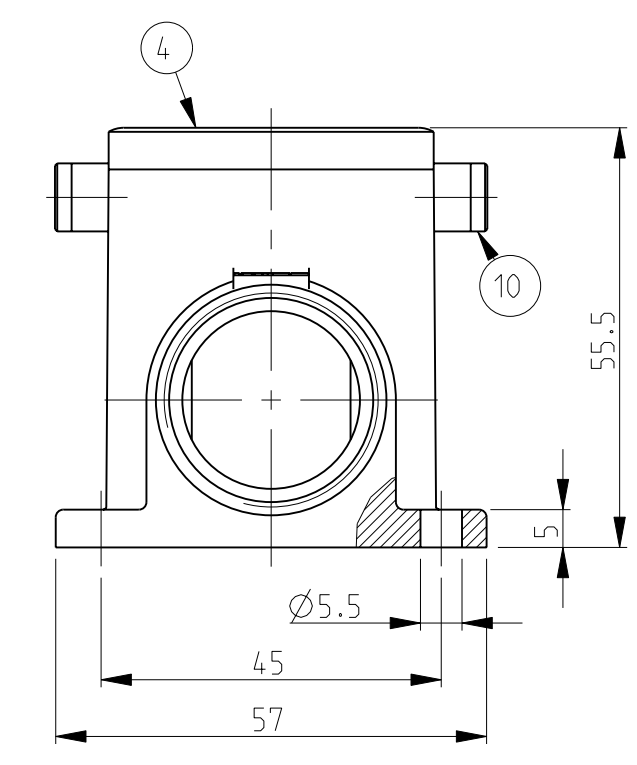
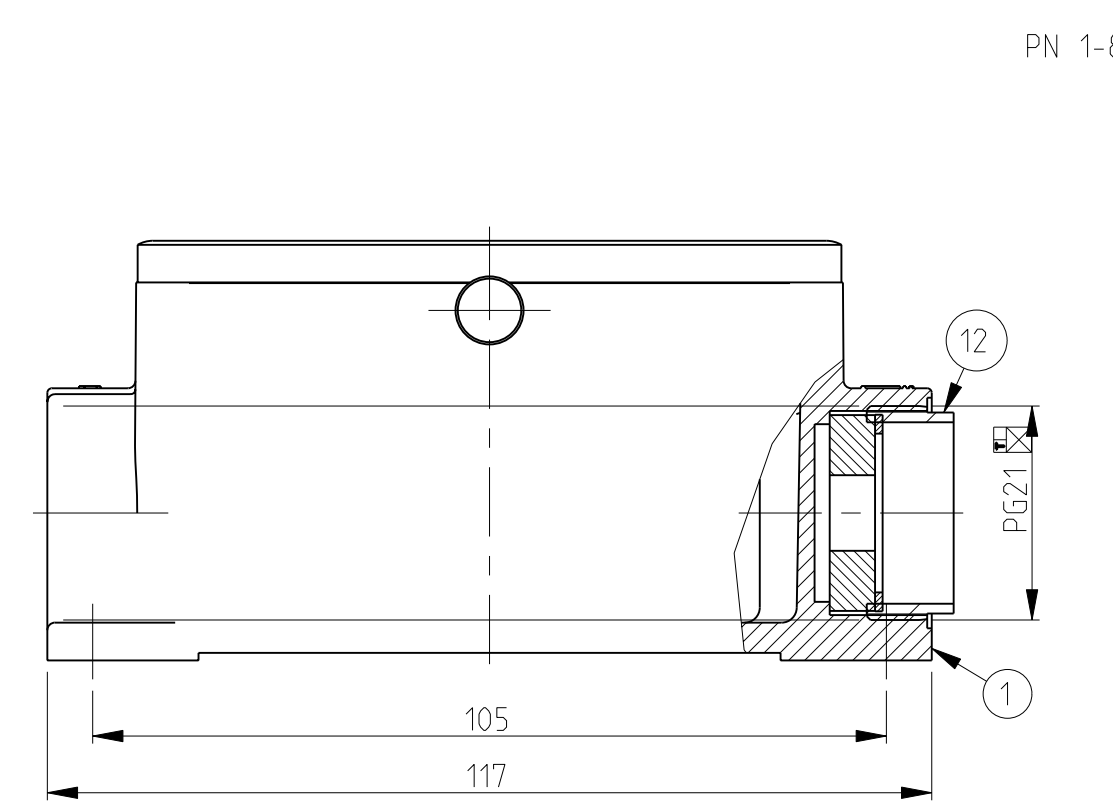
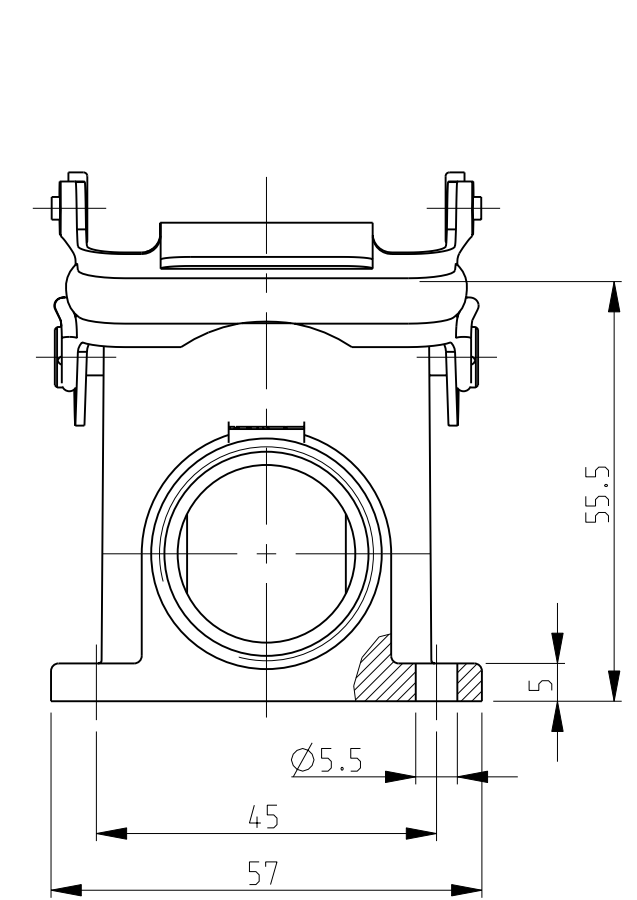
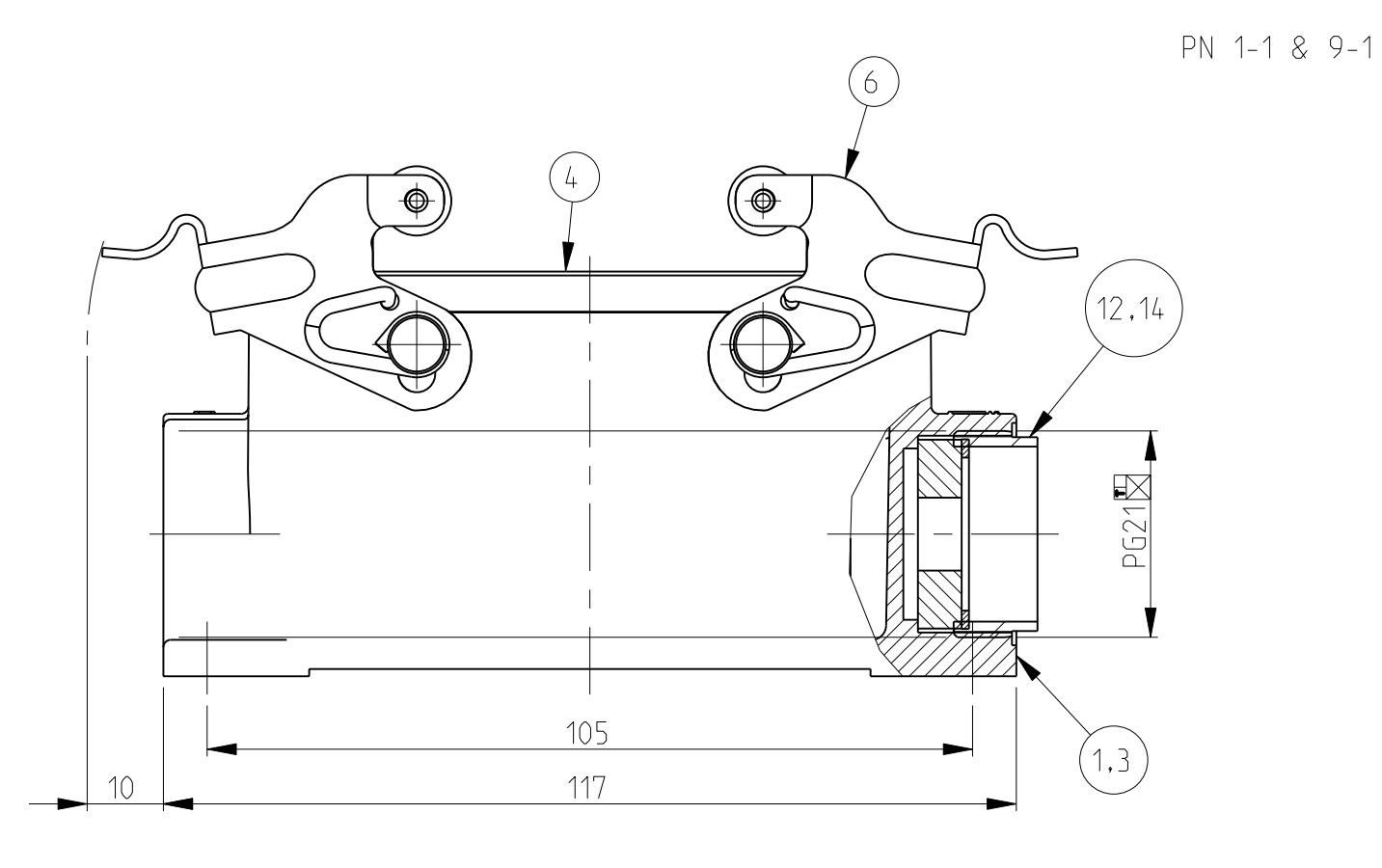
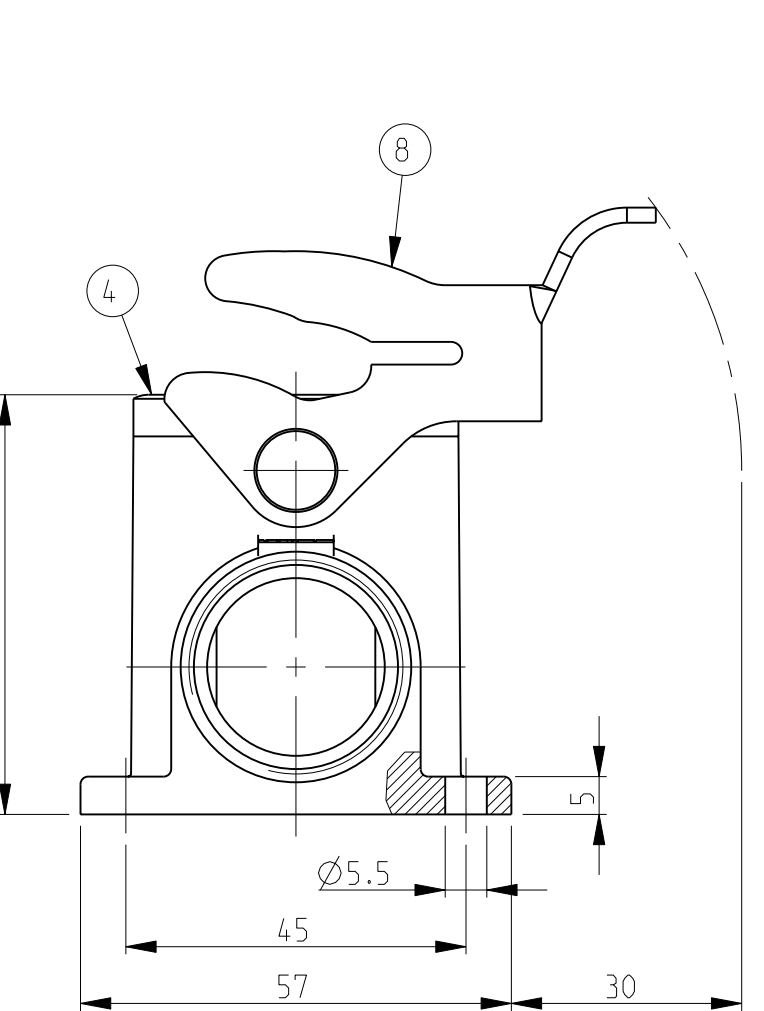
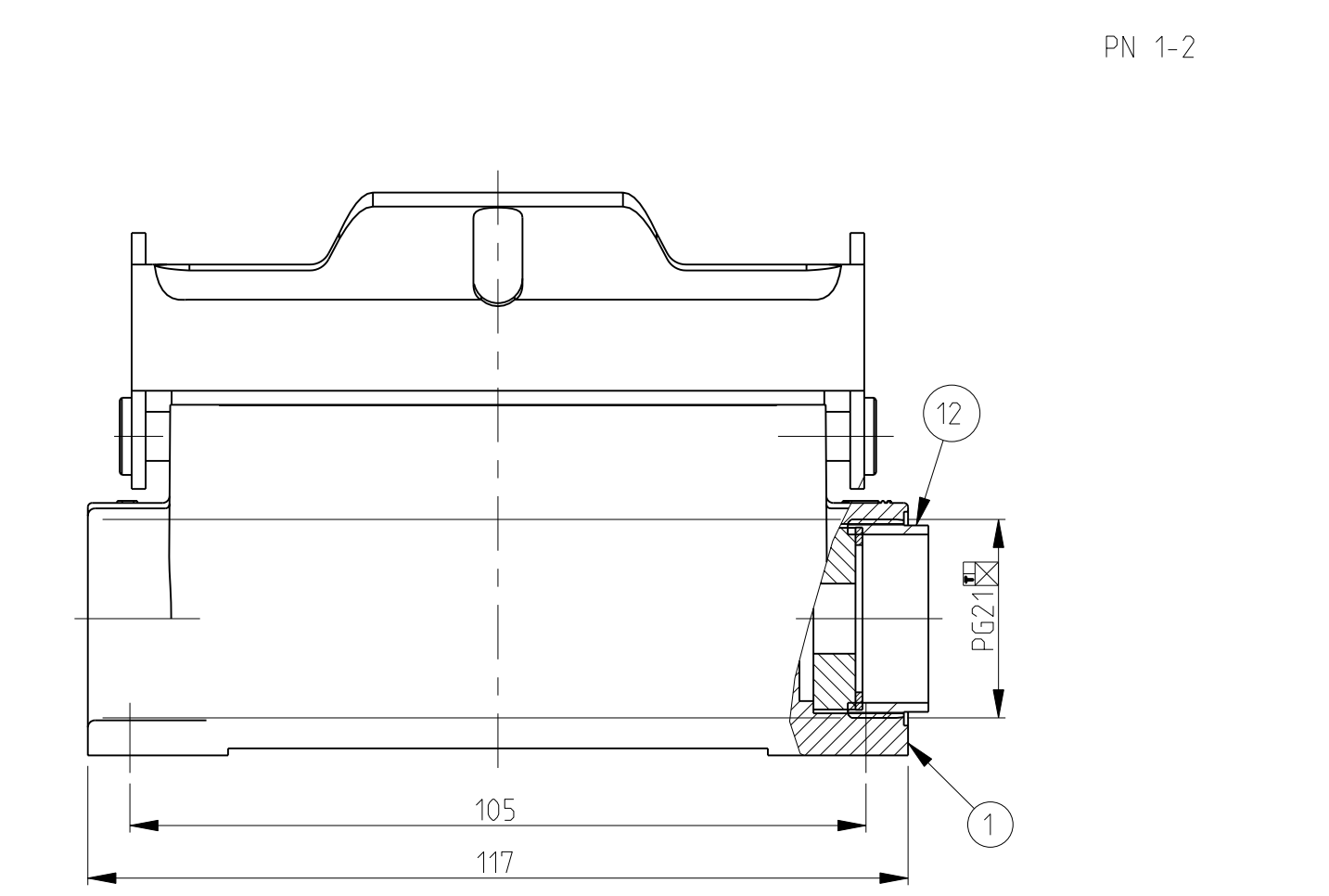
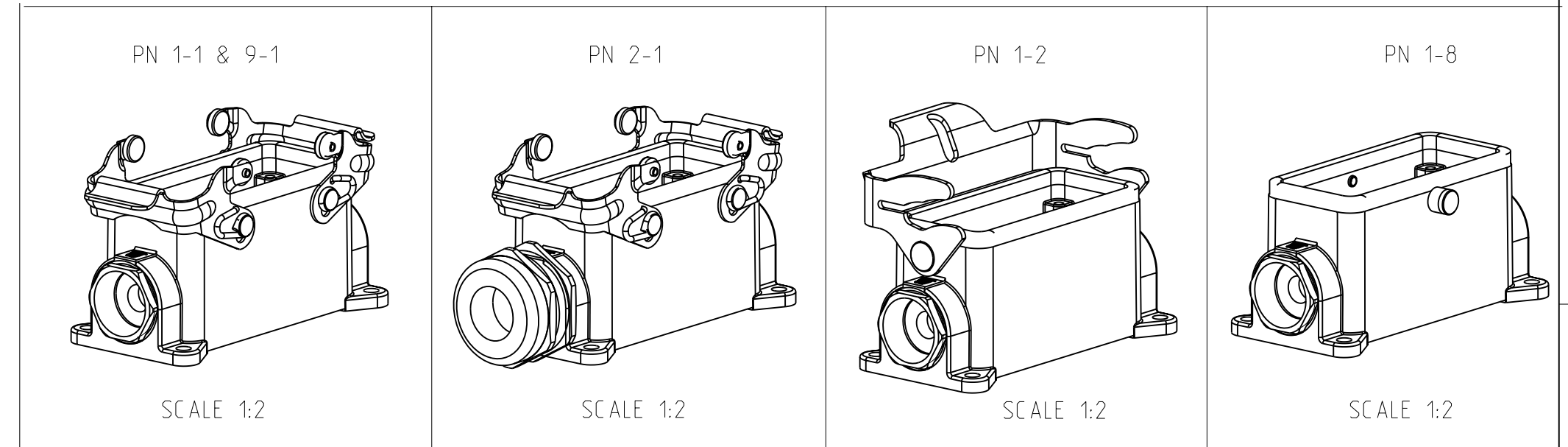
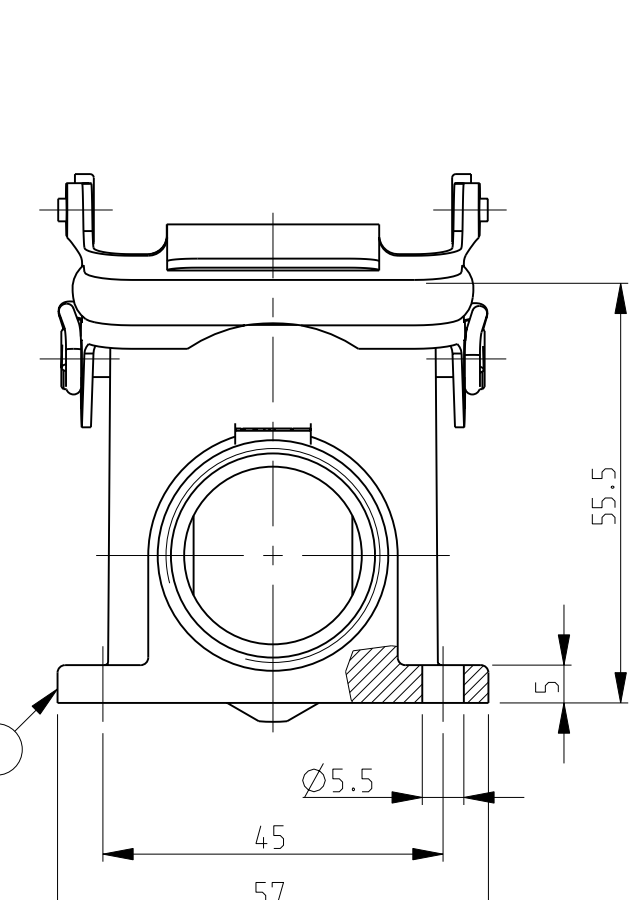
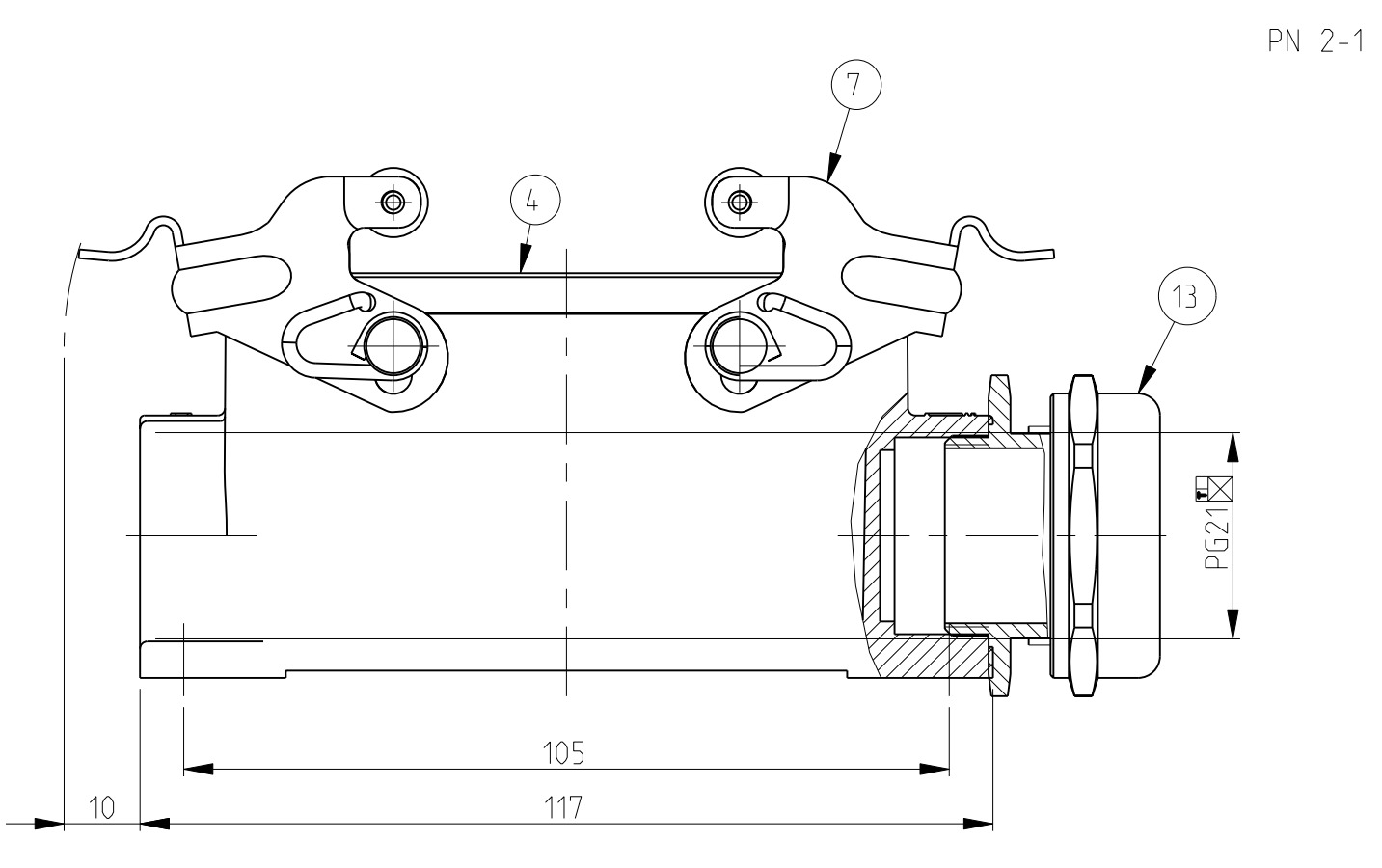


LOC	DIST	REVISIONS					
A	I	P	LTR	DESCRIPTION	DATE	DWN	APVD
		A5		ECR-16-016768	15NOV2017	GR	MKO



- NOTES.
- 1 Material:Housing:Aluminium Diecasting Alloy
Seals:Neoprene
 - 2 Surface:Varnish grey
-Aluminium Oxide +Varnish Black
 - 3 Varnish on the inside not necessary
 - 4 Packaging
Quantity 5 Pieces in a box
 - 5 OBSOLETE PARTS: OBSOLETE CIS STREAMLINING PER D.RENAUD/D.SINISI



QTY	ITEM NO	DESCRIPTION	MATERIAL	SURFACE	COLOR	REMARKS
1	1	DS-Cable fitting Pg21	Brass	Nickel plated		14 Sealing with viton
1	1	Hut-Gland Fitting Pg21	Brass	Nickel plated		13
1	1	DS-Cable fitting Pg21	Brass	Nickel plated		12
1	2	ZB-Clip Positioner	Stainless steel			11
1	2	ZB-Clip Positioner	Steel	Zinc plated		10
1	1	LB-Side Clip	Stainless steel			9
1	1	LB-Side Clip	Steel	Zinc plated		8
1	2	VS-Locking Clip	Stainless steel			7
1	2	VS-Locking Clip	Steel	Zinc plated		6
1	1	Profile seal	Viton		Grey	5
1	1	Profile seal	Neoprene		Black	4
1	1	Surface mounted housing side entry HB.16.Pg.1.21	Aluminium		Without varnish	3
1	1	Surface mounted housing side entry HB.16.Pg.1.21	Aluminium	Aluminium oxide	Black RAL 9005	2
1	1	Surface mounted housing side entry HB.16.Pg.1.21	Aluminium		Grey RAL 7001	1

ORDERING TEXT
 HB.16.SG-VS.1.21
 HB-K.16.SG-VS.4.21
 HB.16.SG-LB.1.21
 HB-K.16.SG-LB.1.21
 HB-Z.16.SG-ZVGR.1.21
 HB-K/Z.16.SG-ZVGR.1.21
 HB.16.SG-VS.1.21-SO

THIS DRAWING IS UNPUBLISHED. RELEASED FOR PUBLICATION .1999 BY TYCO ELECTRONICS CORPORATION, ALL RIGHTS RESERVED.

DWN: Schneider 21.07.1999
 CHK: Schneider 21.07.1999
 APVD: -

DIMENSIONS: mm
 TOLERANCES UNLESS OTHERWISE SPECIFIED:
 0 PLC ±0.1
 1 PLC ±0.2
 2 PLC ±0.3
 3 PLC ±0.4
 4 PLC ±0.5
 ANGLES ±0.5

MATERIAL: - FINISH: -

PRODUCT SPEC: 108-74001.74003
 APPLICATION SPEC: 114-74001.74004

WEIGHT: -
 CUSTOMER DRAWING

NAME: Surface mounted housing side entry HB.16.1.21
 SIZE: A1
 CAGE CODE: 00779
 DRAWING NO: C=1102298

RESTRICTED TO: -
 SCALE: 1:1 SHEET: 1 OF 1 REV: A5

TE Connectivity

Mouser Electronics

Authorized Distributor

Click to View Pricing, Inventory, Delivery & Lifecycle Information:

[TE Connectivity:](#)

[9-1102298-1](#)