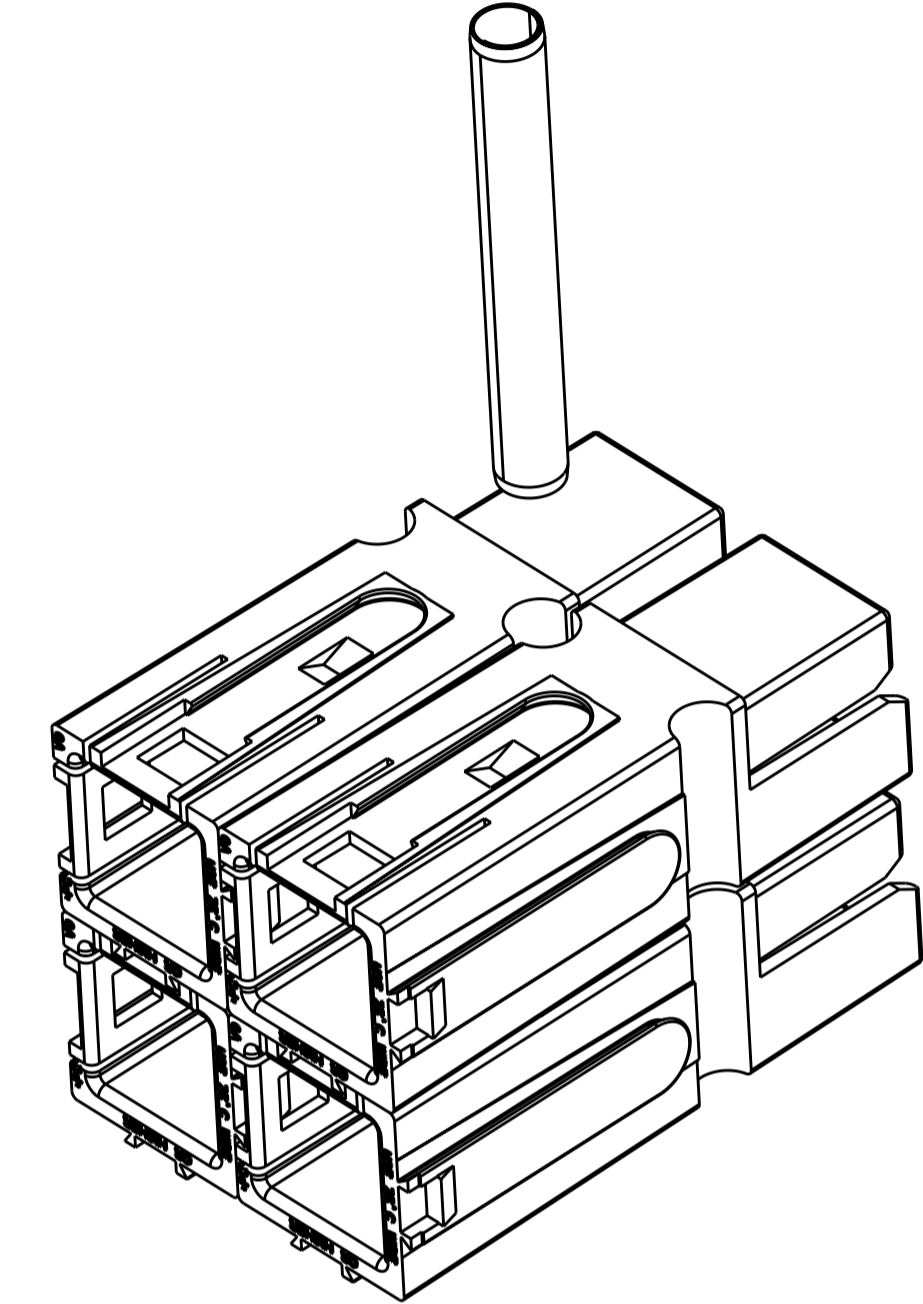
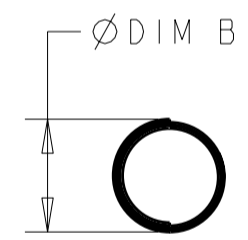
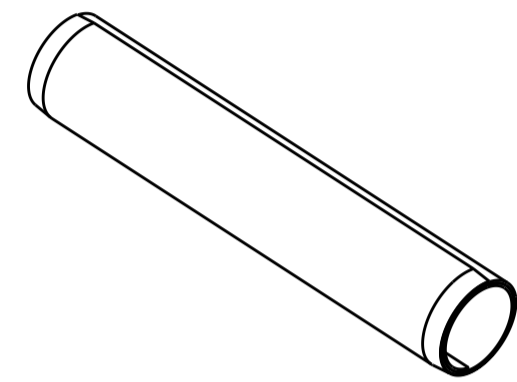


THIS DRAWING IS UNPUBLISHED. RELEASED FOR PUBLICATION 20
 © COPYRIGHT 20 BY ALL RIGHTS RESERVED.

LOC	DIST	REVISIONS			
P	LTR	DESCRIPTION	DATE	DWN	APVD
CM	00				
P		REVISED PER ECO-11-005140	23MAR2011	RK	HMR



TYPICAL USES

⚠ OBSOLETE PARTS: OBSOLETE CIS STREAMLINING PER D.RENAUD/D.SINISI

Ø DIM B	DIM A	PART NUMBER
2.36-2.51	21.59	1445886-6
2.51-2.69	11.18	1445886-5
2.49-2.62	6.35	1445886-4
5-5.25	38.10	1445886-3
5-5.25	25.40	1445886-2
5-5.25	14.22	1445886-1

⚠ OBSOLETE



THIS DRAWING IS A CONTROLLED DOCUMENT.		DWN BH	15OCT01	TE Connectivity NAME RETAINER PIN, POWER PRODUCT	
DIMENSIONS: mm		CHK KAK	15OCT01		
TOLERANCES UNLESS OTHERWISE SPECIFIED:		APVD KAK	15OCT01		
0 PLC ±- 1 PLC ±- 2 PLC ±0.13 3 PLC ±- 4 PLC ±- ANGLES ±- FINISH		PRODUCT SPEC	-		
MATERIAL 302 STAINLESS STEEL	PASSIVATED	APPLICATION SPEC	-	WEIGHT	-
		CUSTOMER DRAWING	SCALE 3:1	SIZE A2	CAGE CODE 00779
				DRAWING NO C-1445886	RESTRICTED TO -
				SHEET 1	OF 1
				REV P	

Mouser Electronics

Authorized Distributor

Click to View Pricing, Inventory, Delivery & Lifecycle Information:

[TE Connectivity:](#)

[1445886-6](#)