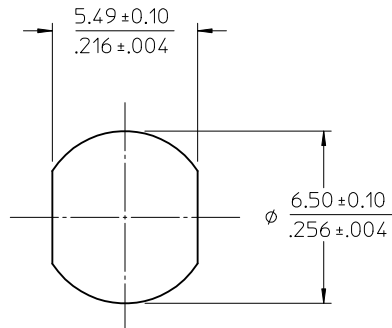
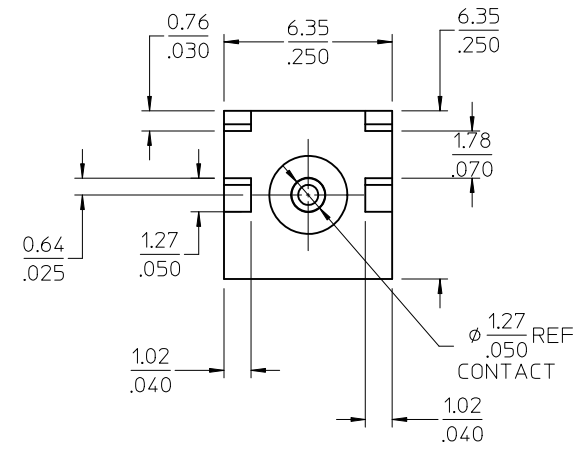
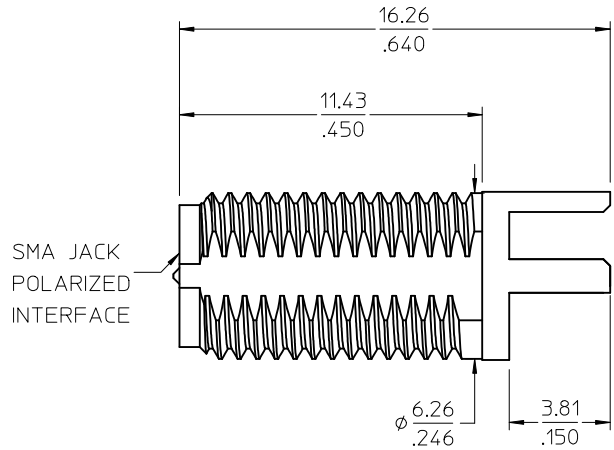
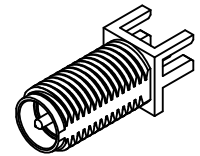


MATERIALS AND FINISHES

BODY: BRASS
PLATED: GOLD

CENTER CONTACT: BRASS
PLATED: GOLD

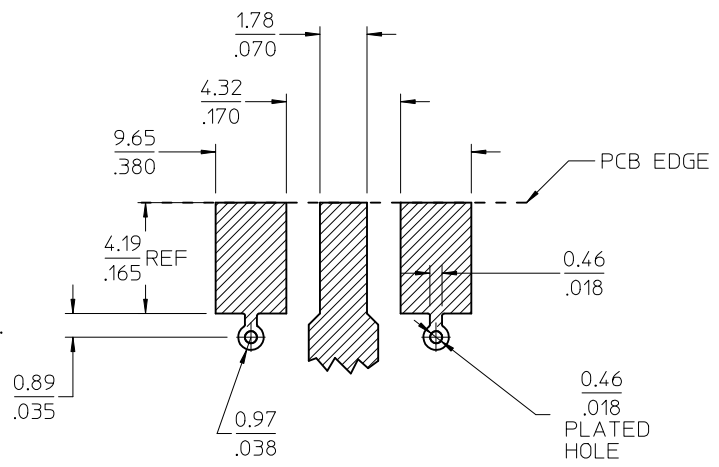
INSULATOR: TEFLON



RECOMMENDED PANEL CUTOUT

RECOMMENDED PAD LAYOUT

BASE WIDTH: 6.35(.250) NOM.
BOARD THICKNESS: 1.57(.062) NOM.
BOARD MATERIAL: FR4 W/1.0 OZ
COPPER BOTH SIDES



PART # 73251-3150
PACKAGING: BULK
SEE SHEET TWO FOR OTHER PART NUMBERS

CHG: ADD -3152	EC NO: URF2012-0435	DRWN:JWIENER 2012/01/27	CHKD:SSS 2012/01/27	APPR:JWIENER 2012/01/31	DESCRIPTION	QUALITY SYMBOLS ▽=0 ▽=0	GENERAL TOLERANCES (UNLESS SPECIFIED)		DIMENSION STYLE	SCALE	DESIGN UNITS	THIRD ANGLE PROJECTION
							mm	INCH	MM/IN	INCH	INCH	INCH
DRAWN BY							DATE		TITLE			
AZR							2007/01/31		SMA JACK POLARIZED EDGE MOUNT, .062 PCB, 50 OHM SMA-J/PCB, EWR-3281			
CHECKED BY							DATE		MOLEX MOLEX INCORPORATED			
SSS							2007/01/31		SD-73251-315			
APPROVED BY							DATE		SHEET NO.			
JWIENER							2010/10/27		1 OF 2			
MATERIAL NO.							DOCUMENT NO.		THIS DRAWING CONTAINS INFORMATION THAT IS PROPRIETARY TO MOLEX INCORPORATED AND SHOULD NOT BE USED WITHOUT WRITTEN PERMISSION			
SEE TABLE							SD-73251-315					
DRAFT WHERE APPLICABLE MUST REMAIN WITHIN DIMENSIONS							SIZE					
A1							C					

MATERIALS AND FINISHES

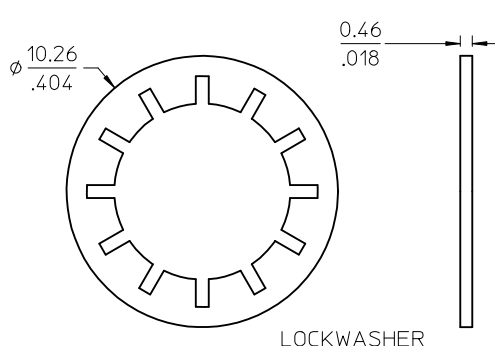
BODY: BRASS
PLATED: GOLD

CENTER CONTACT: BRASS
PLATED: GOLD

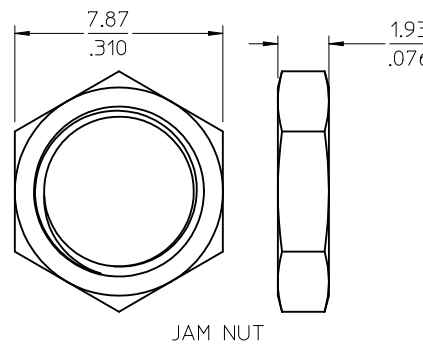
INSULATOR: TEFLON

JAM NUT: BRASS
PLATED: GOLD

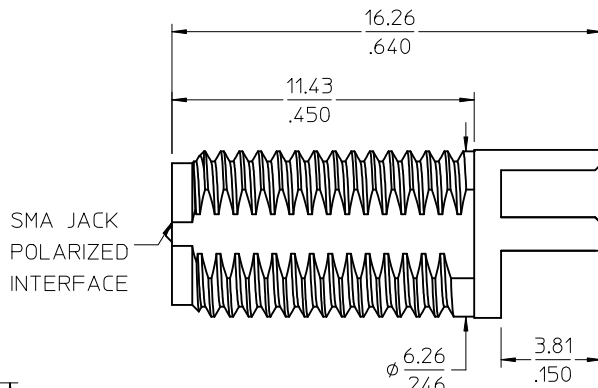
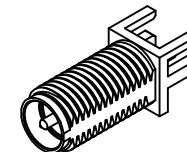
LOCKWASHER: PHOSPHOR BRONZE
PLATED: GOLD



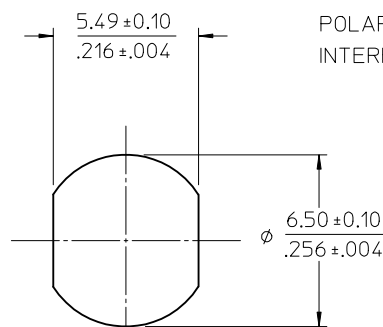
LOCKWASHER



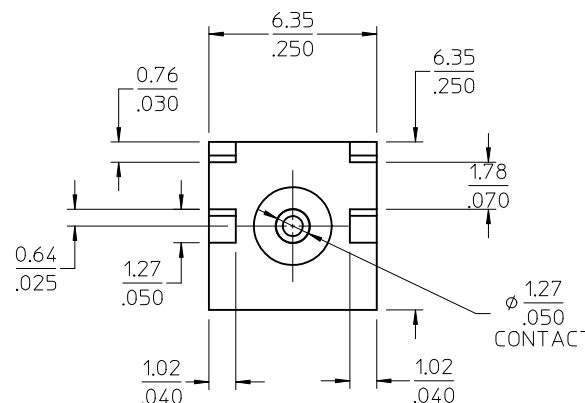
JAM NUT



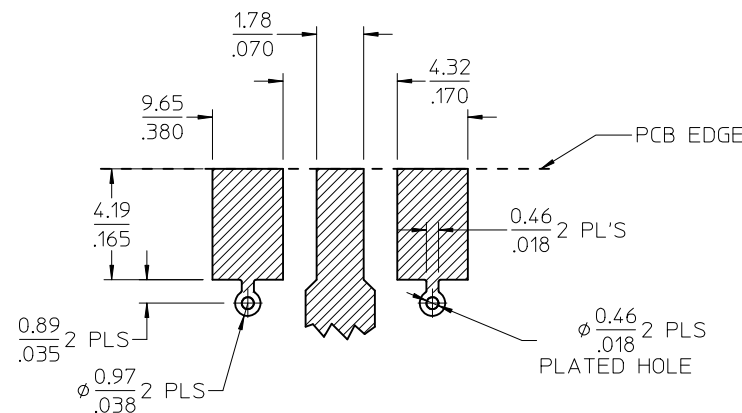
SMA JACK
POLARIZED
INTERFACE



RECOMMENDED PANEL CUTOUT



1.27
.050
CONTACT



PCB EDGE

RECOMMENDED PAD LAYOUT

BASE WIDTH: 6.35(.250) NOM.
BOARD THICKNESS: 1.57(.062) NOM.
BOARD MATERIAL: FR4 W/1.0 OZ

COPPER BOTH
SIDES

73251-3152	ONE PER BAG
73251-3151	BULK
PART NO.	PACKAGING

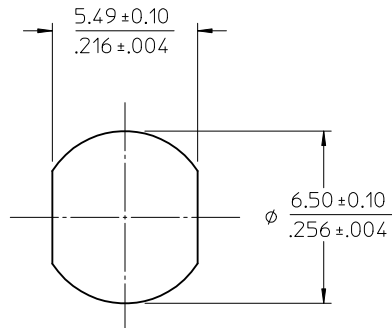
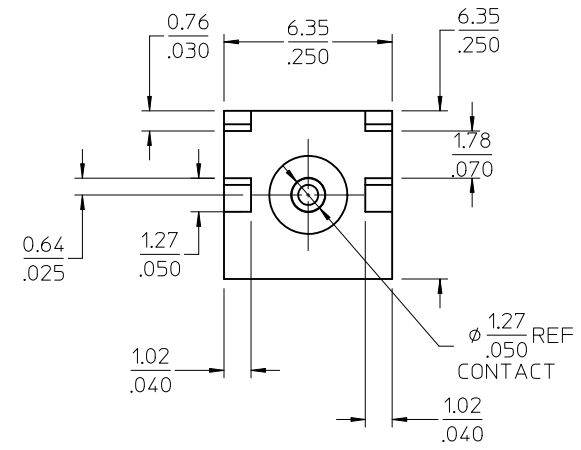
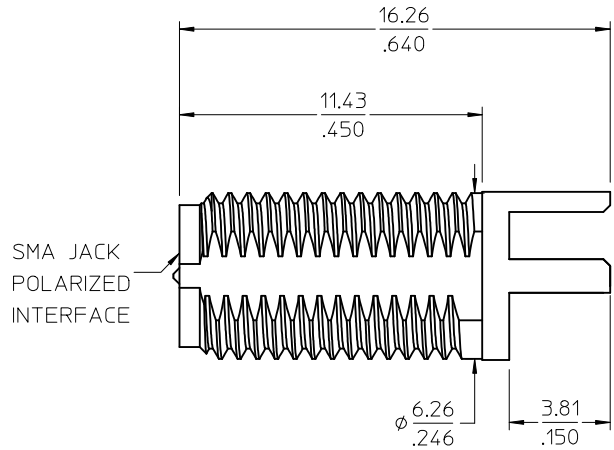
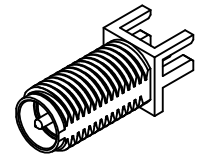
CHG: SEE SHEET 1	REV	DESCRIPTION	QUALITY SYMBOLS	GENERAL TOLERANCES (UNLESS SPECIFIED)	DIMENSION STYLE	SCALE	DESIGN UNITS	THIRD ANGLE PROJECTION	TITLE	DOCUMENT NO.	SHEET NO.
	A1										
EC NO: URF2012-0435	2012/01/27	DRWN: JWIENER	2012/01/27	2012/01/27	MM/IN	INCH	INCH	☉	SMA JACK POLARIZED EDGE MOUNT, .062 PCB, 50 OHM SMA-J/PCB, EWR-3281	SD-73251-315	2 OF 2
CHKD: SSS	2012/01/27	APPR: JWIENER	2012/01/31	2012/01/27	DRAWN BY	DATE					
					CHECKED BY	DATE					
					APPROVED BY	DATE					
					JWIENER	2010/10/27					
					MATERIAL NO.						
					SEE TABLE						
					DRAFT WHERE APPLICABLE MUST REMAIN WITHIN DIMENSIONS						
					SIZE						
					THIS DRAWING CONTAINS INFORMATION THAT IS PROPRIETARY TO MOLEX INCORPORATED AND SHOULD NOT BE USED WITHOUT WRITTEN PERMISSION						

MATERIALS AND FINISHES

BODY: BRASS
PLATED: GOLD

CENTER CONTACT: BRASS
PLATED: GOLD

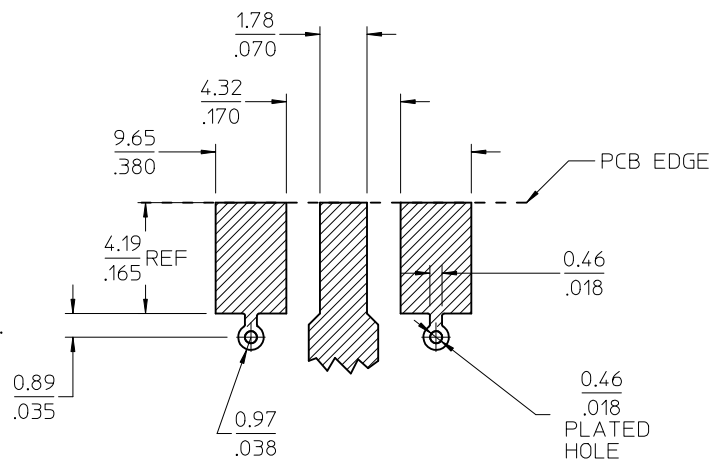
INSULATOR: TEFLON



RECOMMENDED PANEL CUTOUT

RECOMMENDED PAD LAYOUT

BASE WIDTH: 6.35(.250) NOM.
BOARD THICKNESS: 1.57(.062) NOM.
BOARD MATERIAL: FR4 W/1.0 OZ
COPPER BOTH SIDES



PART # 73251-3150
PACKAGING: BULK
SEE SHEET TWO FOR OTHER PART NUMBERS

CHG: ADD -3152	EC NO: URF2012-0435	2012/01/27	DRWN:JWIENER	2012/01/27	CHKD:SSS	2012/01/27	APPR:JWIENER	2012/01/31
DESCRIPTION		QUALITY SYMBOLS		=0		=0		
REV		A1						

GENERAL TOLERANCES (UNLESS SPECIFIED)	
	mm
	INCH
4 PLACES	± .005
3 PLACES	± .004
2 PLACES	± .003
1 PLACE	± .002
ANGULAR ± 2°	
DRAFT WHERE APPLICABLE MUST REMAIN WITHIN DIMENSIONS	

DIMENSION STYLE		SCALE	
MM/IN		INCH	
DRAWN BY	DATE	TITLE	THIRD ANGLE PROJECTION
AZR	2007/01/31	SMA JACK POLARIZED EDGE MOUNT, .062 PCB, 50 OHM SMA-J/PCB, EWR-3281	
CHECKED BY	DATE	MOLEX MOLEX INCORPORATED	
SSS	2007/01/31		
APPROVED BY	DATE	DOCUMENT NO.	
JWIENER	2010/10/27	SD-73251-315	
MATERIAL NO.		SHEET NO.	
SEE TABLE		1 OF 2	
THIS DRAWING CONTAINS INFORMATION THAT IS PROPRIETARY TO MOLEX INCORPORATED AND SHOULD NOT BE USED WITHOUT WRITTEN PERMISSION			

MATERIALS AND FINISHES

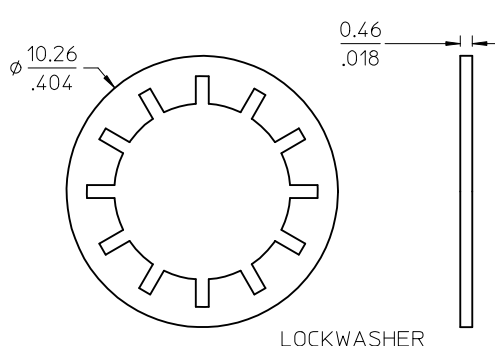
BODY: BRASS
PLATED: GOLD

CENTER CONTACT: BRASS
PLATED: GOLD

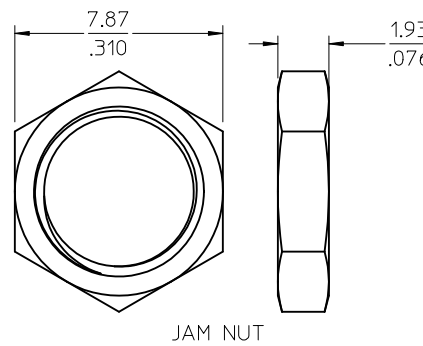
INSULATOR: TEFLON

JAM NUT: BRASS
PLATED: GOLD

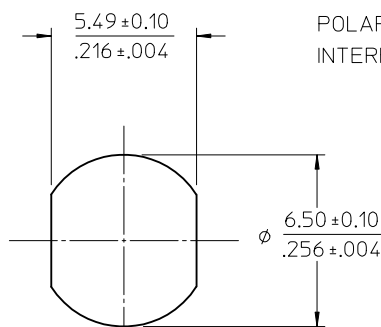
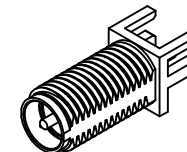
LOCKWASHER: PHOSPHOR BRONZE
PLATED: GOLD



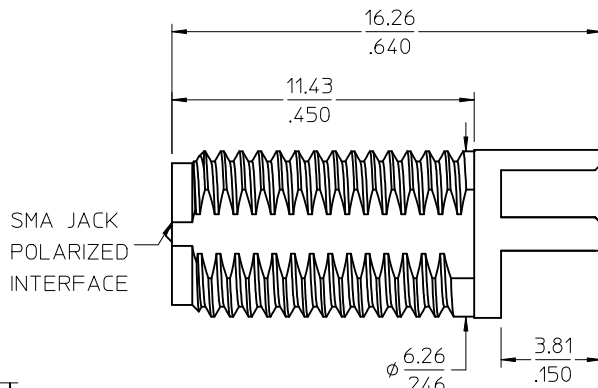
LOCKWASHER



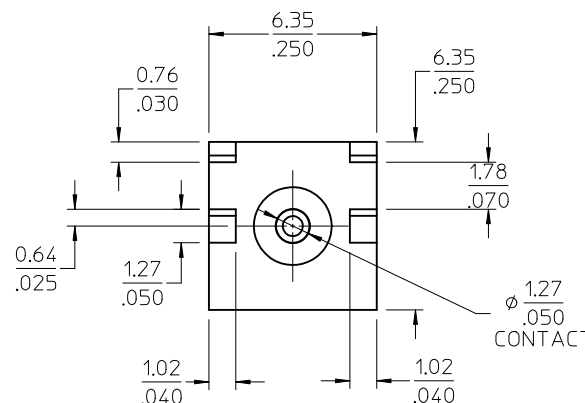
JAM NUT



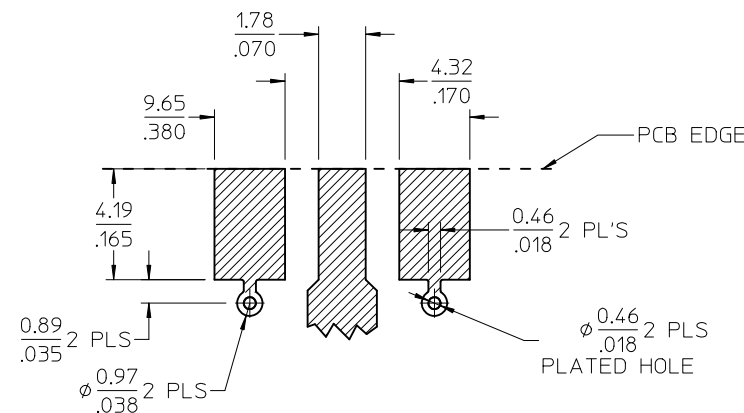
RECOMMENDED PANEL CUTOUT



SMA JACK
POLARIZED
INTERFACE



1.27
± .050
CONTACT



PCB EDGE

RECOMMENDED PAD LAYOUT

BASE WIDTH: 6.35(.250) NOM.
BOARD THICKNESS: 1.57(.062) NOM.
BOARD MATERIAL: FR4 W/1.0 OZ
COPPER BOTH
SIDES

73251-3152	ONE PER BAG
73251-3151	BULK
PART NO.	PACKAGING

CHG: SEE SHEET 1	EC NO: URF2012-0435	QUALITY SYMBOLS ▽=0 ▽=0
	DRWN: JWIENER 2012/01/27	
	CHKD: SSS 2012/01/27	
	APPR: JWIENER 2012/01/31	
	REV: A1	

GENERAL TOLERANCES (UNLESS SPECIFIED)	DIMENSION STYLE	SCALE	DESIGN UNITS	THIRD ANGLE PROJECTION
4 PLACES ± --- ± ---	MM/IN	INCH	INCH	☉
3 PLACES ± --- ± ---				
2 PLACES ± --- ± ---				
1 PLACE ± --- ± ---				
ANGULAR ± 2 °				

DRAWN BY	DATE	TITLE
AZR	2007/01/31	SMA JACK POLARIZED EDGE MOUNT, .062 PCB, 50 OHM SMA-J/PCB, EWR-3281
CHECKED BY	DATE	
SSS	2007/01/31	
APPROVED BY	DATE	
JWIENER	2010/10/27	
MATERIAL NO.	DOCUMENT NO.	SHEET NO.
SEE TABLE	SD-73251-315	2 OF 2

MOLEX INCORPORATED	
THIS DRAWING CONTAINS INFORMATION THAT IS PROPRIETARY TO MOLEX INCORPORATED AND SHOULD NOT BE USED WITHOUT WRITTEN PERMISSION	