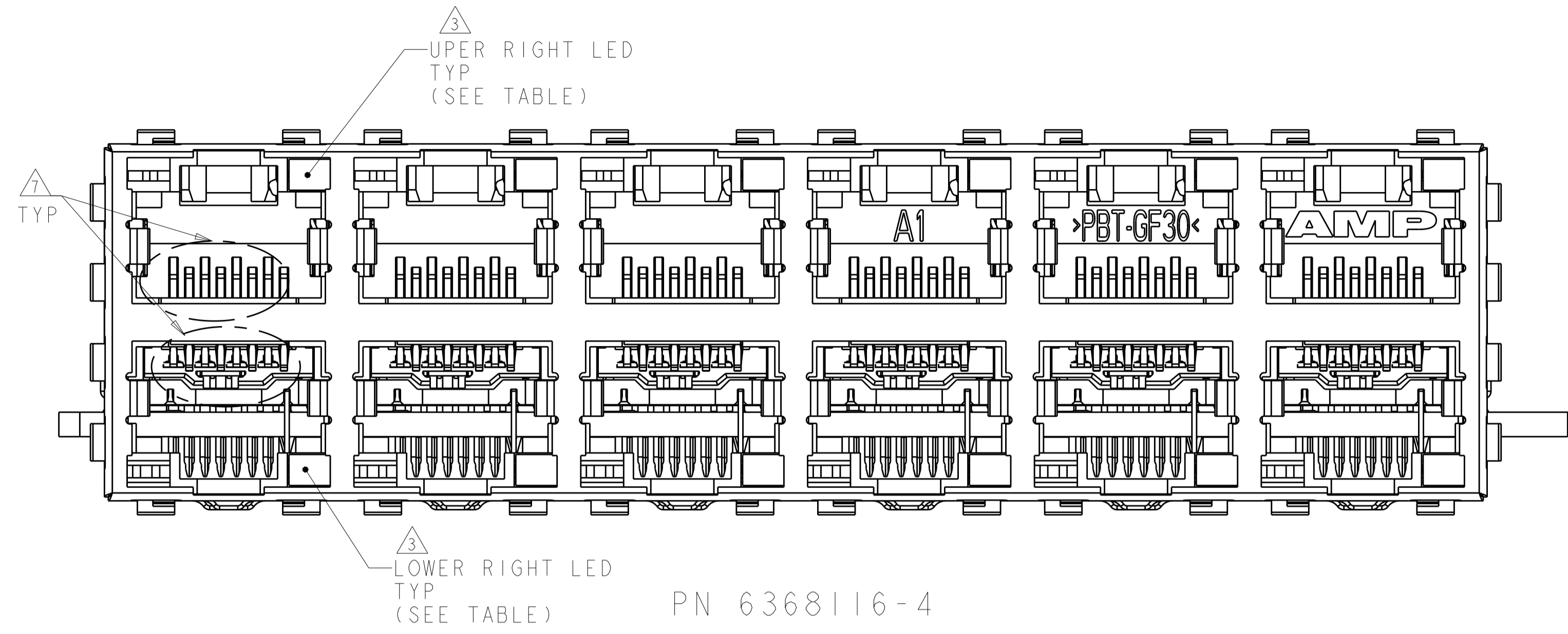
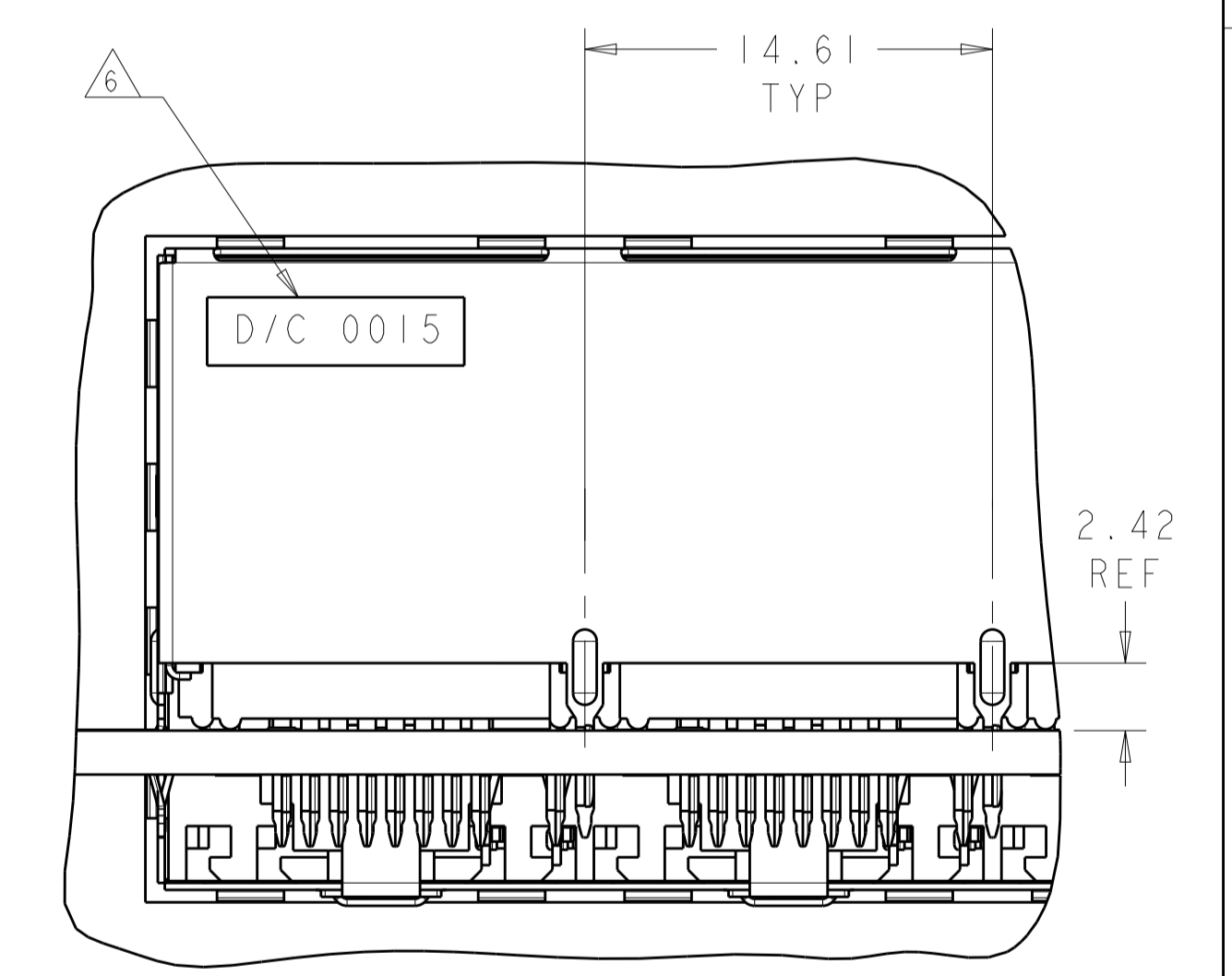
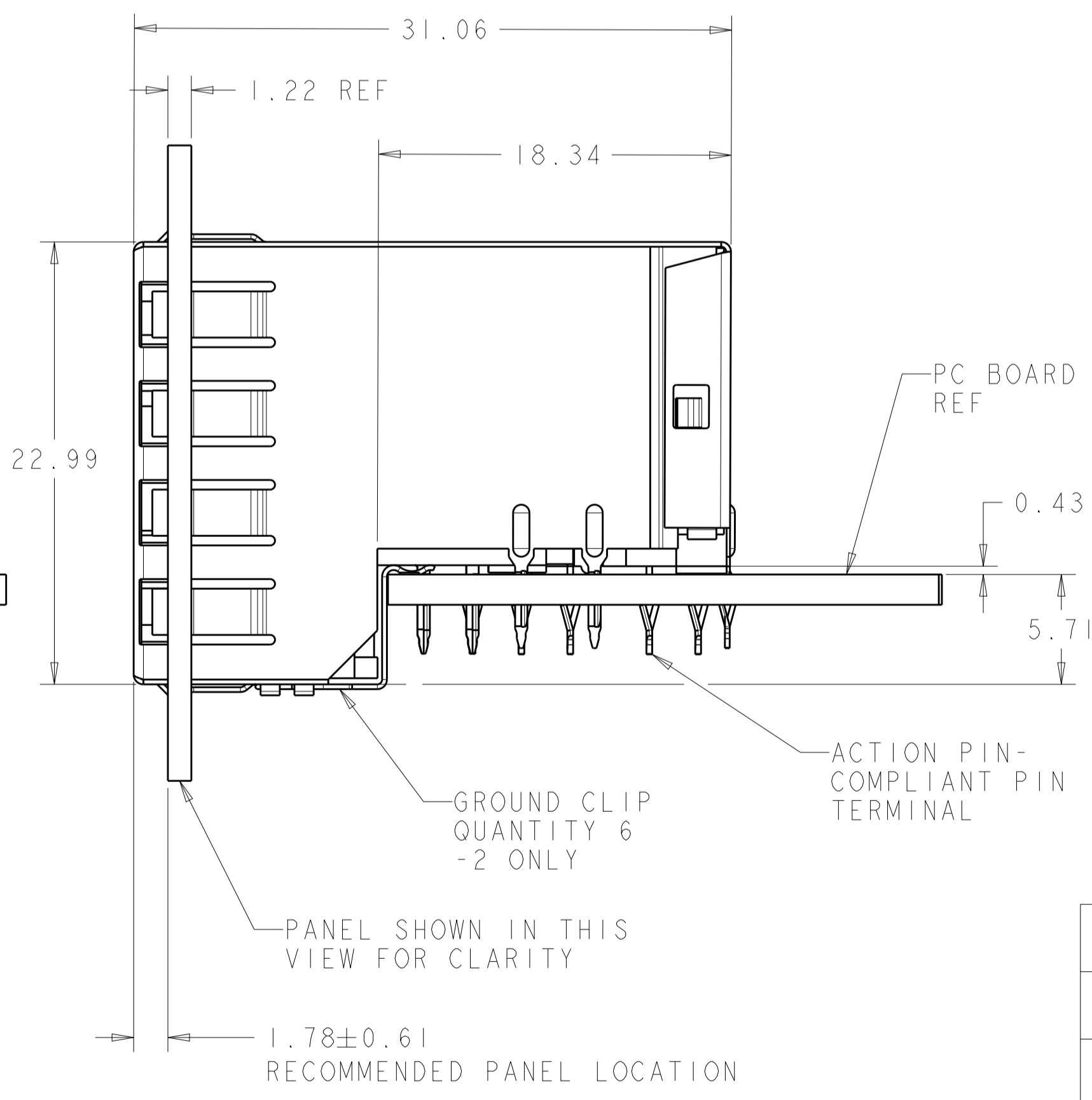
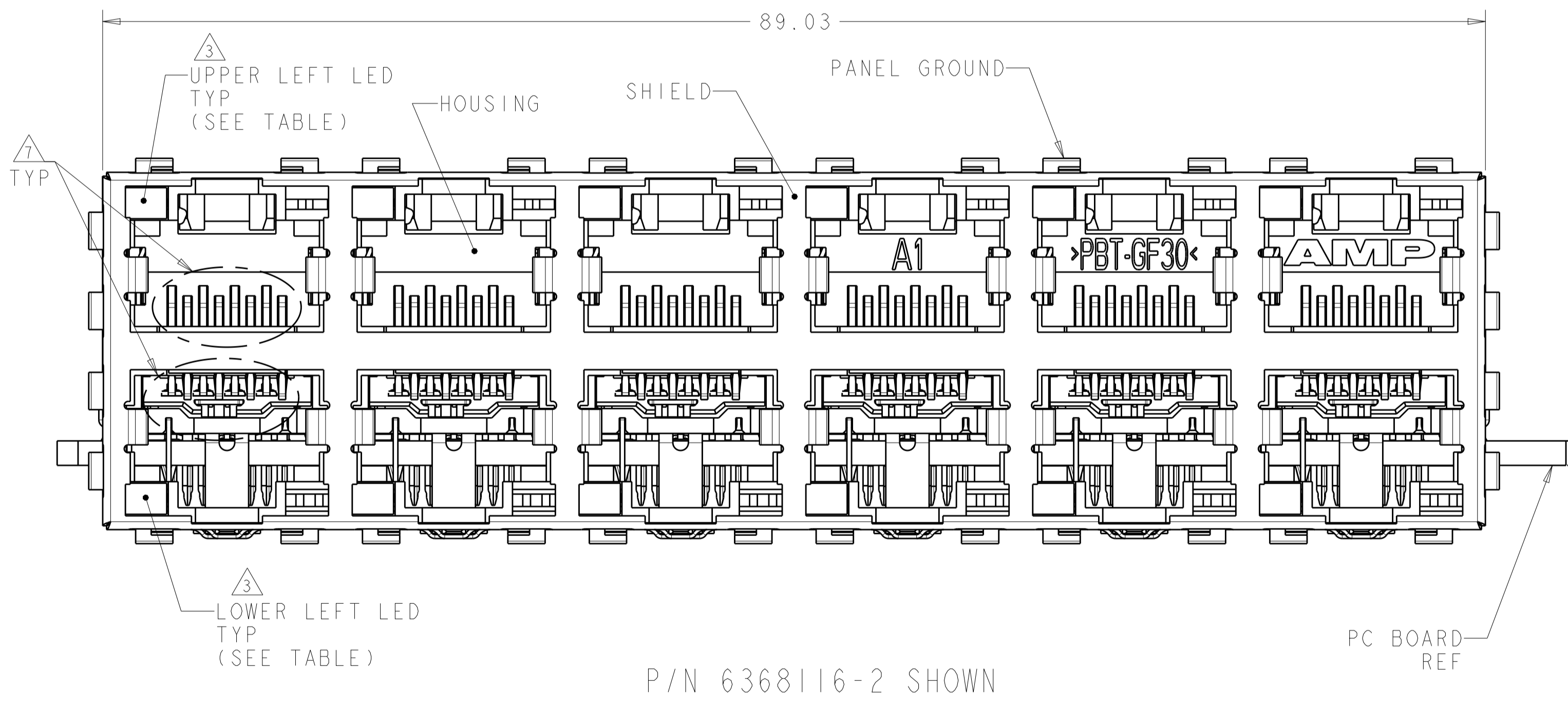


LOC	DIST	REVISIONS			
P	LTN	DESCRIPTION	DATE	OWN	APVD
C1		REVISED PER ECO-09-025699	12DEC09	KK	AEG
D		ECO-11-021476	26OCT11	JJ	MOW
E		ECO-15-006810	29DEC2015	LL	SH



- MATERIAL:
 HOUSING:
 PBT POLYESTER, BLACK, UL 94V-0.
 TERMINALS:
 0.33 THICK PHOSPHOR BRONZE PLATED WITH 1.27µm MINIMUM THICK HARD GOLD IN LOCALIZED AREA AND 2µm MINIMUM THICK MATTE TIN IN ACTION PIN COMPLIANT PIN TERMINAL AREA OVER 1.27µm MINIMUM THICK NICKEL UNDERPLATE.
 SHIELD:
 0.25 THICK COPPER ALLOY PLATED WITH 2.03µm MINIMUM BRIGHT TIN OVER 1.27µm MINIMUM NICKEL.
 LIGHT EMITTING DIODE (LED):
 DIFFUSED EPOXY LENS, 0.51 CARBON STL WIREFRAME LEADS PREPLATED WITH 8.89 µm THICK TIN/COPPER OVER 2.03 µm THICK SILVER OVER 1.02 µm THICK COPPER OVER 3.56 µm THICK NICKEL OVER 1.02 µm THICK COPPER UNDERPLATE
 LED ACTION PIN - COMPLIANT PIN CONTACTS 0.3 THICK BRASS PLATED WITH 2µm MINIMUM MATTE TIN OVER 1.27µm MINIMUM NICKEL UNDERPLATE.
 - JACK CAVITY CONFORMS TO FCC RULES AND REGULATIONS, PART 68 SUBPART F.
- 3 SUGGESTED OPERATING CURRENT FOR LEDS IS 20 mA
 - 4 DRILLED HOLE DIA = 1.02±.025.
 COPPER THICKNESS = 0.025-0.075.
 TIN THICKNESS = 0.008 MIN.
 - 5 DATUMS AND BASIC DIMENSIONS ESTABLISHED BY CUSTOMER
 - 6 DATE CODE LOCATED ON REAR OF PART APPROXIMATELY AS SHOWN
 - 7 CONTACTS ARE NOT INTENDED TO BE ALIGNED WITH EACH OTHER
 - 8 FOR THE PART NUMBER 6368116-4, CONTACT AREA LUBRICATED WITH BELLCORE APPROVED LUBRICANT. TECHNICAL REFERENCE GR-1217-CORE, ISSUE 1, NOVEMBER 1995.
 - 9 OBSOLETE PARTS: OBSOLETE CIS STREAMLINING PER D.RENAUD/D.SINISI



LED COLOR	DESCRIPTION	PART NUMBER
GREEN	RIGHT HAND LEDS ONLY	6368116-4 8
YELLOW/GREEN	LEFT HAND LEDS ONLY	6368116-3
GREEN	LEFT HAND LEDS WITH GROUND CLIPS	6368116-2
GREEN	LEFT HAND LEDS ONLY	6368116-1

THIS DRAWING IS A CONTROLLED DOCUMENT.

OWN: A. FERNANDEZ 27JUL2005
 CH: J. WESTMAN 27JUL2005
 APVD: S. FLICKINGER 27JUL2005

TE Connectivity

NAME: OFFSET STACKED MOD JACK ASSEMBLY
 2 X 6, 8 POSITION, RJ45, SHIELDED,
 PANEL GROUND, WITH LEFT LED, CAT 5

PRODUCT SPEC: 108-1854
 APPLICATION SPEC: 114-2160

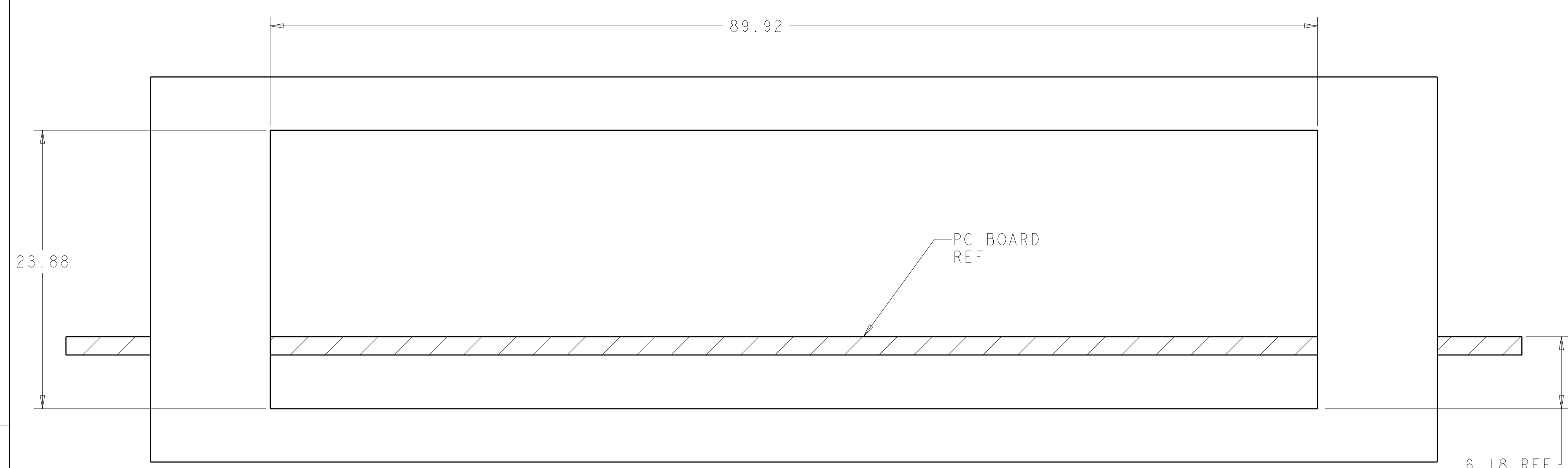
SIZE: CAGE CODE DRAWING NO: A100779
 C=6368116

RESTRICTED TO: E

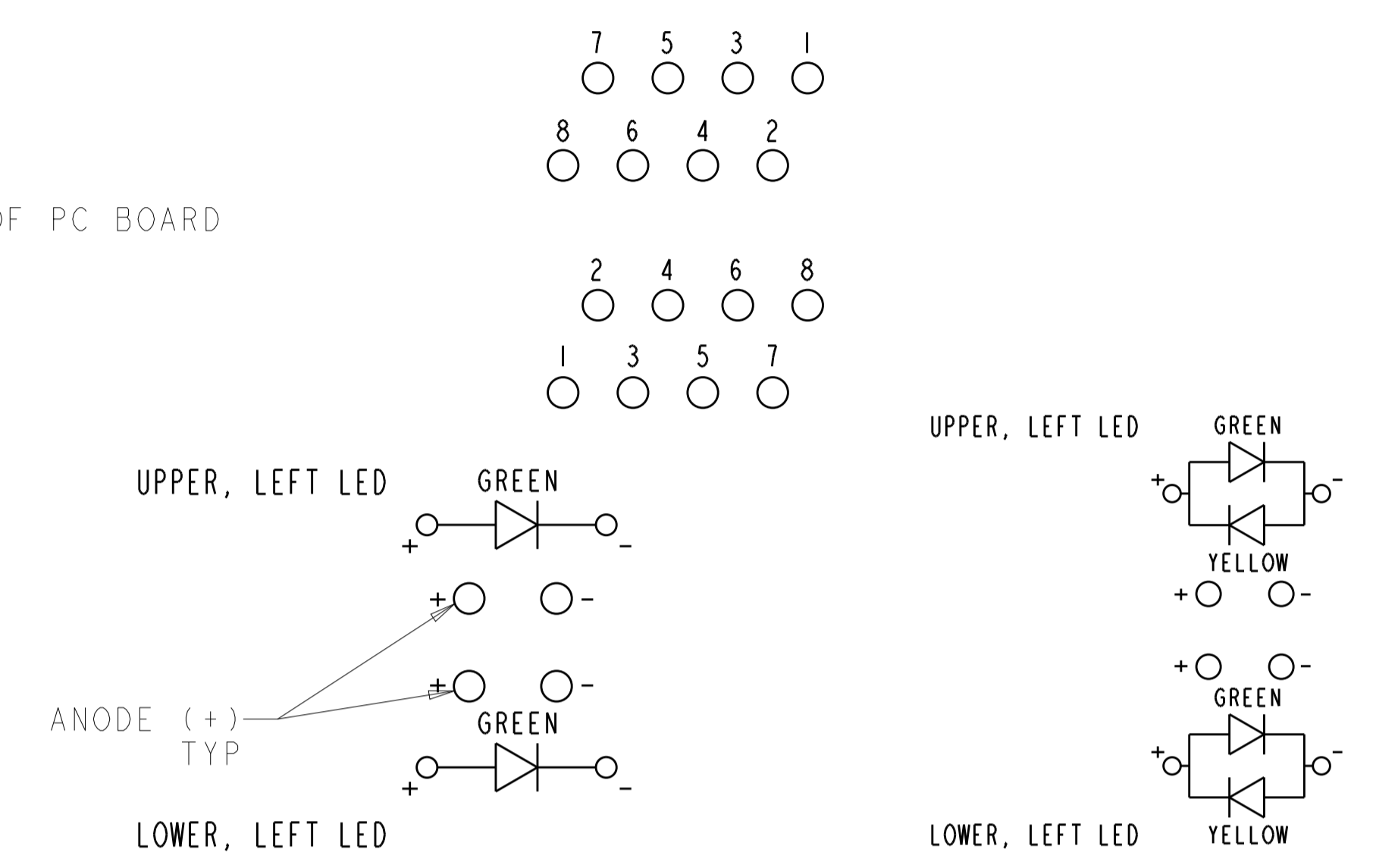
CUSTOMER DRAWING SCALE: 4:1 SHEET 1 OF 3 REV E

LOC	DIST	REV	DATE	BY	APPV
AA	22				

REVISIONS			
NO.	DESCRIPTION	DATE	BY
-	SEE SHEET 1	-	-

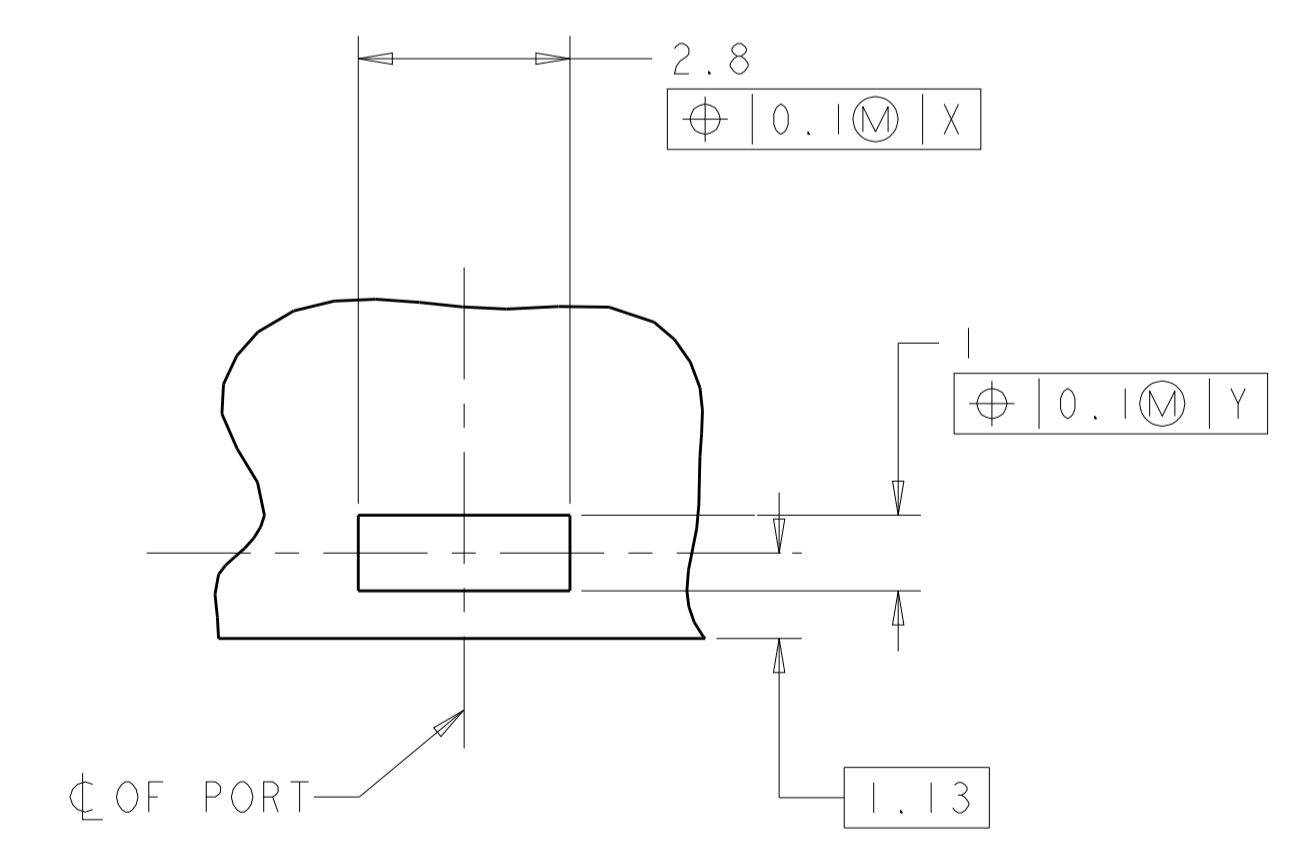
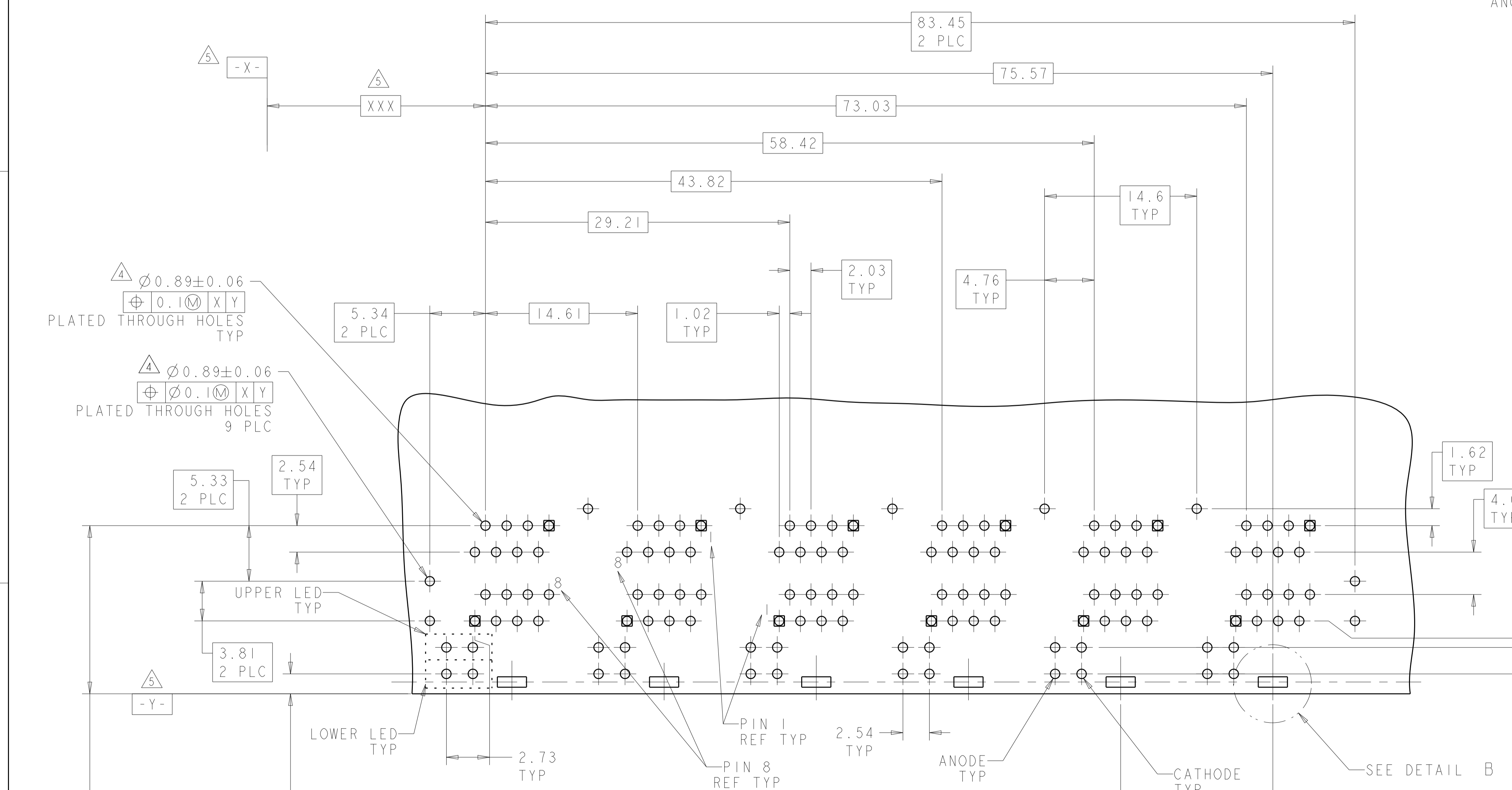


RECOMMENDED PANEL CUT-OUT



6368116-1, -2
LED SCHEMATIC

6368116-3
LED SCHEMATIC



DETAIL B
THESE PLATED PADS REQUIRED FOR 6368116-2
PRODUCT WITH GROUNDING CLIPS
SCALE 10:1
6 PLACES

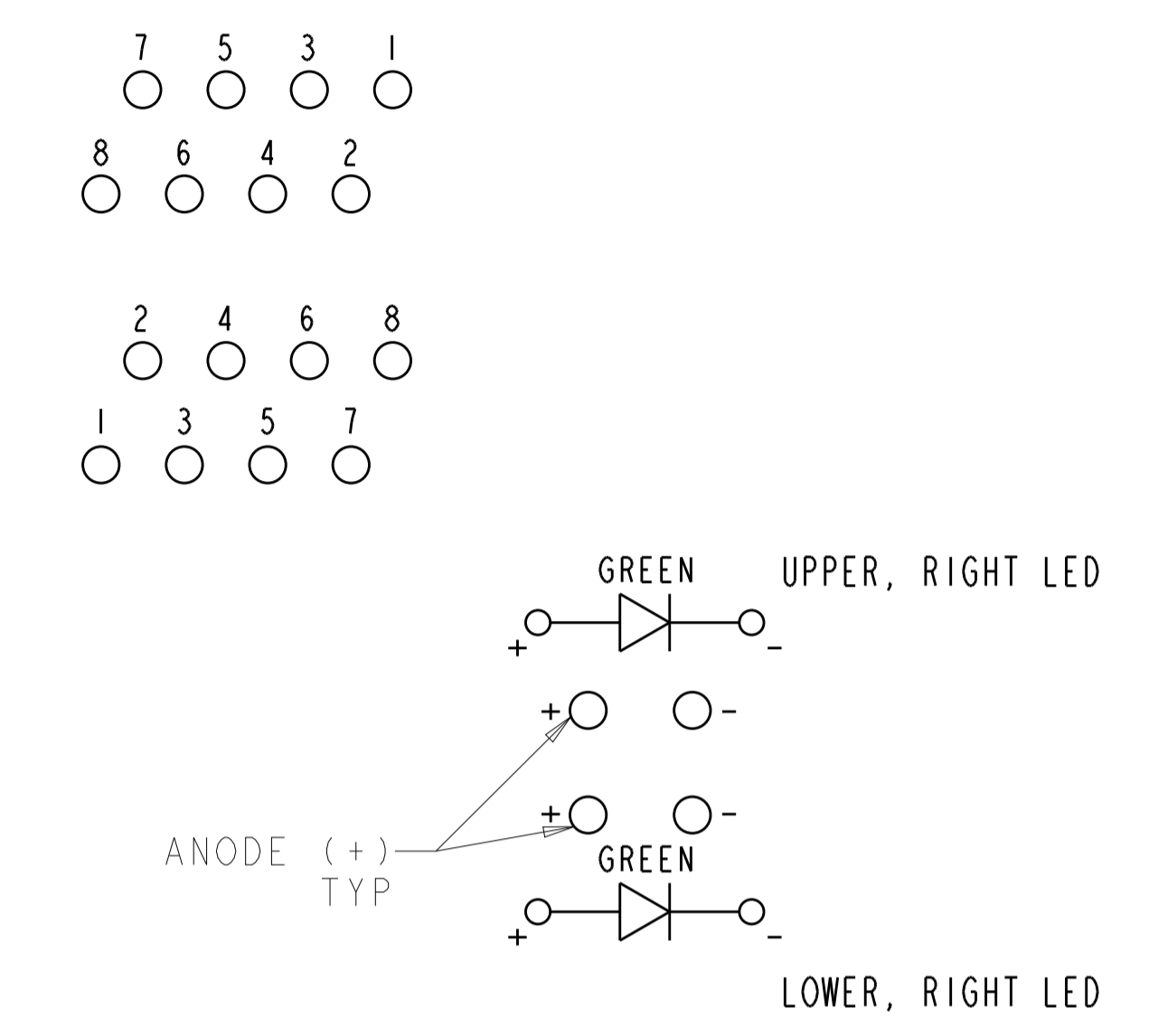
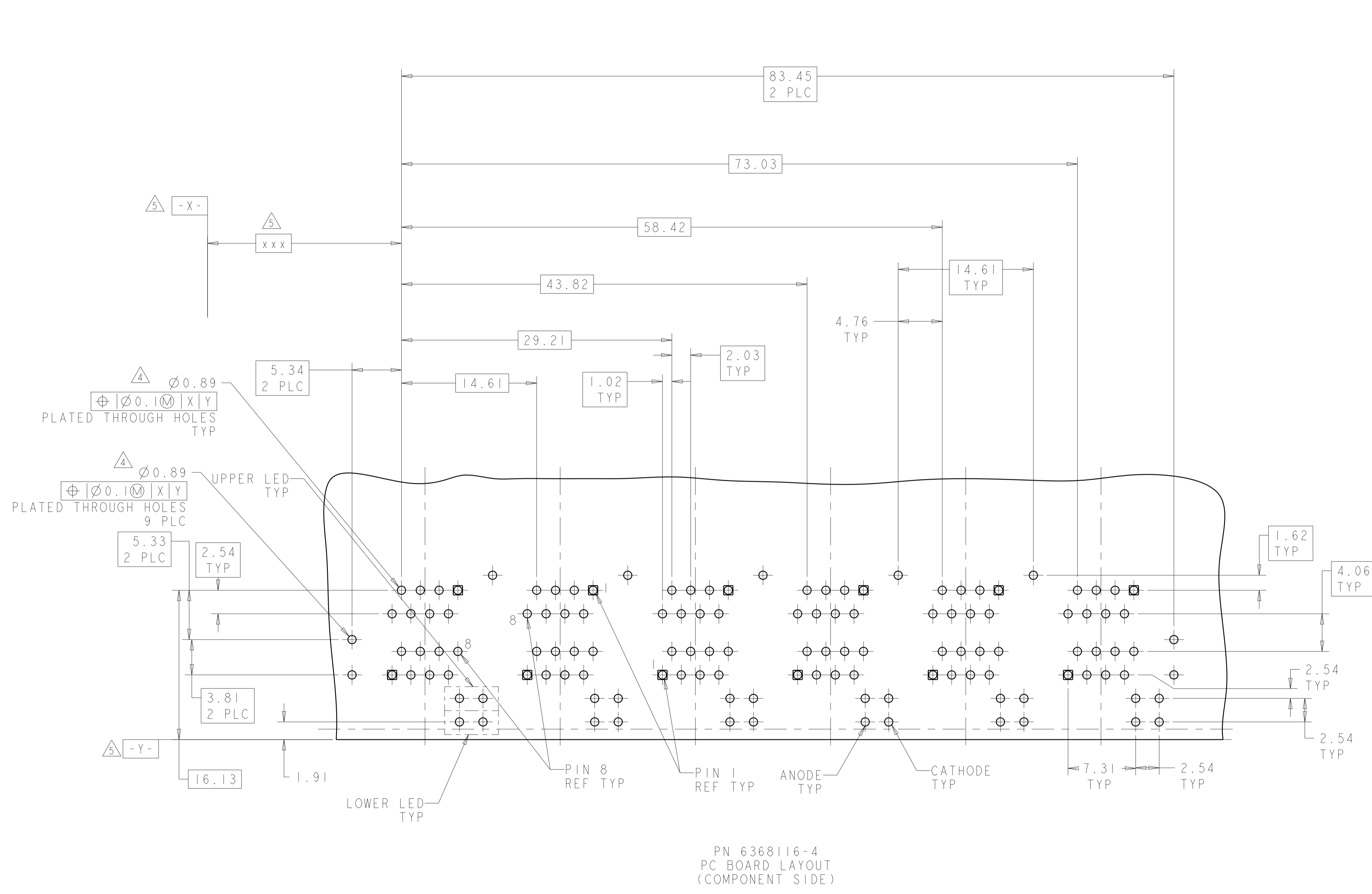
PART WITH GROUNDING CLIPS = 1.65
PART WITHOUT GROUNDING CLIPS = 1.91

15.88 WITH GROUNDING CLIPS
16.13 WITHOUT GROUNDING CLIPS

PN 6368116-1,2,3
PC BOARD LAYOUT
(COMPONENT SIDE)

THIS DRAWING IS A CONTROLLED DOCUMENT.		OWN: A. FERNANDEZ 27JUL2005	 TE Connectivity
DIMENSIONS: mm		CHK: J. WESTMAN 27JUL2005	
TOLERANCES UNLESS OTHERWISE SPECIFIED:		APVD: S. ELICKINGER 27JUL2005	NAME: OFFSET STACKED MOD JACK ASSEMBLY 2 X 6, 8 POSITION, RJ45, SHIELDED, PANEL GROUND, WITH LEFT LED, CAT 5 SIZE: CAGE CODE DRAWING NO: A100779 ©=6368116
0 PLC ±		PRODUCT SPEC: 108-1854	
1 PLC ±0.13		APPLICATION SPEC: 114-2160	
2 PLC ±		WEIGHT: -	
MATERIAL: SEE NOTE 1		FINISH: SEE NOTE 1	SCALE: 4:1
CUSTOMER DRAWING		SHEET 2 OF 3	REV E

LOC		DIST		REVISIONS			
AA	22	P	LTN	DESCRIPTION	DATE	DMN	APVD
-	-	-	-	SEE SHEET 1	-	-	-



**6368116-4
LED SCHEMATIC**

PN 6368116-4
PC BOARD LAYOUT
(COMPONENT SIDE)

THIS DRAWING IS A CONTROLLED DOCUMENT.		DMN: A.FERNANDEZ 27JUL2005	TE Connectivity
		CHK: J.WESTMAN 27JUL2005	
DIMENSIONS: mm		APVD: S.FLICKINGER 27JUL2005	NAME: OFFSET STACKED MOD JACK ASSEMBLY 2 X 6, 8 POSITION, RJ45, SHIELDED, PANEL GROUND, WITH LEFT LED, CAT 5
TOLERANCES UNLESS OTHERWISE SPECIFIED: 0 PLC ± 1 PLC ±0.13 2 PLC ±0.13 3 PLC ± 4 PLC ± ANGLES ±1°		PRODUCT SPEC: 108-1854 APPLICATION SPEC: SIZE: 114-2160 WEIGHT:	
MATERIAL: SEE NOTE 1		CUSTOMER DRAWING SCALE: 4:1 SHEET 3 OF 3 REV E	