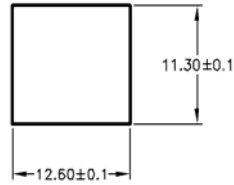
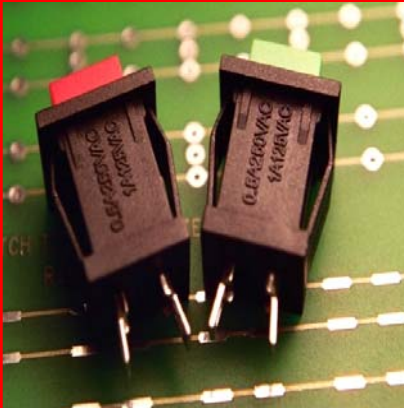


PS1057 PANEL MOUNT PUSH BUTTON SWITCHES



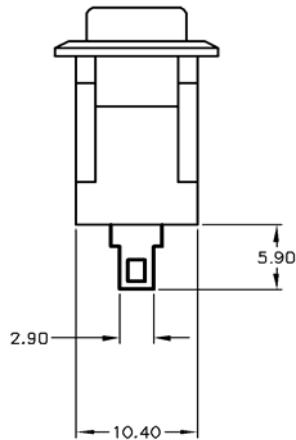
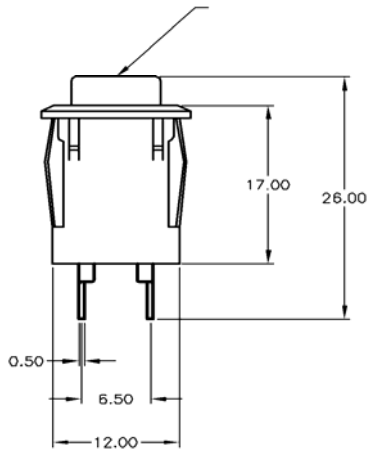
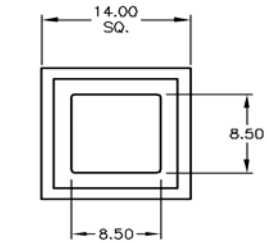
RECOMMENDED PANEL MOUNT

MECHANICAL SPECIFICATIONS

Mechanical Life: 6,000 Cycles
Electrical Life: 6,000 cycles

ELECTRICAL SPECIFICATIONS

Contact Rating: 1A@125VAC
.5A@250VAC
Contact Resistance (Initial Max): 50m Ohms
Insulation Resistance: 500VDC 100M Ohms Min.
Dielectric Strength: 1000VAC 1 minute



ENVIRONMENTAL SPECIFICATIONS

Operating/Storage Temp: -20°C to 65°C



How To Order

SERIES

PS1057

CIRCUIT

A=OFF-(ON)

(-)=Momentary

CAP COLOR

BLK=BLACK
RED=RED
GRN=GREEN
WHT=WHITE

Mouser Electronics

Authorized Distributor

Click to View Pricing, Inventory, Delivery & Lifecycle Information:

[E-Switch:](#)

[PS1057A-BLK](#) [PS1057AGRN](#) [PS1057A-RED](#) [PS1057AWHT](#) [PS1057ABLK](#) [PS1057ARED](#)