

Antenna - RAD-ISM-2400-ANT-OMNI-6-0 - 2885919

Please be informed that the data shown in this PDF Document is generated from our Online Catalog. Please find the complete data in the user's documentation. Our General Terms of Use for Downloads are valid (<http://phoenixcontact.com/download>)

Omnidirectional antenna, 2.4 GHz, 6 dBi, linear vertical, opening angle h/v 360°/30°, N (female), IP55, incl. mounting bracket and mast clips for 45 mm - 100 mm diameter, stainless steel, ATEX & IECEx approval



Product Features

- For mobile applications with a longer range
- ATEX & IECEx approval



Key Commercial Data

| | |
|--------------------------------------|----------|
| Packing unit | 1 pc |
| Weight per Piece (excluding packing) | 393.6 g |
| Custom tariff number | 85177019 |
| Country of origin | Italy |

Technical data

Dimensions

| | |
|--------|--------|
| Width | 22 mm |
| Height | 250 mm |

Ambient conditions

| | |
|-----------------------------------------|------------------|
| Degree of protection | IP55 |
| Ambient temperature (operation) | -40 °C ... 75 °C |
| Ambient temperature (storage/transport) | -40 °C ... 75 °C |

General

| | |
|-----------------------|---------------------|
| With connecting cable | No |
| Frequency range | 2.4 GHz |
| | 2.4 GHz ... 2.5 GHz |

Antenna - RAD-ISM-2400-ANT-OMNI-6-0 - 2885919

Technical data

General

| | |
|----------------------|--------------------------------|
| Horizontal beamwidth | 360 ° |
| Vertical beamwidth | 30 ° |
| Polarization | Vertical |
| Impedance | 50 Ω |
| Gain | 6 dBi |
| Connection method | N (female) |
| Conformance | CE-compliant |
| ATEX | # II 1G Ex ia IIC T6 Ga |
| IECEX | Ex ia IIC T6 Ga |
| Mounting type | Mast mounting or wall mounting |

Standards and Regulations

| | |
|-----------------------|-------------------------|
| Standards/regulations | EN 60079-0 |
| | EN 60079-11 |
| | EN 60079-26 |
| Conformance | CE-compliant |
| ATEX | # II 1G Ex ia IIC T6 Ga |
| IECEX | Ex ia IIC T6 Ga |

Classifications

eCl@ss

| | |
|------------|----------|
| eCl@ss 4.0 | 27250312 |
| eCl@ss 4.1 | 27250312 |
| eCl@ss 5.0 | 19070102 |
| eCl@ss 5.1 | 19070102 |
| eCl@ss 6.0 | 19070102 |
| eCl@ss 7.0 | 19070102 |
| eCl@ss 8.0 | 19070105 |
| eCl@ss 9.0 | 19070105 |

ETIM

| | |
|----------|----------|
| ETIM 2.0 | EC000416 |
| ETIM 3.0 | EC001698 |
| ETIM 4.0 | EC001698 |
| ETIM 5.0 | EC001698 |

Antenna - RAD-ISM-2400-ANT-OMNI-6-0 - 2885919

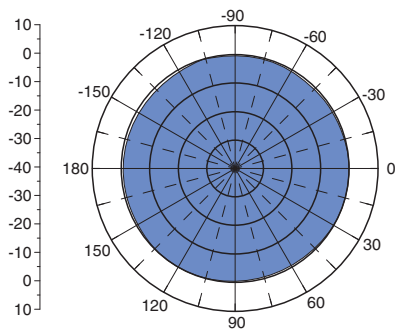
Classifications

UNSPSC

| | |
|---------------|----------|
| UNSPSC 6.01 | 43171611 |
| UNSPSC 7.0901 | 43221706 |
| UNSPSC 11 | 43171611 |
| UNSPSC 12.01 | 43221706 |
| UNSPSC 13.2 | 43221706 |

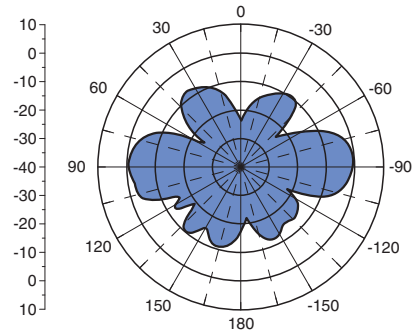
Drawings

Diagram



Horizontal

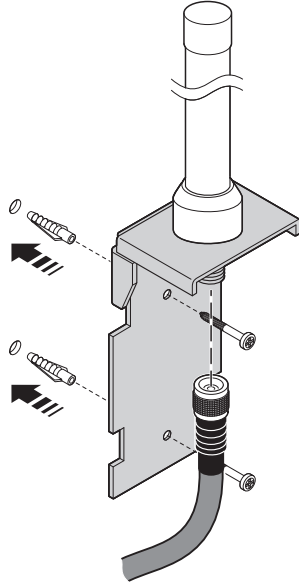
Diagram



Vertical

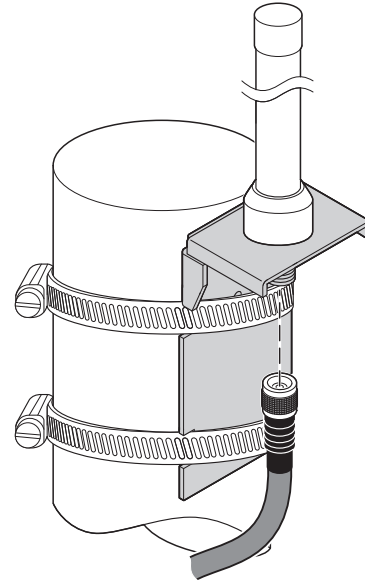
Antenna - RAD-ISM-2400-ANT-OMNI-6-0 - 2885919

Schematic diagram



Wall mounting

Schematic diagram



Mast mounting

Mouser Electronics

Authorized Distributor

Click to View Pricing, Inventory, Delivery & Lifecycle Information:

[Phoenix Contact:](#)

[2885919](#)