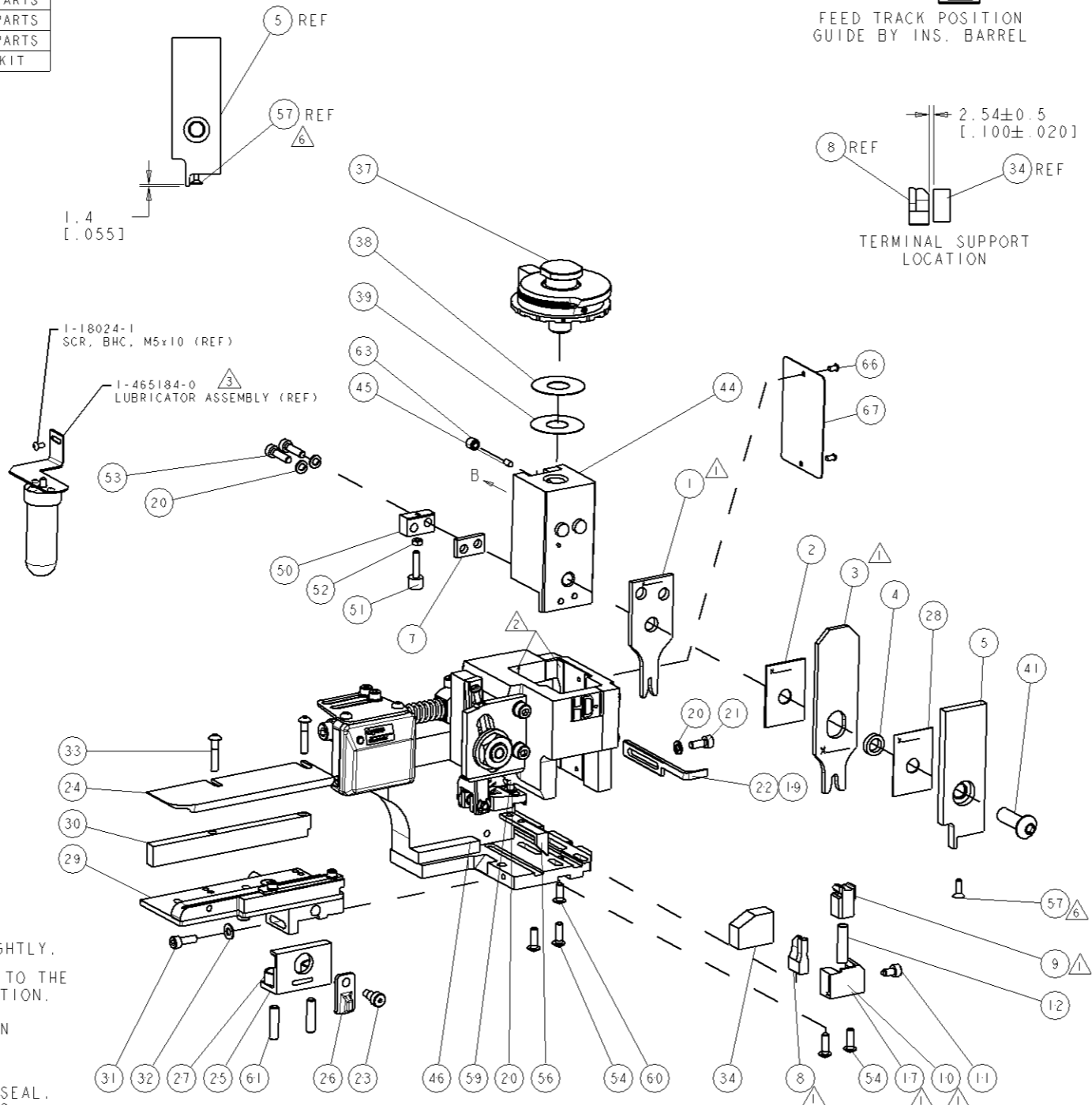


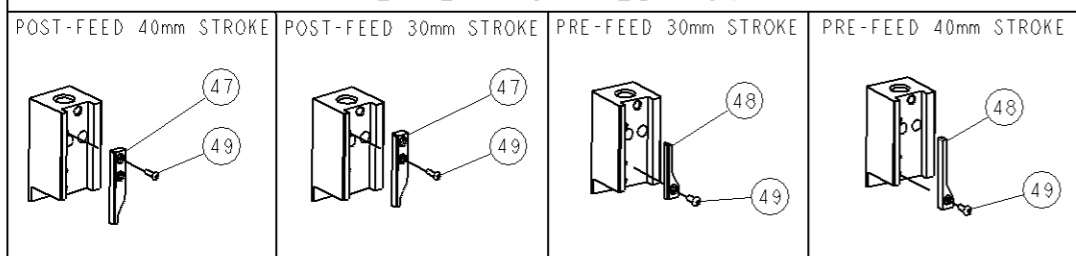
PART NUMBER	REV	TERMINATOR	FEED TYPE	DESCRIPTION
1530043-1	A	LEADMAKER	MECH POST FEED	CUTS CARRIER
1530043-2	A	BENCH	MECH PRE FEED	CUTS CARRIER
1530043-6	A	LEADMAKER	MECH POST FEED	CONTINUOUS CARRIER
7-1530043-1	A	LEADMAKER	MECH POST FEED	-1 AND SPARE PARTS
7-1530043-2	A	BENCH	MECH PRE FEED	-2 AND SPARE PARTS
7-1530043-6	A	LEADMAKER	MECH POST FEED	-6 AND SPARE PARTS
7-1530043-7	A	-	-	SPARE PARTS KIT

CRIMP DATA	LEAR TERMINAL	CUSTOMER CRIMP SPECS	
TERMINAL NAME: LEAR MDKS PLUS TERMINAL			
CRIMP	SIZE	TYPE	RANGE
WIRE	1.79 [.070 IN]	F	0.5-1.0mm ²
INSUL	4.01 [.158 IN]	0	∅ 2.00-2.70mm
WIRE STRIP LENGTH 4.35-4.73 [.171-.186 IN]		APPL INSTRUCTIONS 408-8322 & 408-8490	
TERMINAL APPL SPEC	NONE	FEED	13.49 [.531 IN]
TERMINALS APPLIED			
TE PN	1949701	SEAL	1949848
MFR PN	26628.331.179		16695.627.619
MFR PN	26402-XXX-XXX		16276.627.642
WIRE SIZE	CRIMP HEIGHT	REF SETTINGS	
1.00mm ²	1.30 ± 0.05 [.051 ± .002 IN]	C2	
0.75mm ²	1.25 ± 0.05 [.049 ± .002 IN]	C5	
0.50mm ²	1.20 ± 0.05 [.047 ± .002 IN]	C9	



*** WARNING**
ON INSTALLATION, SET WIRE STOP DISC TO LARGEST WIRE SIZE SETTING. USE OF SETTINGS BELOW MIN. REQUIRED CRIMP HEIGHT SETTING WILL CAUSE DAMAGE TO CRIMP TOOLING.

VIEW B ROTATED 180°



ITEM NO	PART NO	DESCRIPTION							
84									
83									
82									
81									
80									
79									
78									
77									
76									
75									
74									
ITEM NO	PART NO	DESCRIPTION							
-77	-76	-72	-71	-6	-2	-1	PART NO	DESCRIPTION	ITEM NO

SET UP GAGE
458637-3

REV	DESCRIPTION	DATE	BY	APPV
A	RELEASED	28JAN2008	RK	TE
A1	REVISED ECR-10-021167	14OCT2018	XZ	SX

ITEM NO	PART NO	DESCRIPTION	ITEM NO
73			
72			
71	1338705-3	DOCUMENTATION PACKAGE	
70			
69			
68			
67	461264-5	PLATE, IDENTIFICATION	
66	21017-2	SCREW, DRIVE	
65			
64			
63	3-18031-0	SCR, SET, CUP POINT M6 X 6.0	
62			
61	2-18032-5	SCR, SET, FLT POINT M5 X 20.0	
60	18024-7	SCR, BTN SKT HD CAP (M4 X 10.0)	
59	5-18022-2	SCR, HEX HD CAP M4 X 8.0	
58			
57	985575-3	SCR, FLT SKT HD CAP M3 X 10.0	
56	1338685-1	PAWL, FEED	
55			
54	18024-8	SCR, BTN SKT HD CAP (M4 X 12.0)	
53	1-18023-3	SCR, SKT HD CAP M4 X 16.0	
52	18030-1	NUT, HEX, REG M3	
51	811242-5	BUMPER, HOLD DOWN	
50	690753-2	SPACER, TONKER	
49	18024-3	SCR, BTN SKT HD CAP (M3 X 10.0)	
48	1338675-1	CAM, UNIVERSAL PRE FEED	
47	1338676-1	CAM, UNIVERSAL POST-FEED	
46	1320999-3	APPLICATOR SUBASSEMBLY, HDI	
45	690191-1	PLUG, NYLON	
44	1338660-1	RAM	
43			
42			
41	2-18024-6	SCR, BTN SKT HD CAP (M8 X 25.0)	
40			
39	690125-1	SHIM SUB-ASSY	
38	1-469367-0	SHIM	
37	879103-2	FINE ADJUST HEAD ASSEMBLY	
36			
35			
34	2-1320934-5	SUPPORT, TERMINAL	
33	1-18024-0	SCR, BTN SKT HD CAP (M4 X 20.0)	
32	18027-2	WASHER, FLAT, REG M4	
31	1-18023-2	SCR, SKT HD CAP M4 X 12.0	
30	1320908-1	SPACER, STRIP GUIDE	
29	1633073-2	STRIP GUIDE ASSEMBLY	
28	455888-5	SPACER, CRIMPER	
27	1-22284-0	SPRING, COMPRESSION	
26	356835-1	LEVER, DRAG RELEASE	
25	240792-1	DRAG, TERMINAL	
24	1320928-1	PLATE, STRIP GUIDE	
23	980371-4	SCR, SKT HD SHLDR 5.0 DIA X 6.0	
22	690472-2	STRIPPER	
21	1-18023-1	SCR, SKT HD CAP M4 X 10.0	
20	18025-2	WASHER, SPRG LOCK, REG M4	
19	690472-1	STRIPPER	
18			
17	1338684-2	SHEAR HOLDER, FRONT	
16			
15			
14			
13			
12	3-22280-3	SPRING, COMPRESSION	
11	356885-5	STOP, SHEAR	
10	1-1320921-0	SHEAR HOLDER, FRONT, CUT	
9	318707-9	FLOATING SHEAR, FRONT	
8	2-1633703-2	ANVIL, COMBINATION	
7	240641-5	SPACER	
6			
5	1338680-2	DEPRESSOR, SHEAR	
4	238011-2	BLOCK, CRIMPER SPACER	
3	1-1633589-8	CRIMPER, INSULO	
2	1-455888-0	SPACER, CRIMPER	
1	5-456404-5	CRIMPER, WIRE PREMIUM	

ITEM NO	PART NO	DESCRIPTION	ITEM NO						
84									
83									
82									
81									
80									
79									
78									
77									
76									
75									
74									
ITEM NO	PART NO	DESCRIPTION	ITEM NO						
-77	-76	-72	-71	-6	-2	-1	PART NO	DESCRIPTION	ITEM NO

DIMENSIONS: mm [IN]
 TOLERANCES UNLESS OTHERWISE SPECIFIED:
 0 PLC ±
 1 PLC ±
 2 PLC ±
 3 PLC ±
 4 PLC ±
 ANGLE ±

DATE: 17DEC2008
 DRAWN BY: R. SHEN
 CHECKED BY: M. HERR
 APPLICATOR SPEC: See Table
 WEIGHT: A1
 CUSTOMER DRAWING: A1

Tyco Electronics
 Harrisburg, PA 17105-3608
 FINE ADJUST SIDE FEED HDI APPLICATOR
 SCALE: 3:5 SHEET 1 OF 1 REV A1

Mouser Electronics

Authorized Distributor

Click to View Pricing, Inventory, Delivery & Lifecycle Information:

[TE Connectivity:](#)

[1530043-6](#)