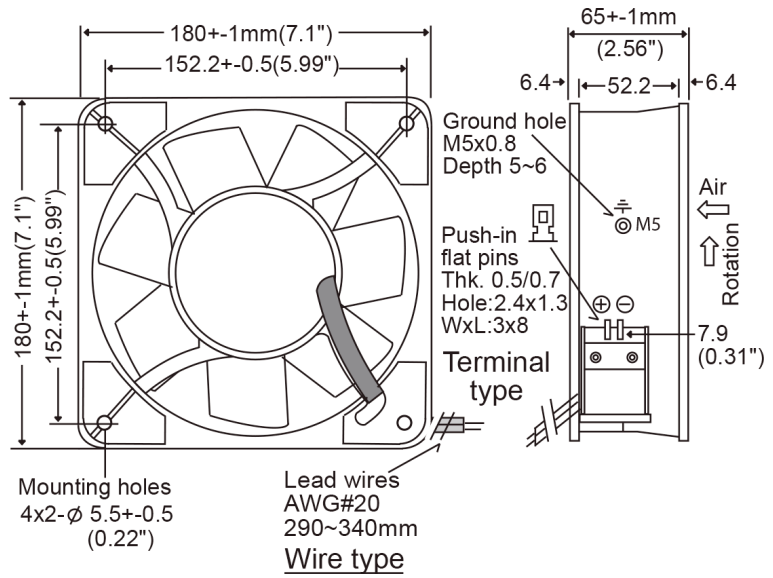


OD180APL Series



DC Fan - 12, 24, 48V
180x65mm (7.1"x 2.6")



| | | | |
|-----------------------|---|--|--|
| Frame & Impeller | Diecast Aluminum (Frame) PBT, UL94V-0 - (Impeller) | Available Options: Alarm Tachometer PWM Thermal Control Life Expectancy (L10) 60,000 hrs (40C) Weight: ~3.2 lbs m0 | |
| Connection | 2x Lead wires 20AWG or terminals | | |
| Motor | Brushless DC, auto restart, rotor lock & polarity protected | | |
| Bearing System | Dual ball bearing | | |
| Insulation Resistance | 10M ohm between leadwire and frame (500VDC) | | |
| Dielectric Strength | 1 minute at 500 VAC, max leakage < 500 MicroAmp | | |
| Temperature Range | -20C ~ +75C | | |
| Storage Temperature | -20 ~ +80C | | |

| Model Number | Speed (RPM) | Airflow (CFM) | Noise (dB) | Volts DC | Input Power (Watts) | Amps | Max. Static Pressure (\"H ₂ O) |
|----------------|-------------|---------------|------------|----------|---------------------|------|---|
| OD180APL-12H*B | 3400 | 460 | 63 | 12 | 50.4 | 4.20 | 1.10 |
| OD180APL-12M*B | 2800 | 375 | 53 | 12 | 23 | 1.90 | 0.70 |
| OD180APL-12L*B | 2200 | 300 | 46 | 12 | 13.2 | 1.10 | 0.58 |
| OD180APL-24H*B | 3500 | 470 | 65 | 24 | 50.4 | 2.10 | 1.20 |
| OD180APL-24M*B | 2800 | 375 | 53 | 24 | 24 | 0.97 | 0.70 |
| OD180APL-24L*B | 2200 | 300 | 46 | 24 | 13 | 0.52 | 0.58 |
| OD180APL-48H*B | 3500 | 470 | 65 | 48 | 49.4 | 1.03 | 1.20 |
| OD180APL-48M*B | 2800 | 375 | 53 | 48 | 23.5 | 0.48 | 0.70 |
| OD180APL-48L*B | 2200 | 300 | 46 | 48 | 14.5 | 0.30 | 0.58 |

* Insert letter "T" to indicate terminal=type.

Mouser Electronics

Authorized Distributor

Click to View Pricing, Inventory, Delivery & Lifecycle Information:

Orion Fans:

[OD180APL-48MWB](#) [OD180APL-24HB](#) [OD180APL-24MB](#) [OD180APL-48MB](#) [OD180APL-48HB](#) [OD180APL-12HB](#)
[OD180APL-12LB](#) [OD180APL-12MB](#) [OD180APL-24LB](#) [OD180APL-48LB](#)