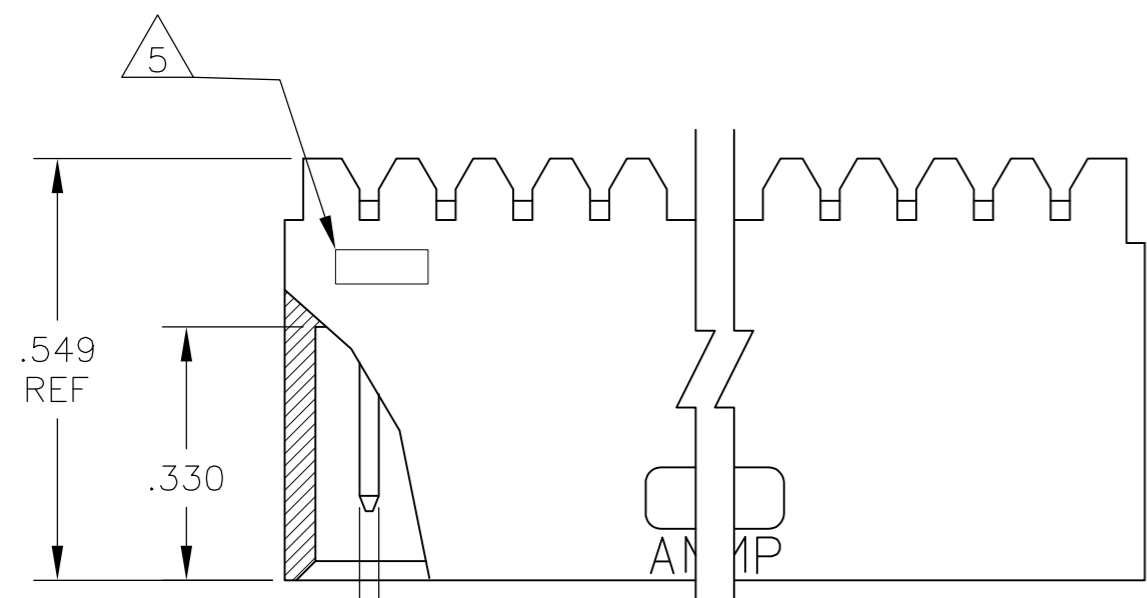
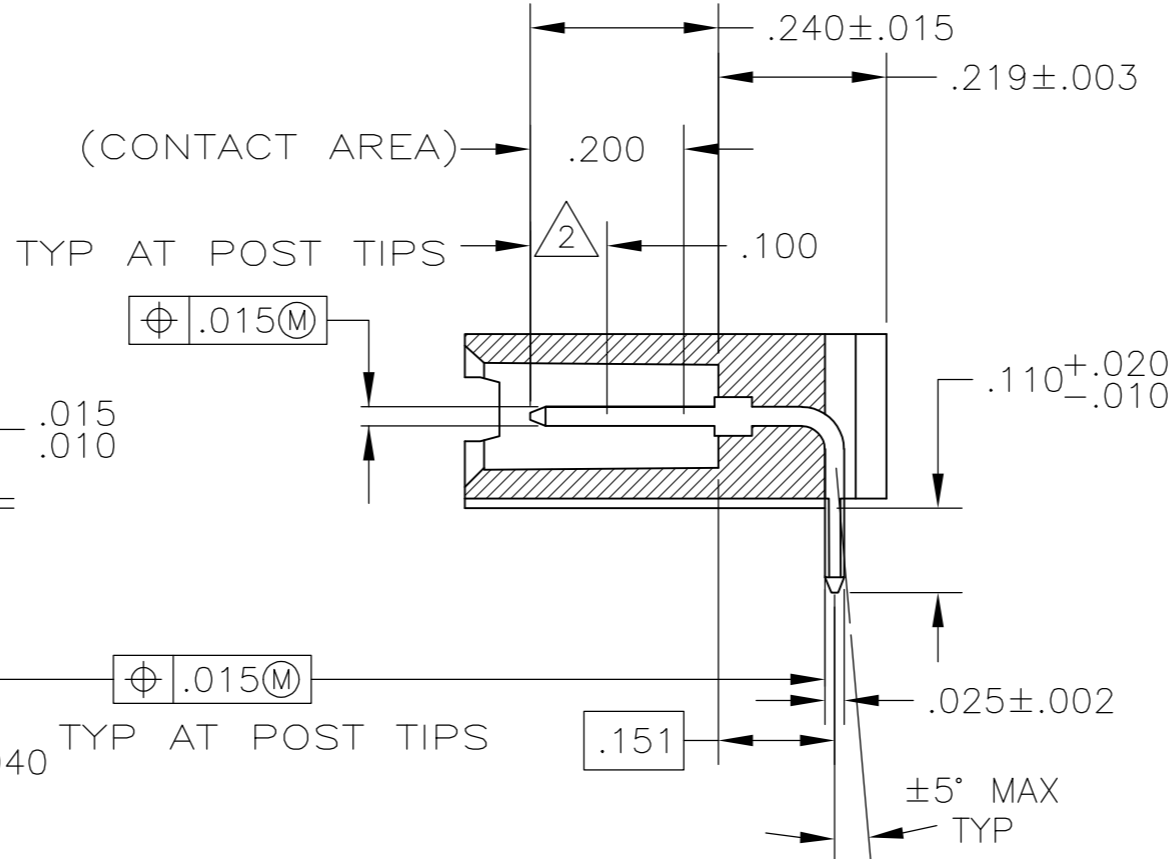
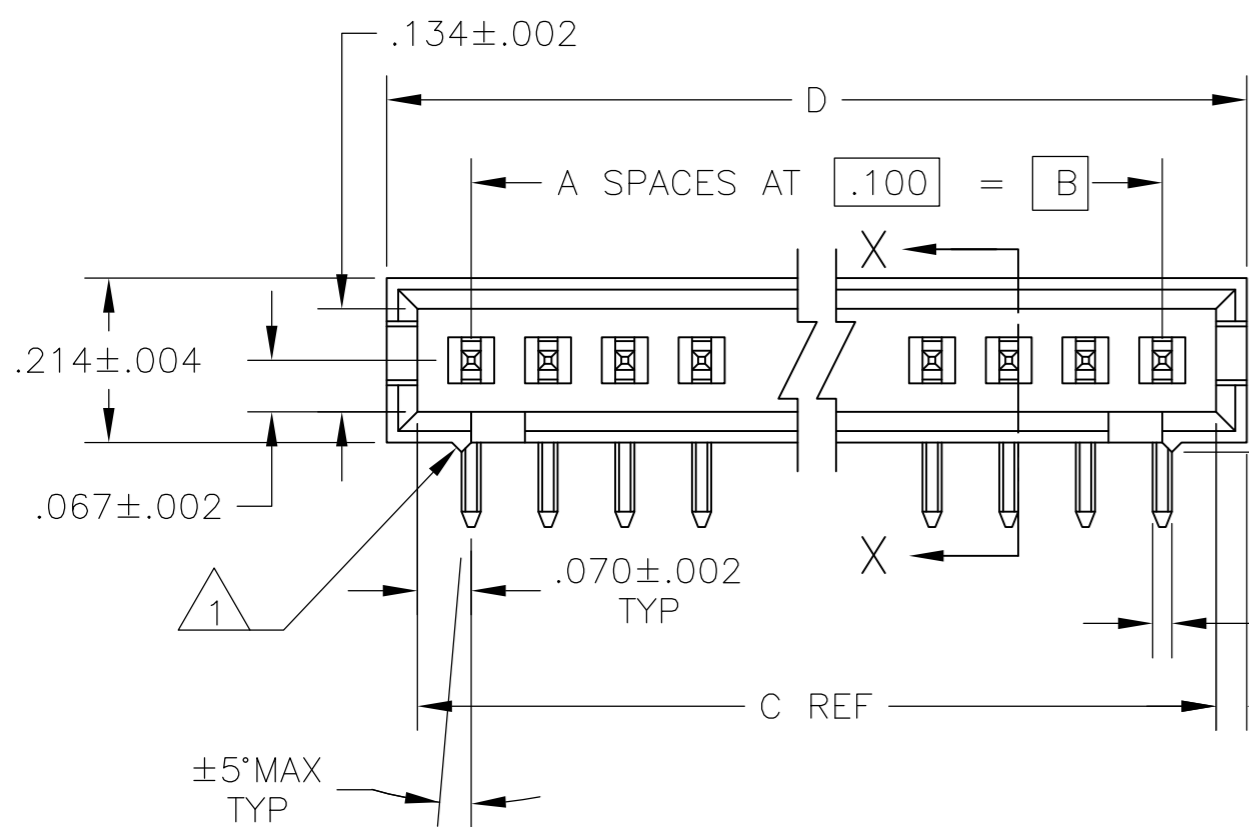


THIS DRAWING IS UNPUBLISHED. RELEASED FOR PUBLICATION
 © COPYRIGHT - By - ALL RIGHTS RESERVED.

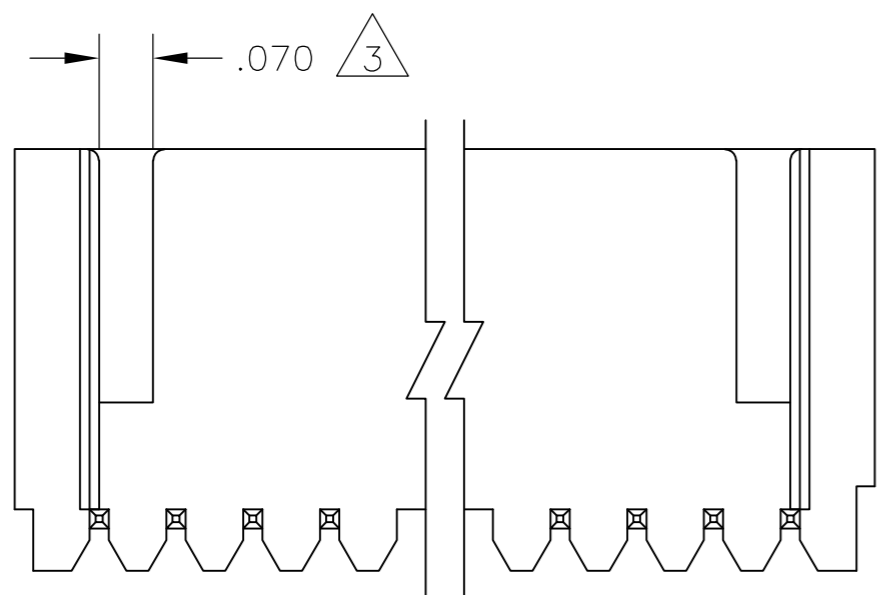
| LOC | | DIST | | REVISIONS | | | |
|-----|-----|-------------|---------------------------|-----------|------|----|--|
| P | LTR | DESCRIPTION | DATE | DWN | APVD | | |
| AD | 00 | W | REVISED PER ECO-12-008030 | 31JUL12 | KH | MM | |



$.025 \pm .001$ TYP
 $\phi .015 \text{ (M)}$ TYP AT POST TIPS



SECTION X-X



$B \pm .003$
 $.100 \pm .003$ TYP TOLERANCE NON-CUMULATIVE

$\phi .035 \pm .003$ TYP

RECOMMENDED HOLE LAYOUT FOR MANUAL INSERTION

- 1 STANDOFFS: UP TO 9 POS-(2 REQD) ON THE OUTSIDE ENDS OF THE HOUSING 10 TO 19 POS-(3 REQD) TWO ON THE OUTSIDE ENDS AND ONE CENTERED ON THE HOUSING. 19 POS AND LARGER-(4 REQD) TWO ON THE OUTSIDE ENDS AND TWO SPACED EVENLY WITHIN THE REMAINING LENGTH OF THE HOUSING.
- 2 POINT OF MEASUREMENT FOR PLATING THICKNESS.
- 3 FOR 3 POS (3--4 & 3--9 ONLY) ONE SLOT, .215 WIDE.
- 4 INDICATED PARTS ARE PACKAGED IN "GANG-OF-TUBES".
- 5 RECESSED DATE CODE
- 6 INDICATED PARTS ARE PACKAGED IN "SINGLE TUBES".
- 7 .000015 GOLD ON THE CONTACT AREA, .000100-.000200 MATTE TIN-LEAD ON THE SOLDER TAIL, ALL OVER .000050 NICKEL.
- 8 .000015 GOLD ON THE CONTACT AREA, .000100-.000200 MATTE TIN ON THE SOLDER TAIL, ALL OVER .000050 NICKEL.
- 9 PRELIMINARY PART
- 10 OBSOLETE PARTS: OBSOLETE CIS STREAMLINING PER D.RENAUD/D.SINISI

| | | | | | | |
|--|--------|---|---------|---|-----------------|------------|
| THIS DRAWING IS A CONTROLLED DOCUMENT. | | DWN | 11JUN85 | | TE Connectivity | |
| DIMENSIONS: INCHES | | CHK | 11JUN85 | | NAME | |
| TOLERANCES UNLESS OTHERWISE SPECIFIED: | | APVD | - | ASSEMBLY, MOD II, HEADER, SINGLE ROW .100 C/L, RIGHT ANGLE, WITH .025 SQ POST | | |
| 0 PLC | ± - | PRODUCT SPEC | - | SIZE | CAGE CODE | DRAWING NO |
| 1 PLC | ± - | APPLICATION SPEC | - | A2 | 00779 | C=102203 |
| 2 PLC | ± - | WEIGHT | - | SCALE | SHEET | REV |
| 3 PLC | ± .005 | CUSTOMER DRAWING | - | 4:1 | 1 of 2 | W |
| 4 PLC | ± - | MATERIAL: RETARDANT THERMOPLASTIC, COLOR-BLACK, POSTS-PHOS BRONZE | | RESTRICTED TO | | |
| ANGLES | ± - | FINISH: SEE TABLE | | - | | |


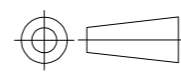
THIS DRAWING IS UNPUBLISHED. RELEASED FOR PUBLICATION
 © COPYRIGHT - By - ALL RIGHTS RESERVED.

| LOC | | DIST | | REVISIONS | | | | |
|-----|-----|-------------|--|-----------|------|-----|------|--|
| P | LTR | DESCRIPTION | | | DATE | DWN | APVD | |
| | | SEE SHEET 1 | | | | | | |

| | | | | | | | |
|--------------------------|----|-------|-------|-------|----|-------|------------|
| △9 | △8 | 1.720 | 1.640 | 1.500 | 15 | 16 | 4-102203-0 |
| SUPERSEDED BY 8-102203-4 | △8 | .420 | .340 | .200 | 2 | △3 3 | 3-102203-9 |
| △9 | △8 | 1.020 | .940 | .800 | 8 | 9 | 3-102203-8 |
| SUPERSEDED BY 5-102203-1 | △8 | .520 | .440 | .300 | 3 | 4 | 3-102203-7 |
| △6 △10 | △7 | .820 | .740 | .600 | 6 | 7 | 3-102203-6 |
| SUPERSEDED BY 103361-8 | △7 | 1.120 | 1.040 | .900 | 9 | △4 10 | 3-102203-5 |
| | △7 | .420 | .340 | .200 | 2 | △3 3 | 3-102203-4 |

| | | | | | | | |
|---------|-------|-------|-------|----|-----------|----------------------|--------------|
| △8 | .820 | .740 | .600 | 6 | 7 | 8-102203-6 | OBSOLETE |
| △8 | .420 | .340 | .200 | 2 | △3 3 | 8-102203-4 | |
| △8 | 2.620 | 2.540 | 2.400 | 24 | 25 | 7-102203-2 | OBSOLETE △10 |
| △8 | 2.520 | 2.440 | 2.300 | 23 | 24 | 7-102203-1 | OBSOLETE △10 |
| △8 | 2.420 | 2.340 | 2.200 | 22 | 23 | 7-102203-0 | OBSOLETE △10 |
| △8 | 2.320 | 2.240 | 2.100 | 21 | 22 | 6-102203-9 | |
| △8 | 2.220 | 2.140 | 2.000 | 20 | 21 | 6-102203-8 | OBSOLETE △10 |
| △8 | 2.120 | 2.040 | 1.900 | 19 | 20 | 6-102203-7 | |
| △8 | 2.020 | 1.940 | 1.800 | 18 | 19 | 6-102203-6 | OBSOLETE △10 |
| △8 | 1.920 | 1.840 | 1.700 | 17 | 18 | 6-102203-5 | |
| △8 | 1.820 | 1.740 | 1.600 | 16 | 17 | 6-102203-4 | OBSOLETE △10 |
| △8 | 1.720 | 1.640 | 1.500 | 15 | 16 | 6-102203-3 | |
| △8 | 1.620 | 1.540 | 1.400 | 14 | 15 | 6-102203-2 | |
| △8 | 1.520 | 1.440 | 1.300 | 13 | 14 | 6-102203-1 | |
| △8 | 1.420 | 1.340 | 1.200 | 12 | 13 | 6-102203-0 | |
| △8 | 1.320 | 1.240 | 1.100 | 11 | 12 | 5-102203-9 | |
| △8 | 1.220 | 1.140 | 1.000 | 10 | 11 | 5-102203-8 | |
| △8 | 1.120 | 1.040 | .900 | 9 | 10 | 5-102203-7 | |
| △8 | 1.020 | .940 | .800 | 8 | 9 | 5-102203-6 | OBSOLETE △10 |
| △8 | .920 | .840 | .700 | 7 | 8 | 5-102203-5 | |
| △8 | .820 | .740 | .600 | 6 | 7 | 5-102203-4 | |
| △8 | .720 | .640 | .500 | 5 | 6 | 5-102203-3 | |
| △8 | .620 | .540 | .400 | 4 | 5 | 5-102203-2 | |
| △8 | .520 | .440 | .300 | 3 | 4 | 5-102203-1 | |
| PLATING | D | C | B | A | NO OF POS | ASSEMBLY PART NUMBER | |

| | | | | | | | |
|----------|----|-------|-------|-------|----|-----------|----------------------|
| | △7 | 3.720 | 3.640 | 3.500 | 35 | 36 | 3-102203-3 |
| OBSOLETE | △7 | 3.620 | 3.540 | 3.400 | 34 | 35 | 3-102203-2 |
| OBSOLETE | △7 | 3.520 | 3.440 | 3.300 | 33 | 34 | 3-102203-1 |
| OBSOLETE | △7 | 3.420 | 3.340 | 3.200 | 32 | 33 | 3-102203-0 |
| OBSOLETE | △7 | 3.320 | 3.240 | 3.100 | 31 | 32 | 2-102203-9 |
| OBSOLETE | △7 | 3.220 | 3.140 | 3.000 | 30 | 31 | 2-102203-8 |
| OBSOLETE | △7 | 3.120 | 3.040 | 2.900 | 29 | 30 | 2-102203-7 |
| OBSOLETE | △7 | 3.020 | 2.940 | 2.800 | 28 | 29 | 2-102203-6 |
| OBSOLETE | △7 | 2.920 | 2.840 | 2.700 | 27 | 28 | 2-102203-5 |
| OBSOLETE | △7 | 2.820 | 2.740 | 2.600 | 26 | 27 | 2-102203-4 |
| OBSOLETE | △7 | 2.720 | 2.640 | 2.500 | 25 | 26 | 2-102203-3 |
| △10 | △7 | 2.620 | 2.540 | 2.400 | 24 | 25 | 2-102203-2 |
| | △7 | 2.520 | 2.440 | 2.300 | 23 | 24 | 2-102203-1 |
| △10 | △7 | 2.420 | 2.340 | 2.200 | 22 | 23 | 2-102203-0 |
| | △7 | 2.320 | 2.240 | 2.100 | 21 | 22 | 1-102203-9 |
| △10 | △7 | 2.220 | 2.140 | 2.000 | 20 | 21 | 1-102203-8 |
| | △7 | 2.120 | 2.040 | 1.900 | 19 | 20 | 1-102203-7 |
| △10 | △7 | 2.020 | 1.940 | 1.800 | 18 | 19 | 1-102203-6 |
| | △7 | 1.920 | 1.840 | 1.700 | 17 | 18 | 1-102203-5 |
| △10 | △7 | 1.820 | 1.740 | 1.600 | 16 | 17 | 1-102203-4 |
| | △7 | 1.720 | 1.640 | 1.500 | 15 | 16 | 1-102203-3 |
| | △7 | 1.620 | 1.540 | 1.400 | 14 | 15 | 1-102203-2 |
| | △7 | 1.520 | 1.440 | 1.300 | 13 | 14 | 1-102203-1 |
| | △7 | 1.420 | 1.340 | 1.200 | 12 | 13 | 1-102203-0 |
| | △7 | 1.320 | 1.240 | 1.100 | 11 | 12 | 102203-9 |
| | △7 | 1.220 | 1.140 | 1.000 | 10 | 11 | 102203-8 |
| | △7 | 1.120 | 1.040 | .900 | 9 | 10 | 102203-7 |
| | △7 | 1.020 | .940 | .800 | 8 | 9 | 102203-6 |
| | △7 | .920 | .840 | .700 | 7 | 8 | 102203-5 |
| | △7 | .820 | .740 | .600 | 6 | 7 | 102203-4 |
| | △7 | .720 | .640 | .500 | 5 | 6 | 102203-3 |
| | △7 | .620 | .540 | .400 | 4 | 5 | 102203-2 |
| | △7 | .520 | .440 | .300 | 3 | 4 | 102203-1 |
| FINISH | | D | C | B | A | NO OF POS | ASSEMBLY PART NUMBER |

| | | | | |
|---|--|----------------------------|---|--------------------|
| THIS DRAWING IS A CONTROLLED DOCUMENT. | | DWN D.RINGLY 11JUN85 |  TE Connectivity | |
| DIMENSIONS: INCHES | | CHK D.DUPLER 11JUN85 | | |
|  | | APVD - | NAME | |
| TOLERANCES UNLESS OTHERWISE SPECIFIED: | | PRODUCT SPEC - | ASSEMBLY, MOD II, HEADER, SINGLE ROW .100 C/L, RIGHT ANGLE, WITH .025 SQ POST | |
| 0 PLC ± - 1 PLC ± - 2 PLC ± - 3 PLC ± .005 4 PLC ± - ANGLES ± - | | APPLICATION SPEC - | SIZE A2 | CAGE CODE 00779 |
| MATERIAL | | WEIGHT - | DRAWING NO C=102203 | RESTRICTED TO - |
| SEE TABLE | | CUSTOMER DRAWING | SCALE 1:1 | SHEET 2 of 2 |

Mouser Electronics

Authorized Distributor

Click to View Pricing, Inventory, Delivery & Lifecycle Information:

[TE Connectivity:](#)

[102203-1](#)