

# Tip Jack

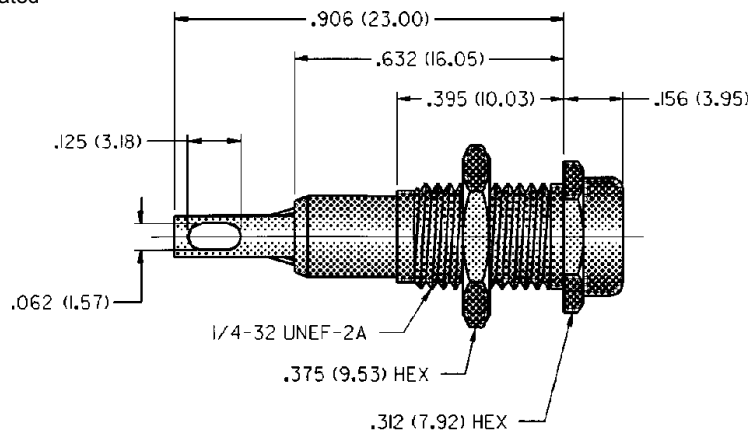
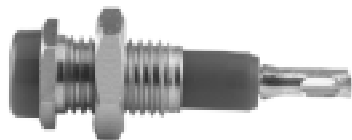
## Insulated Metal Clad: Standard Type

### SPECIFICATIONS

**Contact:** Phosphor bronze per QQ-B-750  
**Finish:** Silver  
**Body:** Nylon 6/6 per ASTM D4066  
**Threaded Brass Jacket:** Per QQ-B-626D, nickel plated  
**Panel Thickness:** Up to .281 (7.10)

### RATINGS

**Current:** 10 amps  
**Breakdown Voltage:** 5700 Vrms minimum  
**Contact Resistance:** 0.010 ohms maximum  
**Contact-To-Panel C:** 2 pF nominal



SILVER PLATING	
105-0252-001	Red

For Standard Tip Plug: .080 (2.00) Diameter

### FEATURES:

- Formed contact with slotted terminal
- Nylon UL approved for self extinguishing

# Mouser Electronics

Authorized Distributor

Click to View Pricing, Inventory, Delivery & Lifecycle Information:

[Cinch Connectivity Solutions:](#)

[105-0252-001](#)