

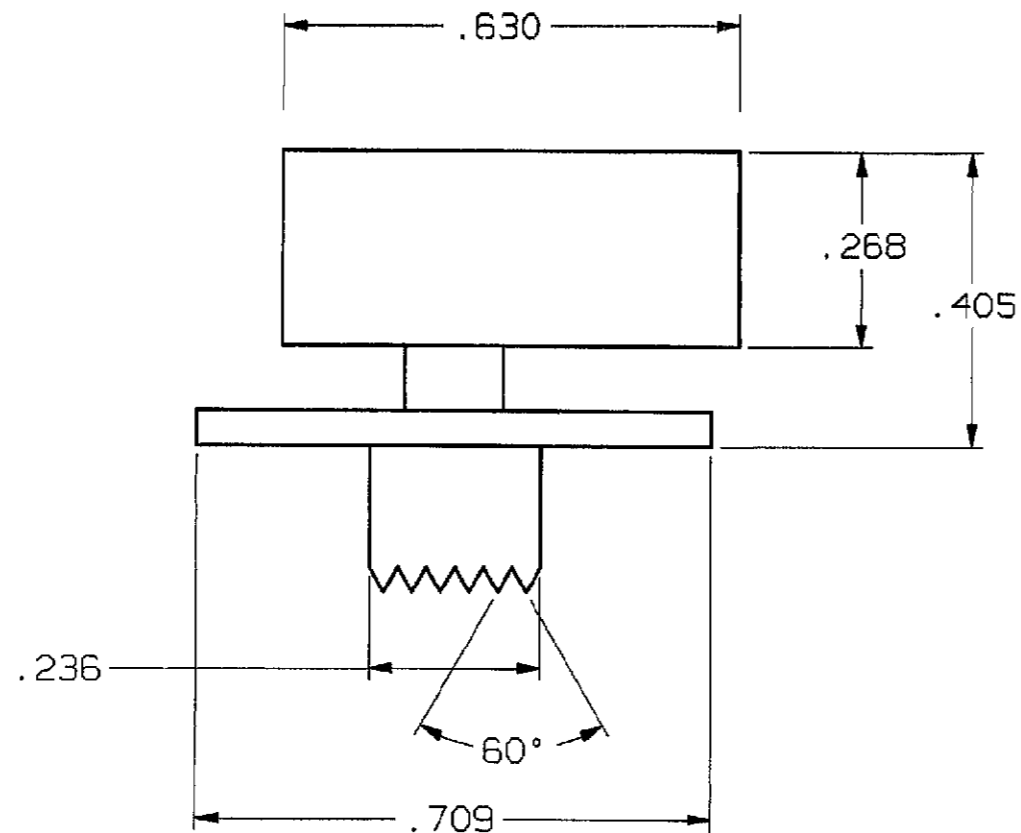
4

3

2

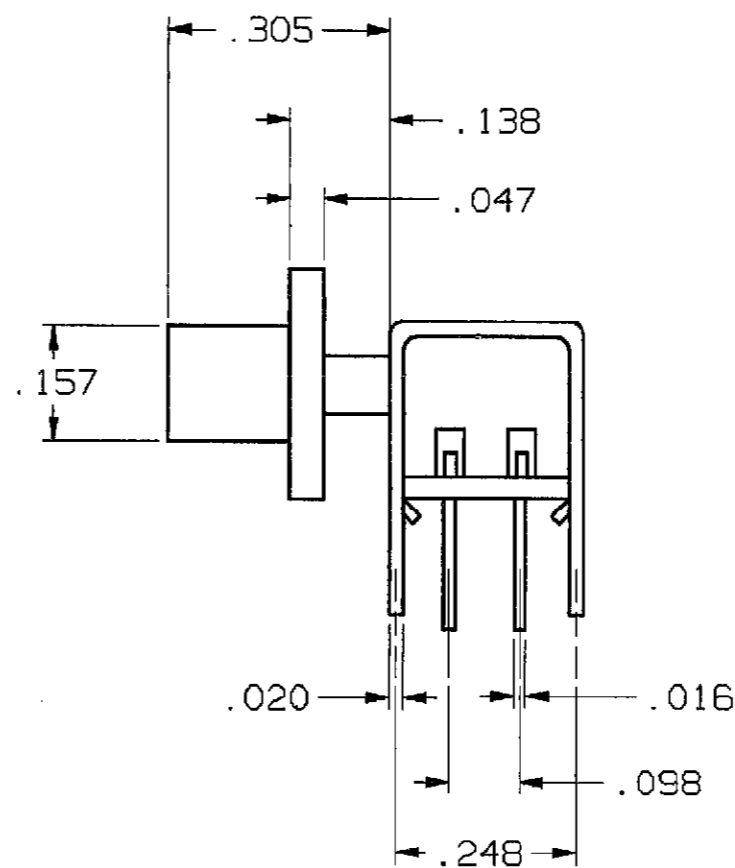
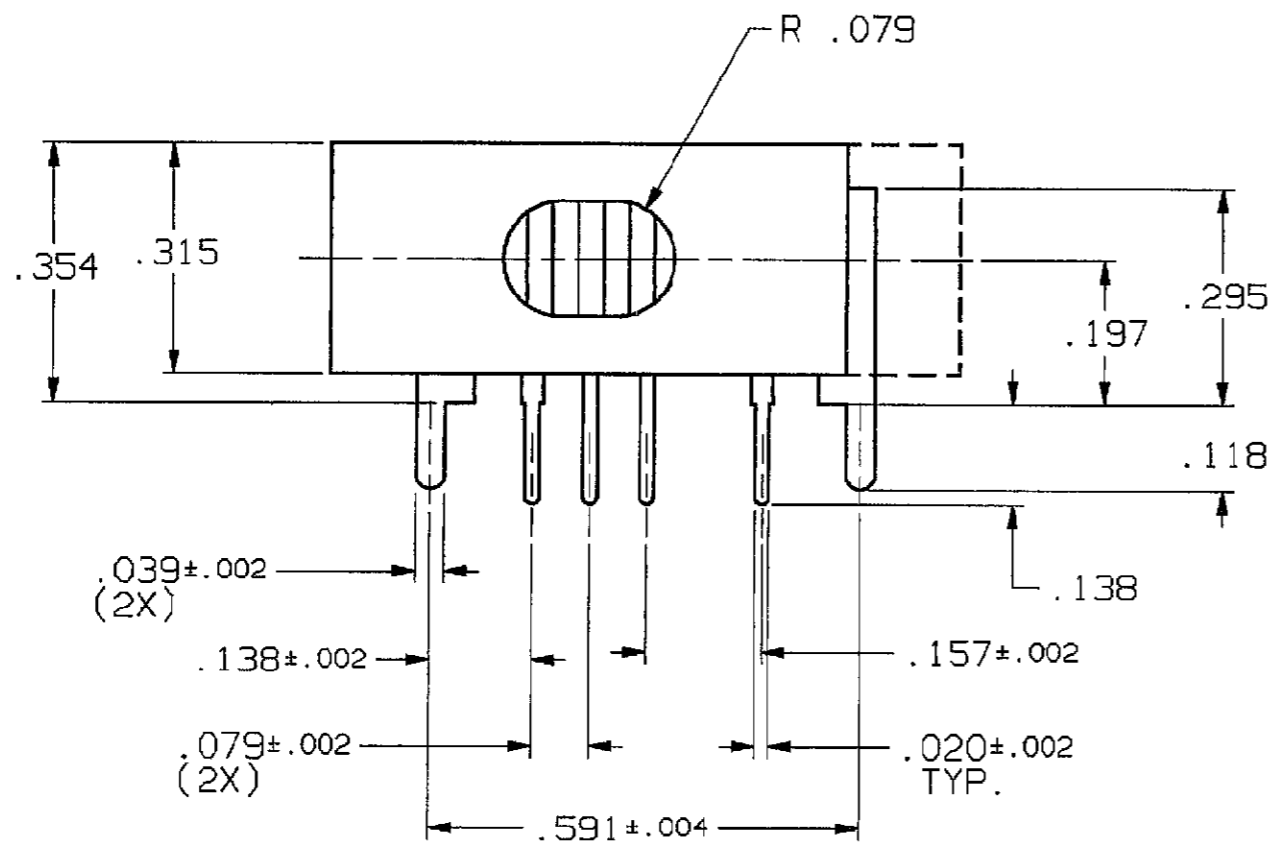
1

CONVERSION CHART		CONVERSION CHART	
INCH	MM	INCH	MM
.002	0.05	.630	16.00
.004	0.10	.709	18.00
.008	0.20		
.016	0.40		
.020	0.50		
.035	0.90		
.039	1.00		
.047	1.20		
.055	1.40		
.079	2.00		
.098	2.50		
.118	3.00		
.138	3.50		
.157	4.00		
.197	5.00		
.236	6.00		
.248	6.30		
.295	7.50		
.305	7.75		
.315	8.00		
.354	9.00		
.405	10.30		
.590	15.00		
.591	15.00		

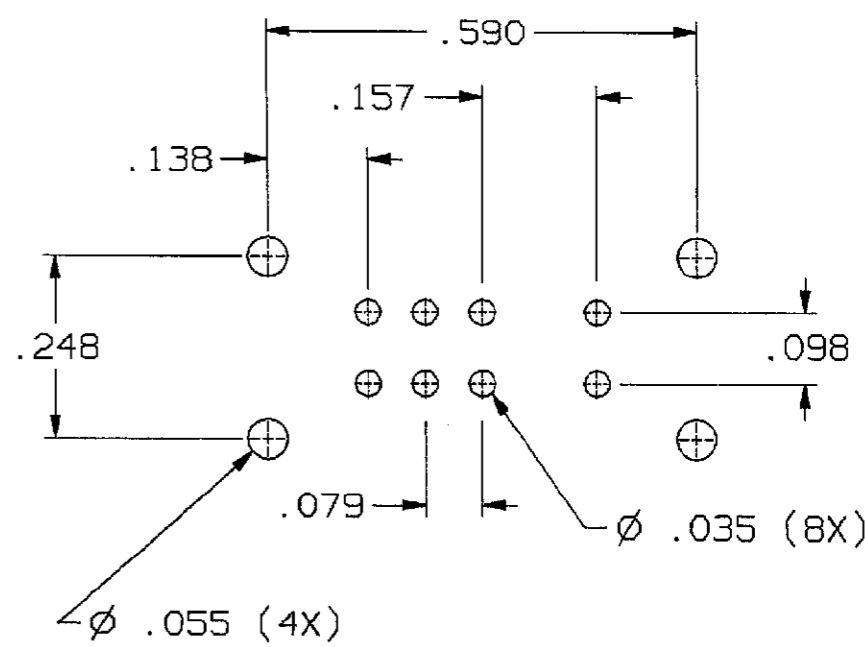


SPECIFICATIONS: UNLESS OTHERWISE SPECIFIED

- CONTACT RATING: 0.3 A @ 125 VAC.
- INITIAL CONTACT RESISTANCE: 20 MILLIOHMS MAX.
- INSULATION RESISTANCE: 100 MEGOHMS MIN. @ 500 VDC.
- DIELECTRIC STRENGTH: 500 VAC.
- MECHANICAL LIFE: 10,000 CYCLES MIN.
- OPERATING & STORAGE TEMPERATURE: -10°C TO +60°C.
- MATERIAL:
 - FIXED CONTACT-BRASS, 1 MICRON SILVER PLATE OVER NICKEL (AVG.).
 - FRAME-STEEL, TIN PLATED.
 - MOVABLE CONTACT-PHOSPHOR BRONZE, 0.5 MICRON SILVER CLAD.
 - TERMINAL BOARD-BAKELITE.
- ACTUATOR TRAVEL SHALL BE .079" PER POSITION.

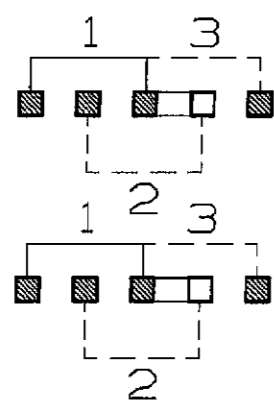


SDS2340RA0	BLACK
SDS2340RA8	GRAY
PT NUMBER	COLOR

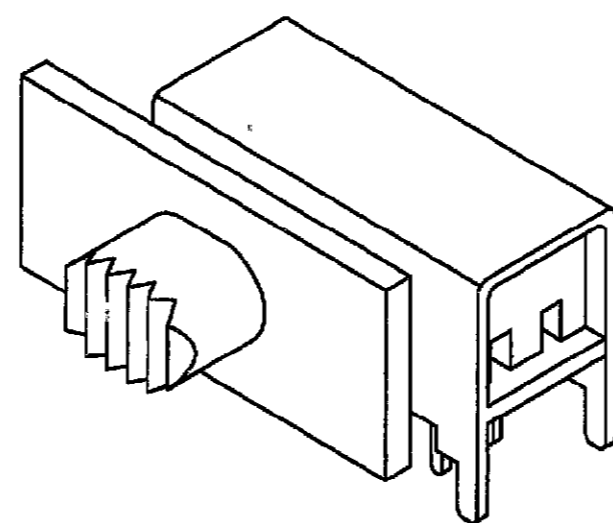


P.C.B HOLE LAYOUT

TOLERANCE FOR P.C.B. HOLE LAYOUT ±.002



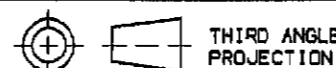
SCHEMATIC



THIS IS A C.A.D. GENERATED DRAWING. DO NOT MAKE MANUAL REVISIONS TO MASTER.



REV	A	B	3	4
REVISIONS	INITIAL RELEASE ESR# 3223 TH 8-23-89 APP'D: JRB 8-24-89	REVISED ECM# 3620 CMM 2-23-90 APP'D: JRB 2-23-90	REVISED & REDRAWN ECM# 399-94 SEK 6-24-94 APP'D: M.P. 6-28-94	REVISED ECM# 717-94 L.S. 9-9-94 APP'D: MALL 9-9-94



TOLERANCES (EXCEPT AS NOTED)
 ANGULAR = ±1°
 DECIMAL .XX = ±.005
 DECIMAL .XXX = ±.008
 DECIMAL .XXXX = ±.010

AUGAT CONFIDENTIAL
 This document contains information which is the exclusive property of Augat Inc.
 Distribution, reproduction or use by others is not permitted without the expressed written consent of Augat Inc.

UNLESS OTHERWISE SPECIFIED DIMENSIONS ARE IN INCHES DO NOT SCALE PRINT

FILE NAME: 80918 DIRECTORY: SLD5WCH

MATERIAL: SEE NOTE 7

FINISH: SEE NOTE 7

ORIGINAL DATE OF DRAWING: 8/89

DRAWN: ER DATE: 8/89

CHECKED: TH DATE: 2/5/90

APPROVED: JRB DATE: 2/5/90

CODE IDENT. NO. 91508 DWG. SIZE C

NEXT ASSY:



452 JOHN DIETSCH BLVD. ATTLEBORO FALLS, MASS. 02763

TITLE: OUTLINE SDS2340RA* SLIDE SWITCH

DWG. NO. 80918

PRODUCT CODE: C16

SCALE: 4:1 SHEET 1 OF 1

REV. 4

CAD08092C

4

3

2

1

Mouser Electronics

Authorized Distributor

Click to View Pricing, Inventory, Delivery & Lifecycle Information:

[TE Connectivity:](#)

[SDS2340RA0](#)