

GT Series Sealed Ultraminiature Toggle Switches

Features/Benefits

- Sealed against solder and cleaning process contaminants
- Ultraminiature size, smallest footprint available
- Thru-hole and surface mount models
- High temperature materials (UL 94V-0)
- RoHS compliant and compatible

Typical Applications

- Hand-held telecommunications
- Small instrumentation



Specifications

CONTACT RATING: 0.4 VA max. @ 20 V AC or DC max.
 MECHANICAL & ELECTRICAL LIFE: 40,000 make-and-break cycles at full load.
 CONTACT RESISTANCE: Below 50 m Ω typ. initial @ 2-4 V DC, 100 mA.
 INSULATION RESISTANCE: 10⁹ Ω min.
 DIELECTRIC STRENGTH: 500 Vrms min. @ sea level.
 OPERATING TEMPERATURE: -30°C to 85°C.
 SOLDERABILITY: Per MIL-STD-202F method 208D, or EIA RS-186E method 9 (1 hour steam aging).
 PACKAGING: Surface mount switches shipped in anti-static tape and reel packaging per EIA 481-3, see page F-47 for drawings and reel information. Tape and cover strip are conductive for use near statically sensitive components, consult Customer Service Center.

Materials

HOUSING AND BASE: Glass filled nylon 4/6, flame retardant, heat stabilized (UL 94V-0).
 ACTUATOR: Glass filled nylon 4/6, flame retardant, heat stabilized (UL 94V-0), with standard internal o-ring seal.
 SWITCH SUPPORT: Brass, tin plated.
 MOVABLE CONTACTS: Copper alloy, with gold plate over nickel plate.
 STATIONARY CONTACTS: Copper alloy, with gold plate over nickel plate.
 TERMINALS: Gold.
 TERMINAL SEAL: Epoxy. All terminals insert molded.

NOTE: Specifications and materials listed above are for switches with standard options. For information on specific and custom switches, consult Customer Service Center.

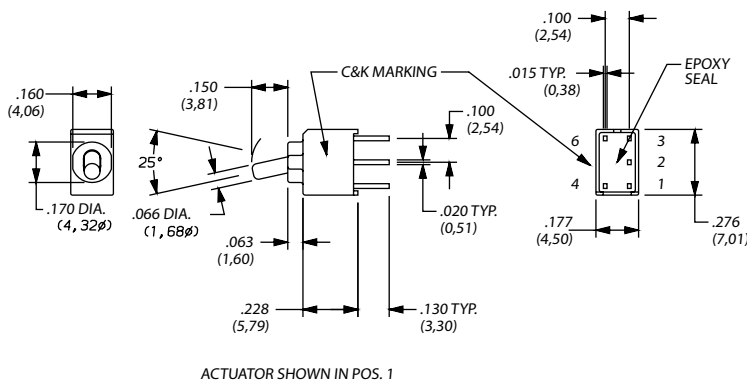
How To Order

Complete part numbers for GT Series Sealed Ultraminiature Toggle Switches are shown on pages F-43 thru F-47.

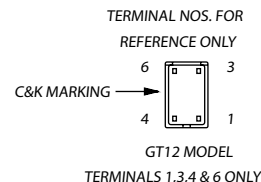
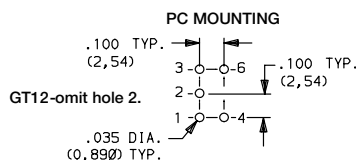


GT11MCBE
SPDT

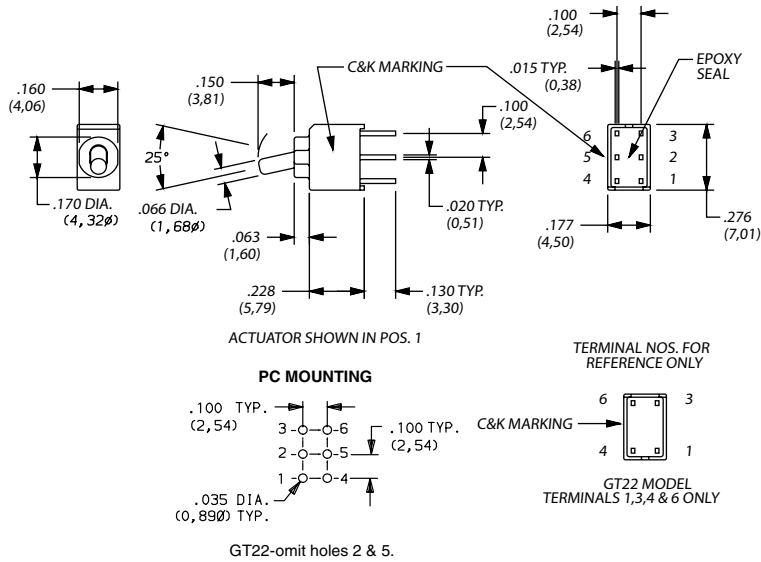
| PART NUMBER | SWITCH FUNCTION | | |
|-----------------|----------------------------------|--------|--------|
| | POS.1 | POS. 2 | POS. 3 |
| GT11MCBE | ON | NONE | ON |
| GT13MCBE | ON | OFF | ON |
| Conn. Terms. | 2-3 | OPEN | 2-1 |
| Schematic | | | |
| SPDT | Note: Pins 4 and 6 not connected | | |
| GT12MCBE | OFF | NONE | ON |
| Conn. Terms. | OPEN | N/A | 3-1 |
| Schematic | | | |
| SPST | Note: Pins 4 and 6 not connected | | |



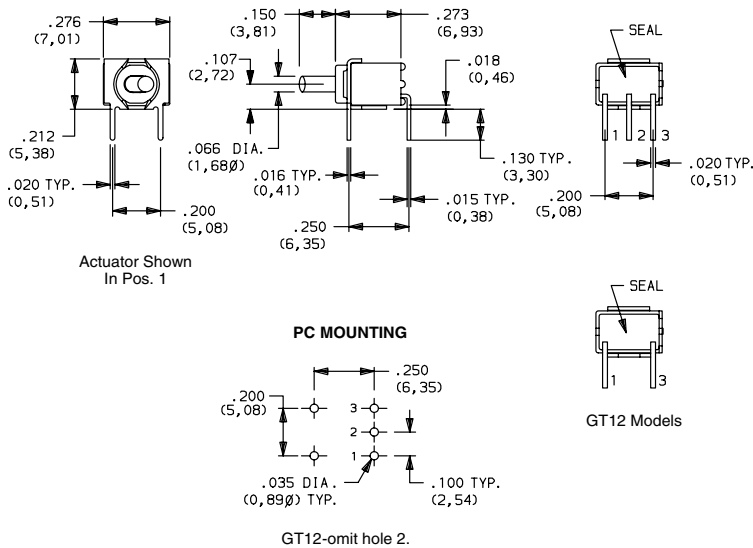
ACTUATOR SHOWN IN POS. 1



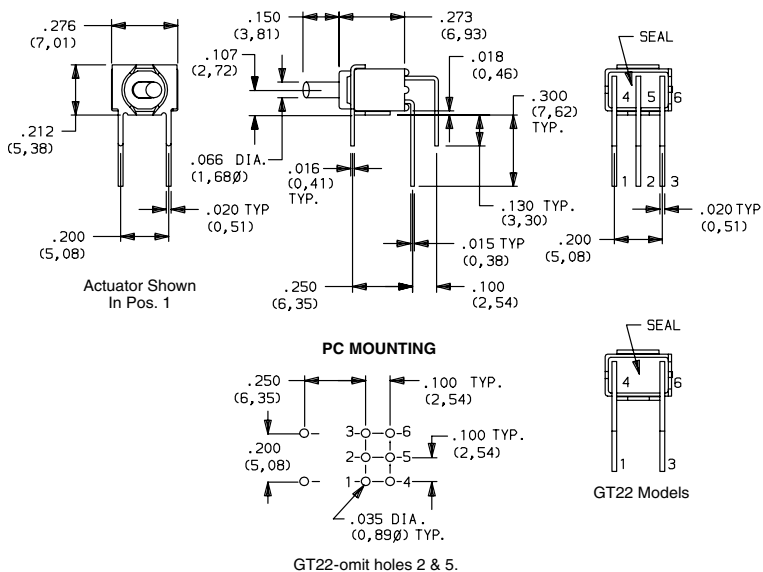
GT Series Sealed Ultraminiature Toggle Switches



| PART NUMBER | SWITCH FUNCTION | | |
|------------------------------------|-----------------|--------|----------|
| | POS. 1 | POS. 2 | POS. 3 |
| GT21MCBE GT23MCBE | ON | NONE | ON |
| Conn. Terms. | 2-3, 5-6 | OPEN | 2-1, 5-4 |
| Schematic | | | |
| DPDT | | | |
| GT22MCBE | OFF | NONE | ON |
| Conn. Terms. | OPEN | N/A | 3-1 |
| Schematic | | | |
| DPST | | | |



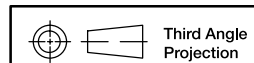
| PART NUMBER | SWITCH FUNCTION | | |
|------------------------------------|-----------------|--------|--------|
| | POS. 1 | POS. 2 | POS. 3 |
| GT11MABE GT13MABE | ON | NONE | ON |
| Conn. Terms. | 2-3 | OPEN | 2-1 |
| Schematic | | | |
| SPDT | | | |
| GT12MABE | OFF | NONE | ON |
| Conn. Terms. | OPEN | N/A | 3-1 |
| Schematic | | | |
| SPST | | | |



| PART NUMBER | SWITCH FUNCTION | | |
|------------------------------------|-----------------|--------|----------|
| | POS. 1 | POS. 2 | POS. 3 |
| GT21MABE GT23MABE | ON | NONE | ON |
| Conn. Terms. | 2-3, 5-6 | OPEN | 2-1, 5-4 |
| Schematic | | | |
| DPDT | | | |
| GT22MABE | OFF | NONE | ON |
| Conn. Terms. | OPEN | N/A | 3-1, 6-4 |
| Schematic | | | |
| DPST | | | |



Toggle

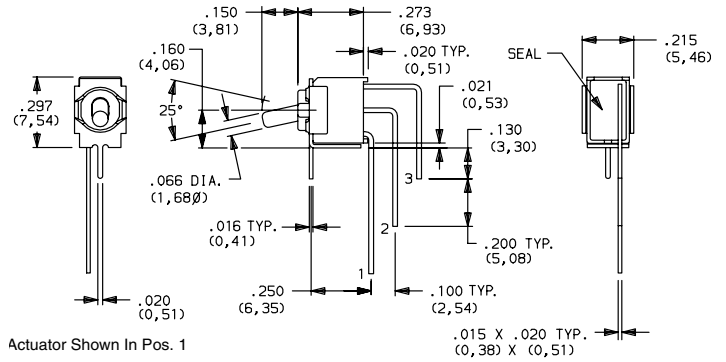


GT Series Sealed Ultraminiature Toggle Switches



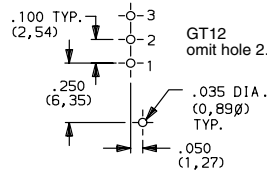
GT11MAVBE
Vertical
Actuation
SPDT

| PART NUMBER | SWITCH FUNCTION | | |
|------------------|-----------------|--------|--------|
| | POS. 1 | POS. 2 | POS. 3 |
| GT11MAVBE | ON | NONE | ON |
| GT13MAVBE | ON | OFF | ON |
| Conn. Terms. | 2-3 | OPEN | 2-1 |
| Schematic | | | |
| SPDT | | | |
| GT12MAVBE | OFF | NONE | ON |
| Conn. Terms. | OPEN | N/A | 3-1 |
| Schematic | | | |
| SPST | | | |



Actuator Shown In Pos. 1

PC MOUNTING

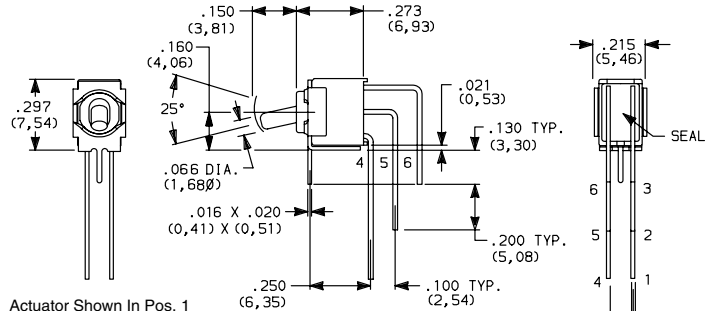


GT12 Models



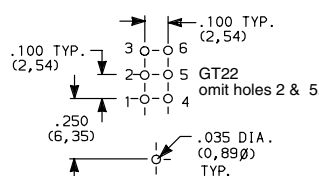
GT21MAVBE
Vertical
Actuation
DPDT

| PART NUMBER | SWITCH FUNCTION | | |
|------------------|-----------------|--------|----------|
| | POS. 1 | POS. 2 | POS. 3 |
| GT21MAVBE | ON | NONE | ON |
| GT23MAVBE | ON | OFF | ON |
| Conn. Terms. | 2-3, 5-6 | OPEN | 2-1, 5-4 |
| Schematic | | | |
| DPDT | | | |
| GT22MAVBE | OFF | NONE | ON |
| Conn. Terms. | OPEN | N/A | 3-1, 6-4 |
| Schematic | | | |
| DPST | | | |



Actuator Shown In Pos. 1

PC MOUNTING

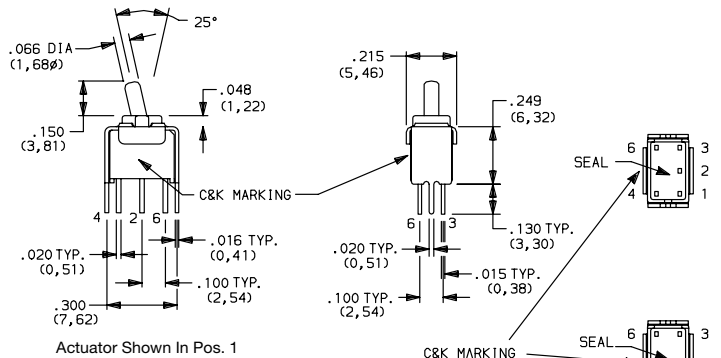


GT22 Models:
1, 3, 4 & 6 terminals only.



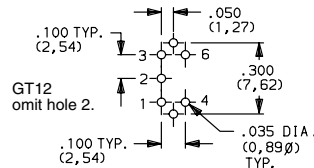
GT11MV3BE
SPDT

| PART NUMBER | SWITCH FUNCTION | | |
|------------------|----------------------------------|--------|--------|
| | POS. 1 | POS. 2 | POS. 3 |
| GT11MV3BE | ON | NONE | ON |
| GT13MV3BE | ON | OFF | ON |
| Conn. Terms. | 2-3 | OPEN | 2-1 |
| Schematic | | | |
| SPDT | Note: Pins 4 and 6 not connected | | |
| GT12MV3BE | OFF | NONE | ON |
| Conn. Terms. | OPEN | N/A | 3-1 |
| Schematic | | | |
| SPST | Note: Pins 4 and 6 not connected | | |

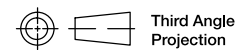


Actuator Shown In Pos. 1

PC MOUNTING



GT12 Models

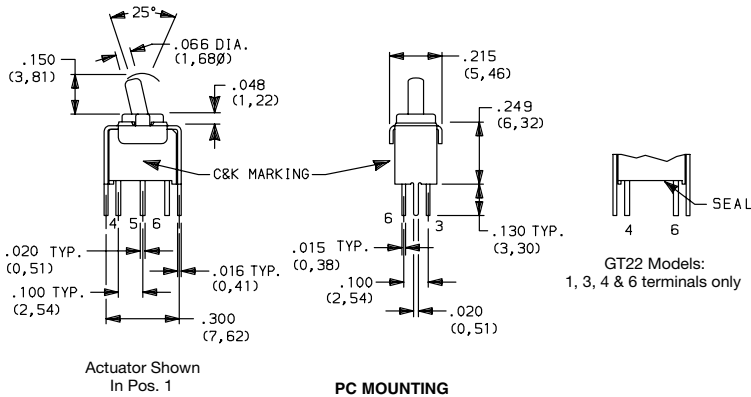


Dimensions are shown: Inches (mm)
Specifications and dimensions subject to change



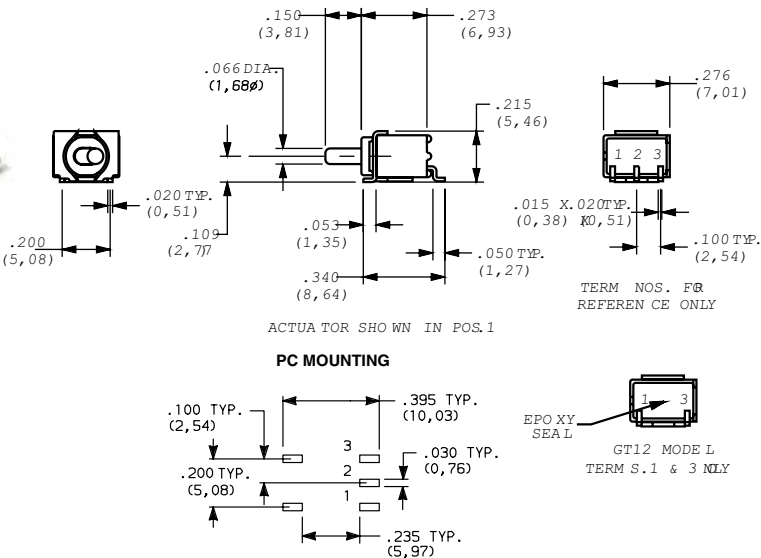
GT Series Sealed Ultraminiature Toggle Switches

GT21MV3BE
DPDT



| PART NUMBER | SWITCH FUNCTION | | |
|--------------|-----------------|--------|----------|
| | POS. 1 | POS. 2 | POS. 3 |
| GT21MV3BE | ON | NONE | ON |
| GT23MV3BE | ON | OFF | ON |
| Conn. Terms. | 2-3, 5-6 | OPEN | 2-1, 5-4 |
| Schematic | | | |
| DPDT | | | |
| GT22MV3BE | OFF | NONE | ON |
| Conn. Terms. | OPEN | N/A | 3-1, 6-4 |
| Schematic | | | |
| DPST | | | |

GT11MSABE
Horizontal
Actuation
SPDT

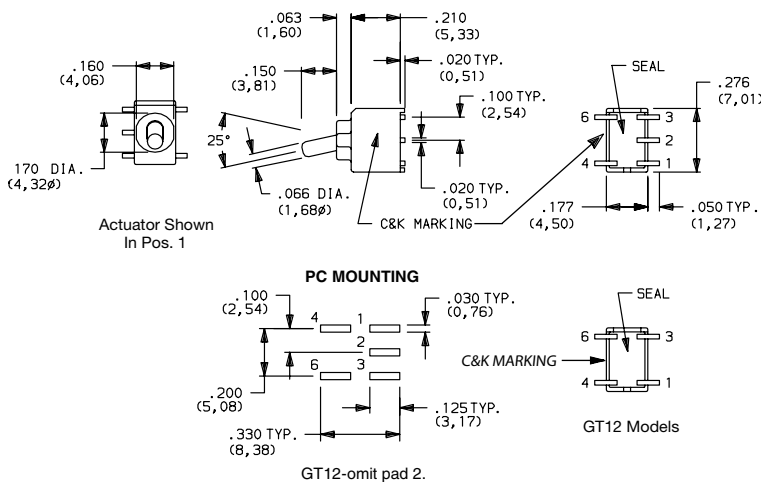


| PART NUMBER | SWITCH FUNCTION | | |
|--------------|-----------------|--------|--------|
| | POS. 1 | POS. 2 | POS. 3 |
| GT11MSABETR | ON | NONE | ON |
| GT13MSABETR | ON | OFF | ON |
| Conn. Terms. | 2-3 | OPEN | 2-1 |
| Schematic | | | |
| SPDT | | | |
| GT12MSABETR | OFF | NONE | ON |
| Conn. Terms. | OPEN | N/A | 3-1 |
| Schematic | | | |
| SPST | | | |

Standard with tape & reel packaging, see page F-47.

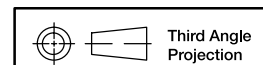
GT12-omit pad 2.

GT11MSCBE
SPDT



| PART NUMBER | SWITCH FUNCTION | | |
|--------------|----------------------------------|--------|--------|
| | POS. 1 | POS. 2 | POS. 3 |
| GT11MSCBETR | ON | NONE | ON |
| GT13MSCBETR | ON | OFF | ON |
| Conn. Terms. | 2-3 | OPEN | 2-1 |
| Schematic | | | |
| SPDT | Note: Pins 4 and 6 not connected | | |
| GT12MSCBETR | OFF | NONE | ON |
| Conn. Terms. | OPEN | N/A | 3-1 |
| Schematic | | | |
| SPST | Note: Pins 4 and 6 not connected | | |

Standard with tape & reel packaging, see page F-47.



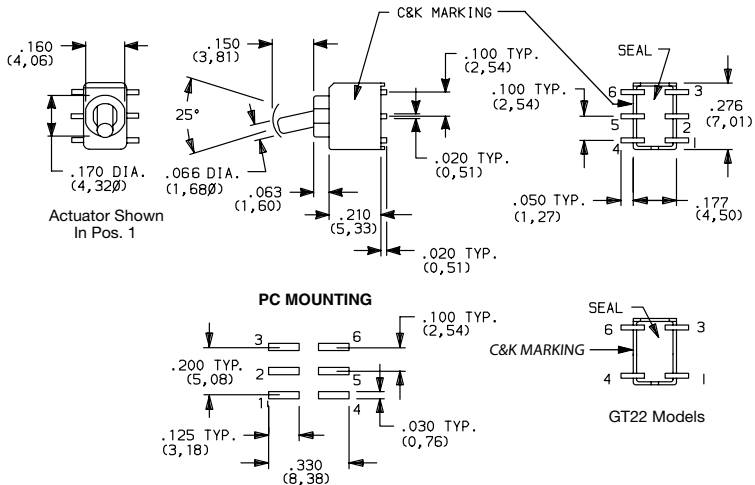
Dimensions are shown: Inches (mm)
Specifications and dimensions subject to change

GT Series Sealed Ultraminiature Toggle Switches



GT21MSCBE
DPDT

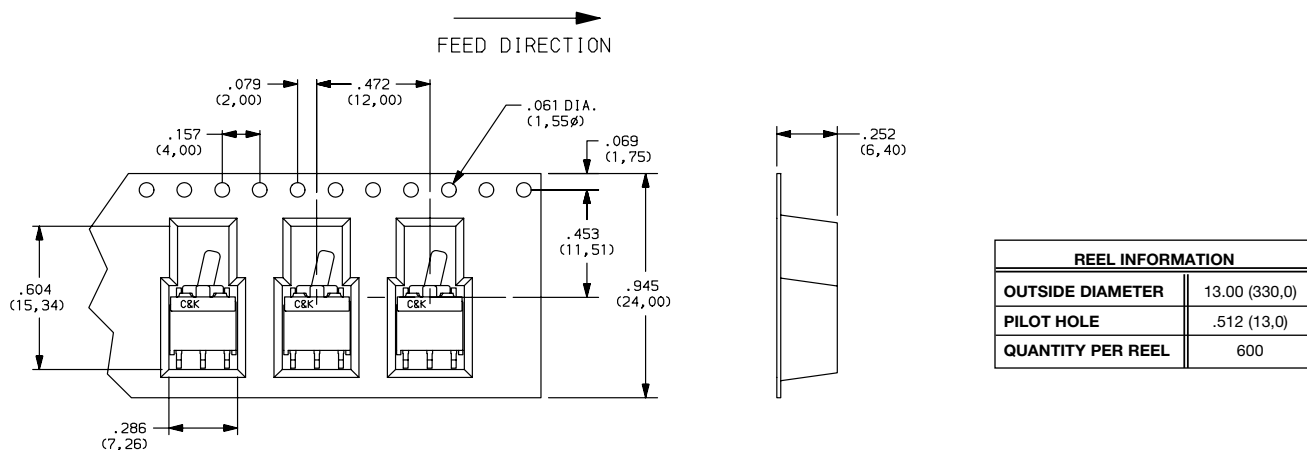
| PART NUMBER | SWITCH FUNCTION | | |
|--------------------|-----------------|--------|----------|
| | POS. 1 | POS. 2 | POS. 3 |
| GT21MSCBETR | ON | NONE | ON |
| GT23MSCBETR | ON | OFF | ON |
| Conn. Terms. | 2-3, 5-6 | OPEN | 2-1, 5-4 |
| Schematic | | | |
| DPDT | | | |
| GT22MSCBETR | OFF | NONE | ON |
| Conn. Terms. | OPEN | N/A | 3-1, 6-4 |
| Schematic | | | |
| DPST | | | |



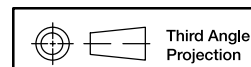
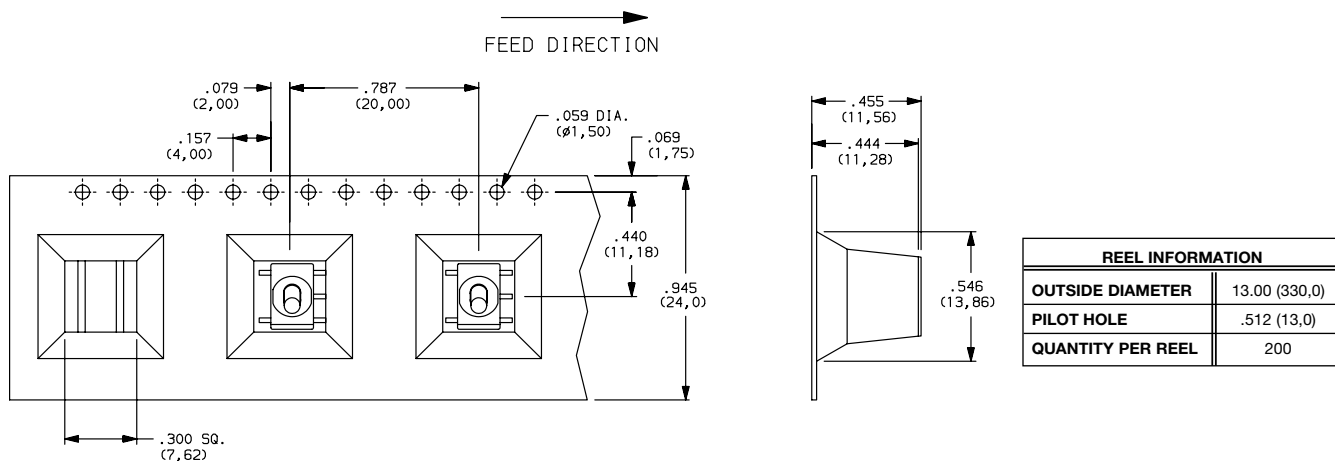
GT22-omit pads 2 & 5.
Standard with tape & reel packaging

TAPE & REEL

For part numbers GT11MSABE, GT12MSABE, GT13MSABE



For part numbers GT11MSCBE, GT12MSCBE, GT13MSCBE, GT21MSCBE, GT22MSCBE, GT23MSCBE,



Dimensions are shown: Inches (mm)
Specifications and dimensions subject to change



31 jan 18



F

Toggle

Mouser Electronics

Authorized Distributor

Click to View Pricing, Inventory, Delivery & Lifecycle Information:

C&K Switches:

[GT21MCBE](#) [GT13MAVBE](#) [GT23MAVBE](#) [GT11MABE](#) [GT21MABE](#) [GT23MCBE](#) [GT11MCBE](#) [GT12MCBE](#)
[GT22MCBE](#) [GT13MSCBE](#) [GT21MV3BE](#) [GT21MAVBE](#) [GT13MCBE](#) [GT12MAKE](#) [GT12MABE](#) [GT21MSCBE](#)
[GT11MSCBE](#) [GT13MABE](#) [GT12MCKE](#) [GT12MV3BE](#) [GT11MAVBE](#) [GT11MSABE](#) [GT11MV3BE](#) [GT12MAVBE](#)
[GT12MSABE](#) [GT13MSABE](#) [GT13MV3BE](#) [GT22MABE](#) [GT23MABE](#) [GT23MSCBETR](#)