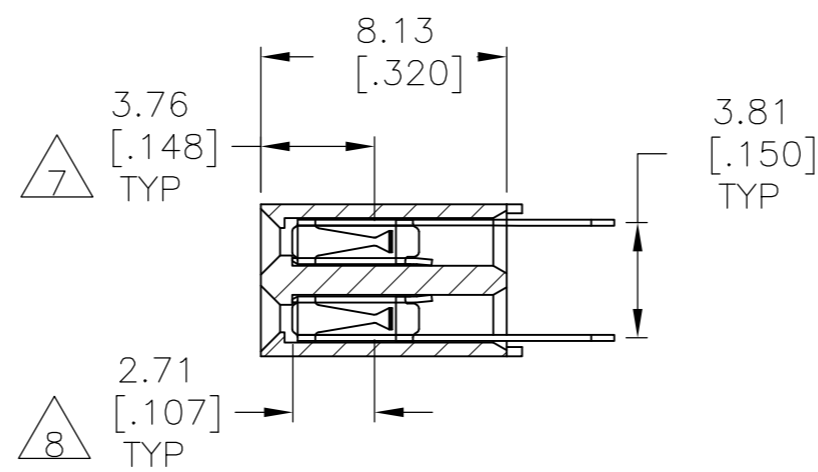
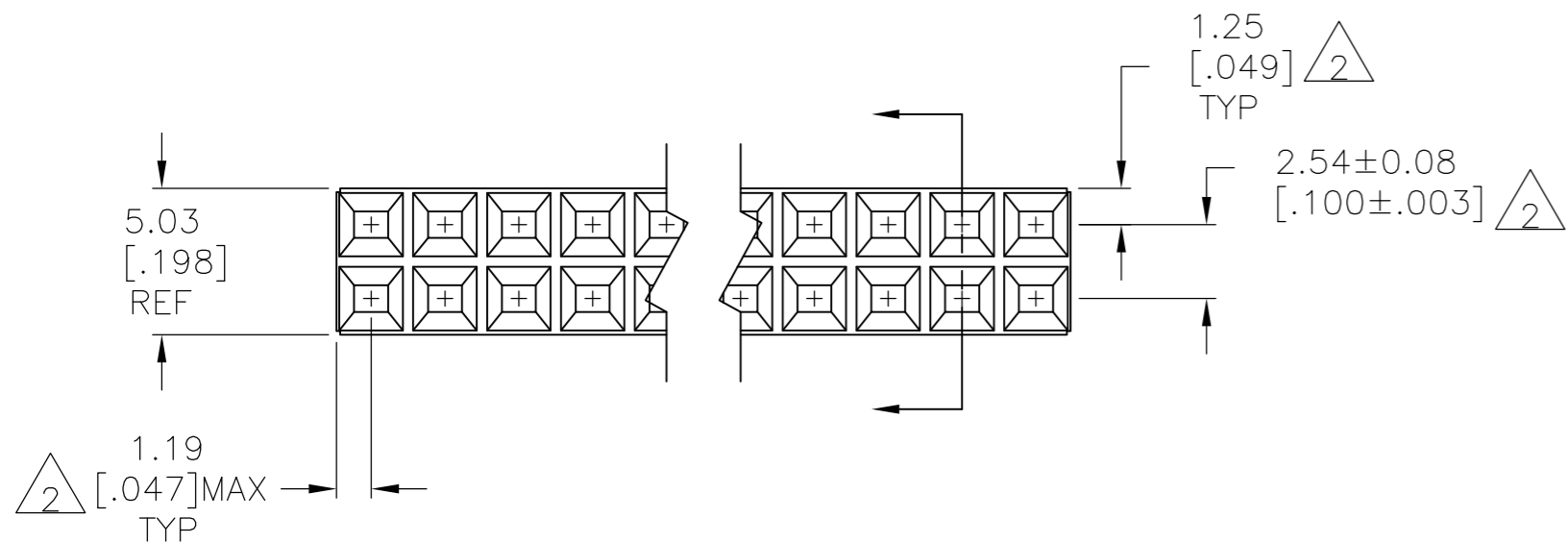
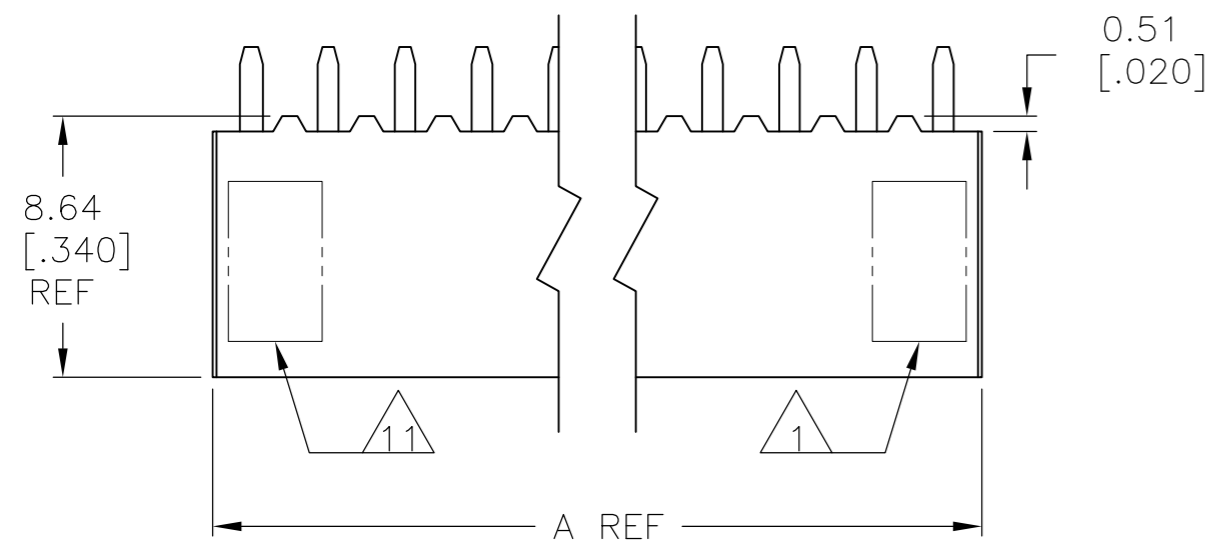
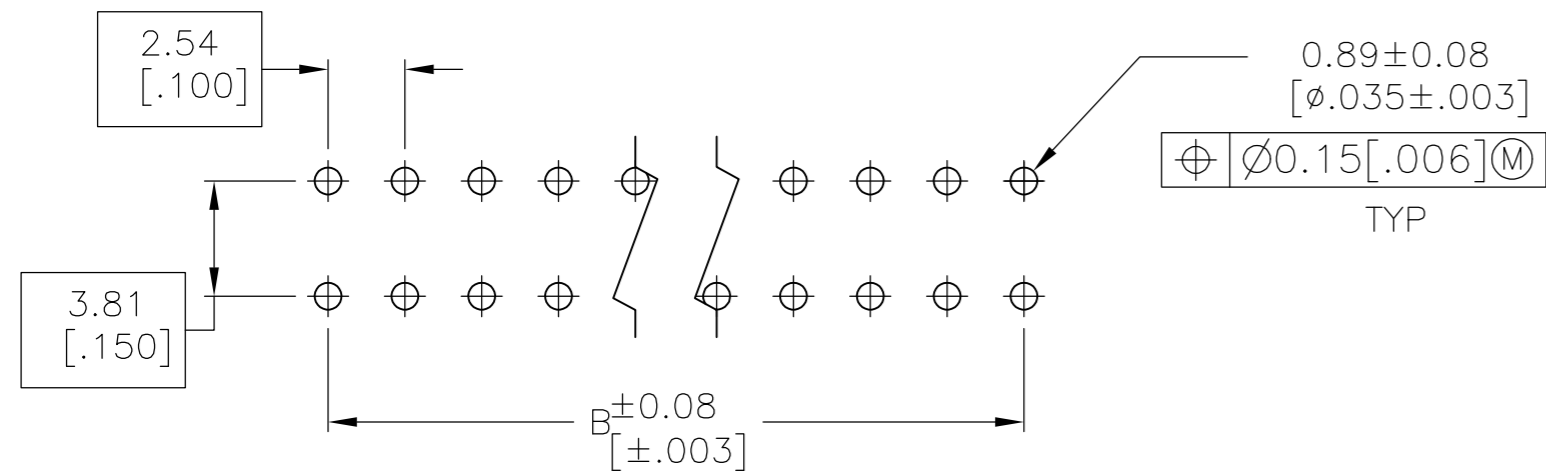


THIS DRAWING IS UNPUBLISHED. RELEASED FOR PUBLICATION
 © COPYRIGHT - By - ALL RIGHTS RESERVED.

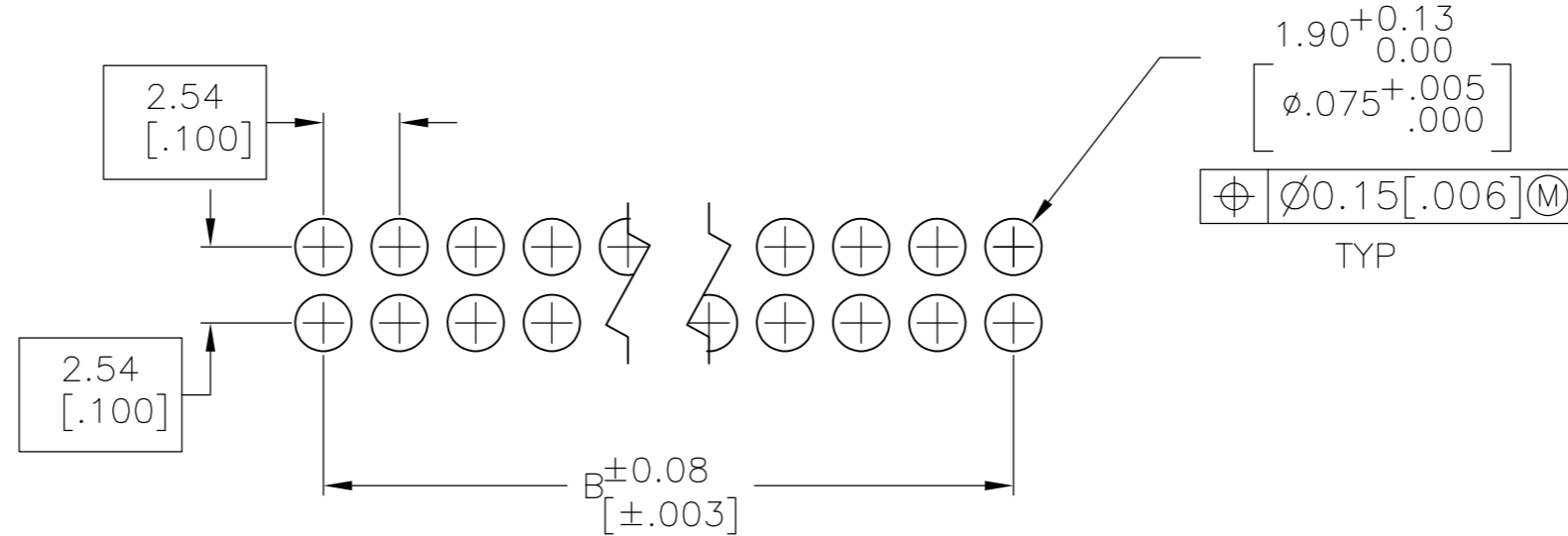
| LOC | | DIST | | REVISIONS | | | |
|-----|-----|---------------------------|--|-----------|-----|------|--|
| P | LTR | DESCRIPTION | | DATE | DWN | APVD | |
| | V2 | REVISED PER ECO-11-004820 | | 11MAR11 | RK | HMR | |



- 1 TE CONNECTIVITY LOGO AND CSA LOGO ARE MOLDED INTO THE HOUSING.
- 2 TOLERANCE NON-CUMULATIVE.
- 3 DUPLEX PLATED: 0.00076 (.000030) GOLD IN CONTACT AREA, .00381-.00762 (.000150-.000300) BRIGHT TIN-LEAD ON LEADS, ALL OVER 0.00127 (.000050) MIN NICKEL.
- 4 THESE DIMENSIONS PERTAIN TO CAVITY C/L'S ONLY, NOT TO CONTACT LOCATIONS.
- 5 NO PART NUMBER MARKING REQUIRED ON THIS PART NUMBER.
- 6 HOUSING: FLAME RETARDANT GLASS FILLED POLYESTER - BLACK. CONTACTS: PHOS. BRONZE.
- 7 POINT OF CONTACT DIMENSION.
- 8 POINT OF MEASUREMENT FOR PLATING THICKNESS (INSIDE CONTACT BEAMS).
- 9 DUPLEX PLATED: 0.00076 (.000030) GOLD DUPLEX IN CONTACT AREA, 0.00381-0.00762 (.000150-.000300) MATTE TIN ON LEADS, ALL OVER 0.00127 (.000050) MIN NICKEL.
- 10 ROHS 2002/95/EC COMPLIANT
- 11 PART NUMBER AND DATE CODE ARE MARKED IN APPROXIMATE LOCATION SHOWN.
- 12 OBSOLETE PARTS: OBSOLETE CIS STREAMLINING PER D.RENAUD/D.SINISI



RECOMENDED HOLE LAYOUT FOR TOP ENTRY



RECOMENDED HOLE LAYOUT FOR BOTTOM ENTRY OR PASS THROUGH APPLICATIONS

| | | | | |
|--|---------------|-------------------------------|--|--------------------|
| THIS DRAWING IS A CONTROLLED DOCUMENT. | | DWN R. BOLES 19-11-92 | TE Connectivity | |
| DIMENSIONS: mm [INCHES] | | CHK T. KINSEY 19-11-92 | | |
| TOLERANCES UNLESS OTHERWISE SPECIFIED: | | APVD - | NAME | |
| 0 PLC ± - | 1 PLC ± - | PRODUCT SPEC 108-25026 | ASSEMBLY, MOD II DOUBLE ROW, .100 X .100 C/L, VERTICAL MOUNTED, CLOSED ENTRY, SHORT PT. CONTACTS | |
| 2 PLC ± - | 3 PLC ± .005 | APPLICATION SPEC 114-25018 | SIZE A2 | CAGE CODE 00779 |
| 4 PLC ± - | ANGLES ± - | WEIGHT - | DRAWING NO C=534236 | RESTRICTED TO - |
| MATERIAL 6 | FINISH 3 9 | CUSTOMER DRAWING | SCALE 4:1 | SHEET 1 OF 2 |
| | | | REV V2 | |

THIS DRAWING IS UNPUBLISHED. RELEASED FOR PUBLICATION
 © COPYRIGHT - By - ALL RIGHTS RESERVED.

| LOC | DIST | REVISIONS | | | | | |
|-----|------|-----------|-----|-------------|------|-----|------|
| AD | 00 | P | LTR | DESCRIPTION | DATE | DWN | APVD |
| | | - | | SEE SHEET 1 | - | - | - |

| FINISH | A | B | NO OF POSN | PART NO. | | | |
|--------|----------|----|------------|----------|----|-----|------------|
| △5 | OBSOLETE | △9 | 1.300 | 1.200 | 26 | △10 | 9-534236-1 |
| | | △9 | 4.000 | 3.900 | 80 | △10 | 9-534236-0 |
| | | △9 | 3.900 | 3.800 | 78 | △10 | 8-534236-9 |
| | | △9 | 3.800 | 3.700 | 76 | △10 | 8-534236-8 |
| | | △9 | 3.700 | 3.600 | 74 | △10 | 8-534236-7 |
| | | △9 | 3.600 | 3.500 | 72 | △10 | 8-534236-6 |
| | | △9 | 3.500 | 3.400 | 70 | △10 | 8-534236-5 |
| | | △9 | 3.400 | 3.300 | 68 | △10 | 8-534236-4 |
| | | △9 | 3.300 | 3.200 | 66 | △10 | 8-534236-3 |
| | | △9 | 3.200 | 3.100 | 64 | △10 | 8-534236-2 |
| | | △9 | 3.100 | 3.000 | 62 | △10 | 8-534236-1 |
| | | △9 | 3.000 | 2.900 | 60 | △10 | 8-534236-0 |
| | | △9 | 2.900 | 2.800 | 58 | △10 | 7-534236-9 |
| | | △9 | 2.800 | 2.700 | 56 | △10 | 7-534236-8 |
| | | △9 | 2.700 | 2.600 | 54 | △10 | 7-534236-7 |
| | | △9 | 2.600 | 2.500 | 52 | △10 | 7-534236-6 |
| | | △9 | 2.500 | 2.400 | 50 | △10 | 7-534236-5 |
| | | △9 | 2.400 | 2.300 | 48 | △10 | 7-534236-4 |
| | | △9 | 2.300 | 2.200 | 46 | △10 | 7-534236-3 |
| | | △9 | 2.200 | 2.100 | 44 | △10 | 7-534236-2 |
| | | △9 | 2.100 | 2.000 | 42 | △10 | 7-534236-1 |
| | | △9 | 2.000 | 1.900 | 40 | △10 | 7-534236-0 |
| | | △9 | 1.900 | 1.800 | 38 | △10 | 6-534236-9 |
| | OBSOLETE | △9 | 1.800 | 1.700 | 36 | △10 | 6-534236-8 |
| | | △9 | 1.700 | 1.600 | 34 | △10 | 6-534236-7 |
| | OBSOLETE | △9 | 1.600 | 1.500 | 32 | △10 | 6-534236-6 |
| | | △9 | 1.500 | 1.400 | 30 | △10 | 6-534236-5 |
| | | △9 | 1.400 | 1.300 | 28 | △10 | 6-534236-4 |
| | OBSOLETE | △9 | 1.300 | 1.200 | 26 | △10 | 6-534236-3 |
| | | △9 | 1.200 | 1.100 | 24 | △10 | 6-534236-2 |
| | | △9 | 1.100 | 1.000 | 22 | △10 | 6-534236-1 |
| | | △9 | 1.000 | .900 | 20 | △10 | 6-534236-0 |
| | OBSOLETE | △9 | .900 | .800 | 18 | △10 | 5-534236-9 |
| | | △9 | .800 | .700 | 16 | △10 | 5-534236-8 |
| | | △9 | .700 | .600 | 14 | △10 | 5-534236-7 |
| | | △9 | .600 | .500 | 12 | △10 | 5-534236-6 |
| | | △5 | .500 | .400 | 10 | △10 | 5-534236-5 |
| | | △5 | .400 | .300 | 8 | △10 | 5-534236-4 |
| | | △5 | .300 | .200 | 6 | △10 | 5-534236-3 |
| | | △5 | .200 | .100 | 4 | △10 | 5-534236-2 |
| | | △5 | .100 | - | 2 | △10 | 5-534236-1 |

| FINISH | A | B | NO OF POSN | PART NO. | | | | |
|--------|-----|----------|------------|----------|-------|----|----|----------|
| △5 | △12 | OBSOLETE | △3 | 1.300 | 1.200 | 26 | △4 | 534236-1 |
| | | | △3 | 4.000 | 3.900 | 80 | △4 | 534236-0 |
| | | | △3 | 3.900 | 3.800 | 78 | △3 | 534236-9 |
| | | | △3 | 3.800 | 3.700 | 76 | △3 | 534236-8 |
| | | | △3 | 3.700 | 3.600 | 74 | △3 | 534236-7 |
| | | | △3 | 3.600 | 3.500 | 72 | △3 | 534236-6 |
| | | | △3 | 3.500 | 3.400 | 70 | △3 | 534236-5 |
| | | | △3 | 3.400 | 3.300 | 68 | △3 | 534236-4 |
| | | | △3 | 3.300 | 3.200 | 66 | △3 | 534236-3 |
| | | | △3 | 3.200 | 3.100 | 64 | △3 | 534236-2 |
| | | | △3 | 3.100 | 3.000 | 62 | △3 | 534236-1 |
| | | | △3 | 3.000 | 2.900 | 60 | △3 | 534236-0 |
| | | | △3 | 2.900 | 2.800 | 58 | △2 | 534236-9 |
| | | | △3 | 2.800 | 2.700 | 56 | △2 | 534236-8 |
| | | | △3 | 2.700 | 2.600 | 54 | △2 | 534236-7 |
| | | | △3 | 2.600 | 2.500 | 52 | △2 | 534236-6 |
| | | | △3 | 2.500 | 2.400 | 50 | △2 | 534236-5 |
| | | | △3 | 2.400 | 2.300 | 48 | △2 | 534236-4 |
| | | | △3 | 2.300 | 2.200 | 46 | △2 | 534236-3 |
| | | | △3 | 2.200 | 2.100 | 44 | △2 | 534236-2 |
| | | | △3 | 2.100 | 2.000 | 42 | △2 | 534236-1 |
| | | | △3 | 2.000 | 1.900 | 40 | △2 | 534236-0 |
| | | | △3 | 1.900 | 1.800 | 38 | △1 | 534236-9 |
| | | | △3 | 1.800 | 1.700 | 36 | △1 | 534236-8 |
| | | | △3 | 1.700 | 1.600 | 34 | △1 | 534236-7 |
| | | | △3 | 1.600 | 1.500 | 32 | △1 | 534236-6 |
| | | | △3 | 1.500 | 1.400 | 30 | △1 | 534236-5 |
| | | | △3 | 1.400 | 1.300 | 28 | △1 | 534236-4 |
| | | | △3 | 1.300 | 1.200 | 26 | △1 | 534236-3 |
| | | | △3 | 1.200 | 1.100 | 24 | △1 | 534236-2 |
| | | | △3 | 1.100 | 1.000 | 22 | △1 | 534236-1 |
| | | | △3 | 1.000 | .900 | 20 | △1 | 534236-0 |
| | | | △3 | .900 | .800 | 18 | △1 | 534236-9 |
| | | | △3 | .800 | .700 | 16 | △1 | 534236-8 |
| | | | △3 | .700 | .600 | 14 | △1 | 534236-7 |
| | | | △3 | .600 | .500 | 12 | △1 | 534236-6 |
| | | | △3 | .500 | .400 | 10 | △5 | 534236-5 |
| | | | △3 | .400 | .300 | 8 | △5 | 534236-4 |
| | | | △3 | .300 | .200 | 6 | △5 | 534236-3 |
| | | | △3 | .200 | .100 | 4 | △5 | 534236-2 |
| | | | △3 | .100 | - | 2 | △5 | 534236-1 |

THIS DRAWING IS A CONTROLLED DOCUMENT.

| | |
|-------------------------------|--|
| DWN R. BOLES 19-11-92 | TE Connectivity |
| CHK T. KINSEY 19-11-92 | |
| APVD - | NAME |
| PRODUCT SPEC 108-25026 | ASSEMBLY, MOD II DOUBLE ROW, .100 X .100 C/L, VERTICAL MOUNTED, CLOSED ENTRY, SHORT PT. CONTACTS |
| APPLICATION SPEC 114-25018 | |
| WEIGHT - | RESTRICTED TO - |
| CUSTOMER DRAWING | SCALE 4:1 SHEET 2 OF 2 REV V2 |

Mouser Electronics

Authorized Distributor

Click to View Pricing, Inventory, Delivery & Lifecycle Information:

[TE Connectivity:](#)

[2-534236-2](#)