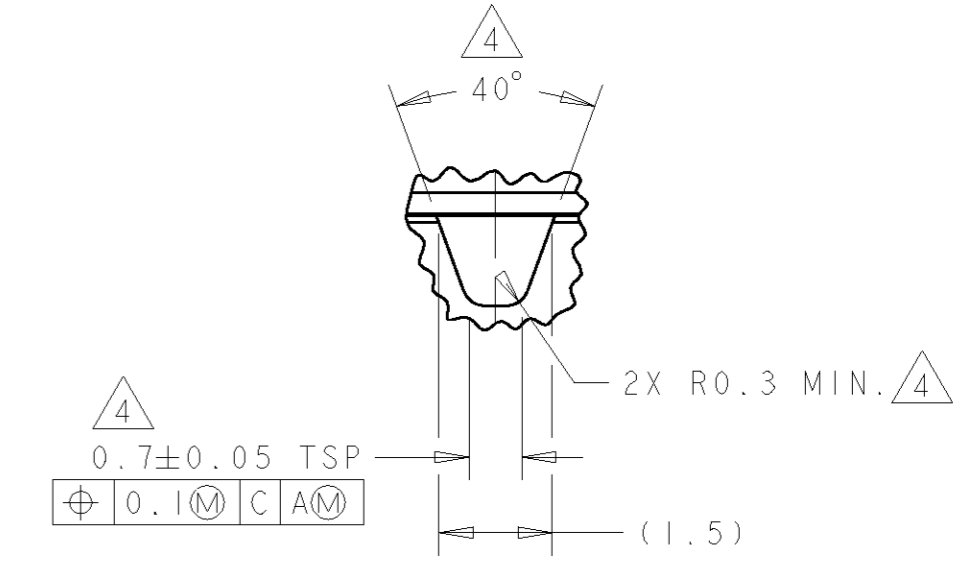
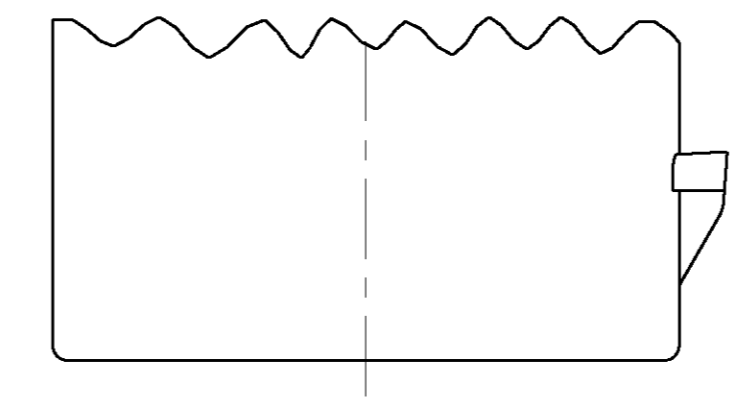
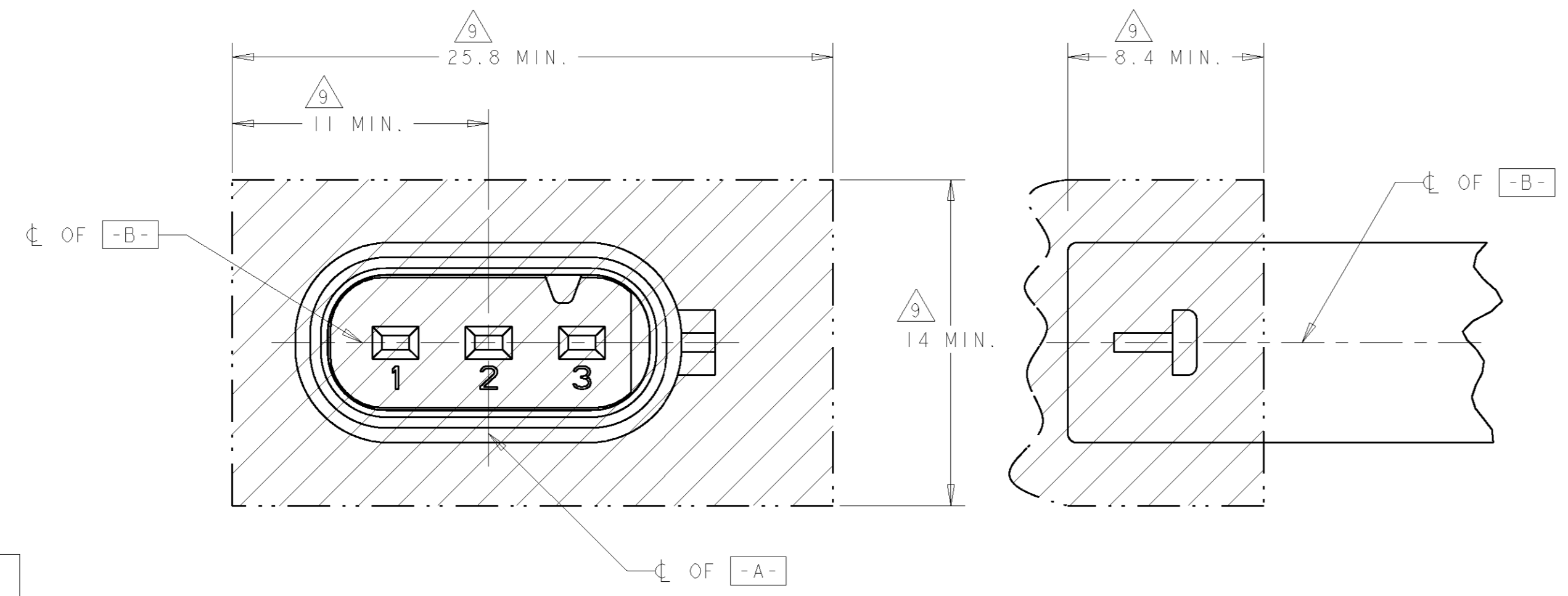
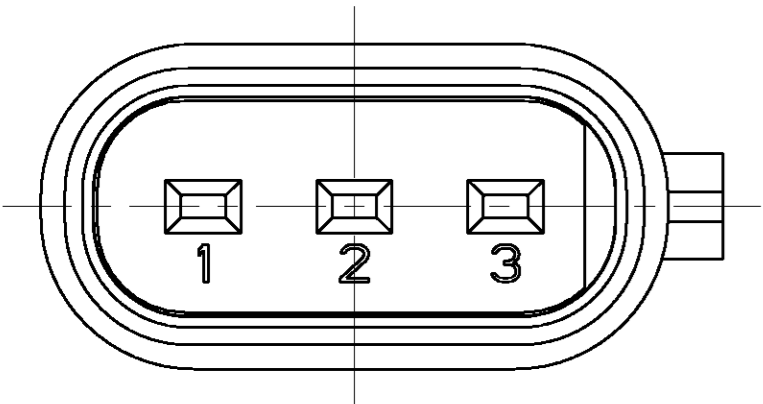


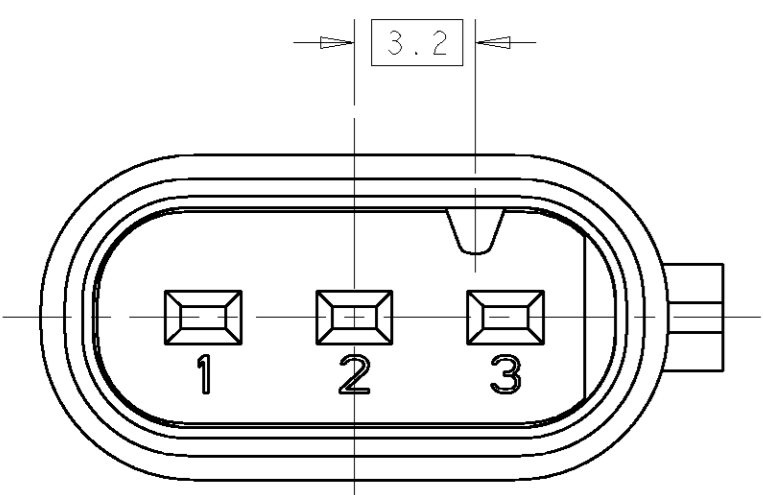
REVISONS		DATE	DWN	APPR
1	PROPOSED	28MAY2003	KF	GM
2	RE-DRAWN AND CHANGED THE CONNECTOR	31MAR2004	MFF	GM
	LATCH DESIGN FROM "U" SHAPE TO "T" SHAPE			
0	RELEASED PER EC DK01-0063-04	29APR2004	MFF	GM



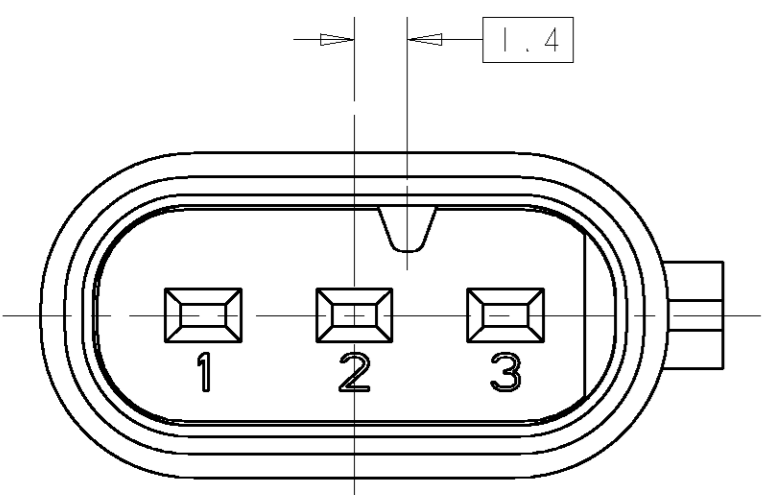
KEYING CONFIGURATIONS



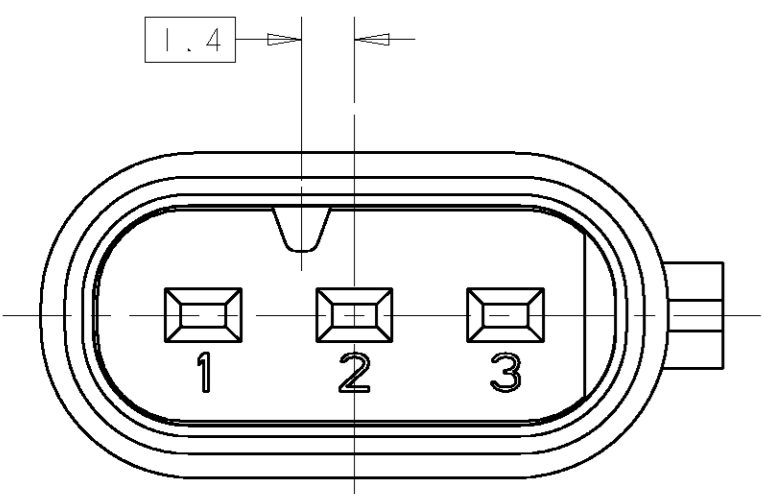
NO KEYING OPTION



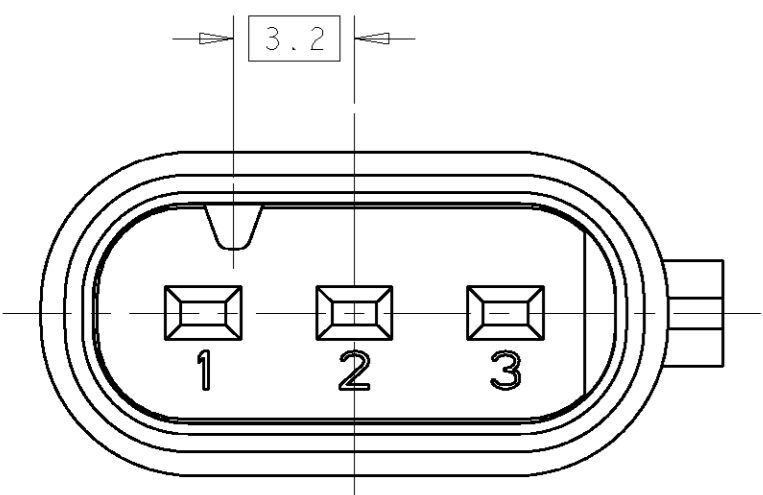
KEYING OPTION D



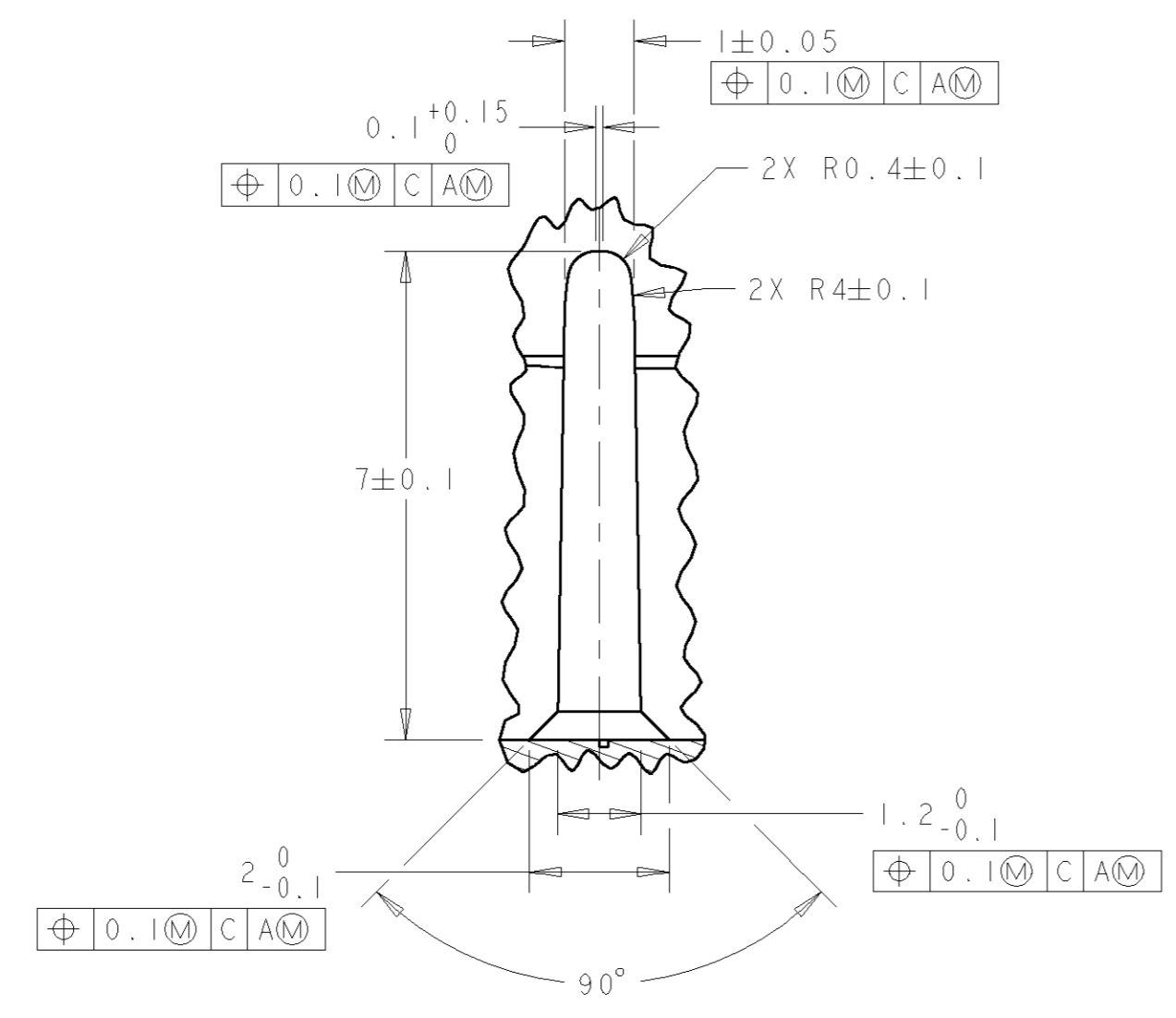
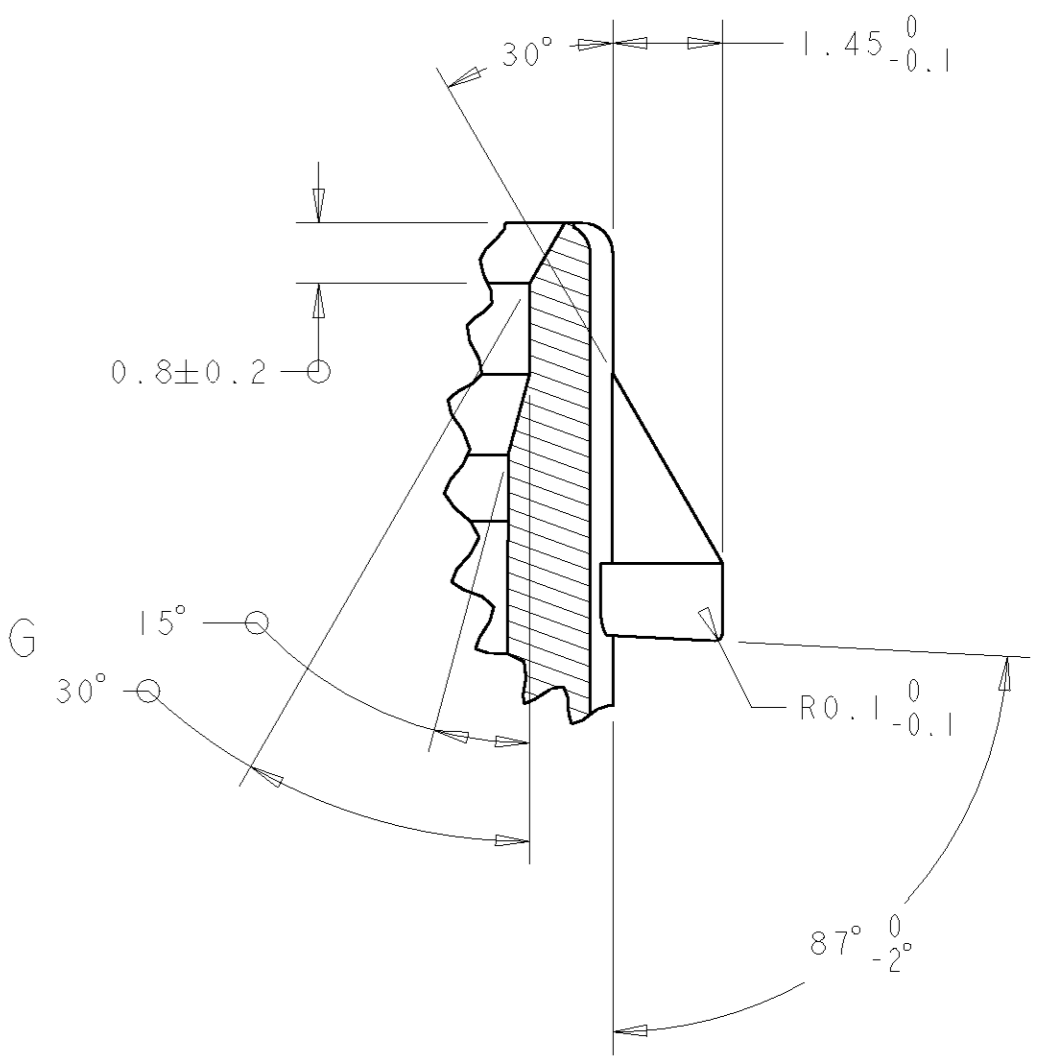
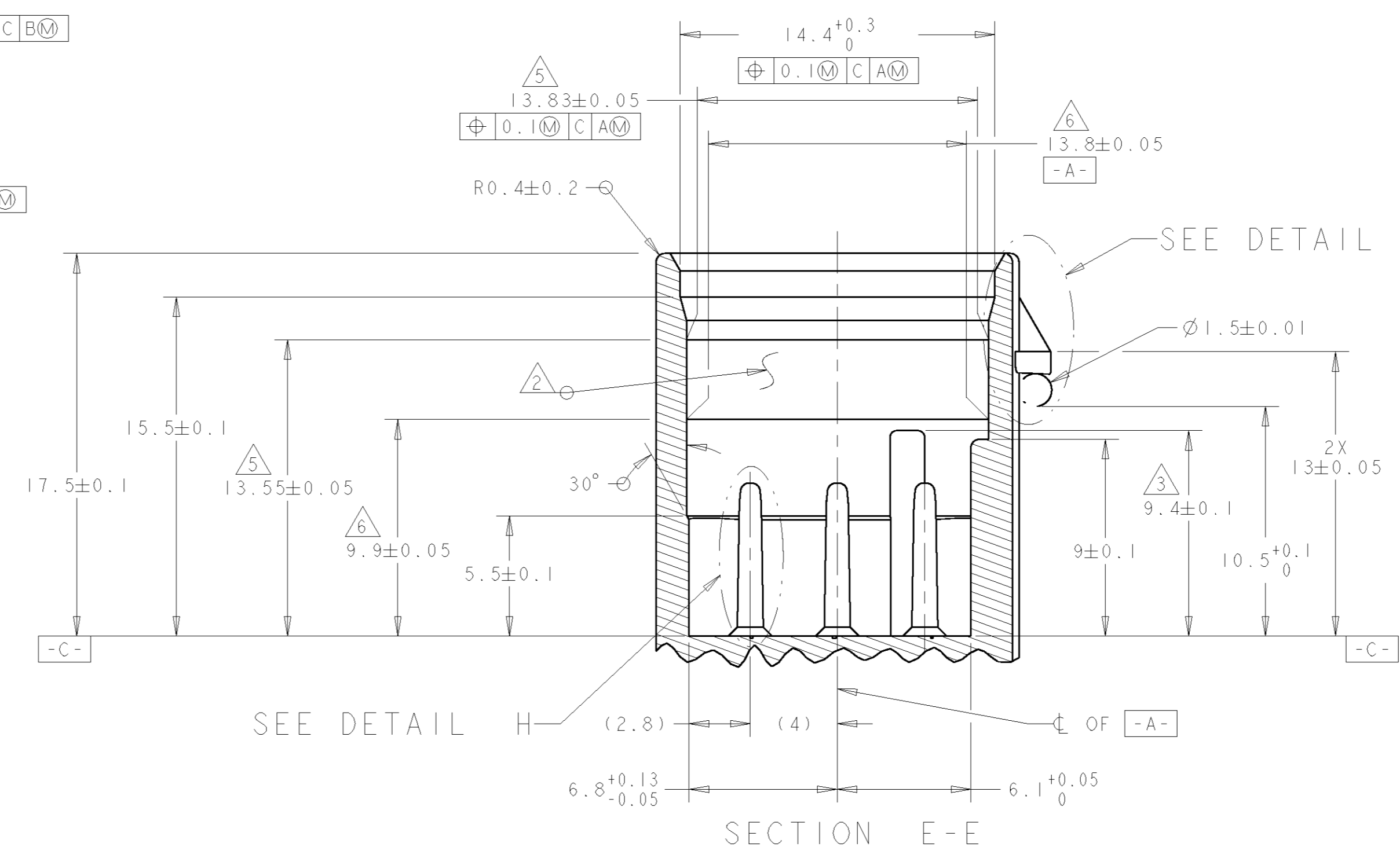
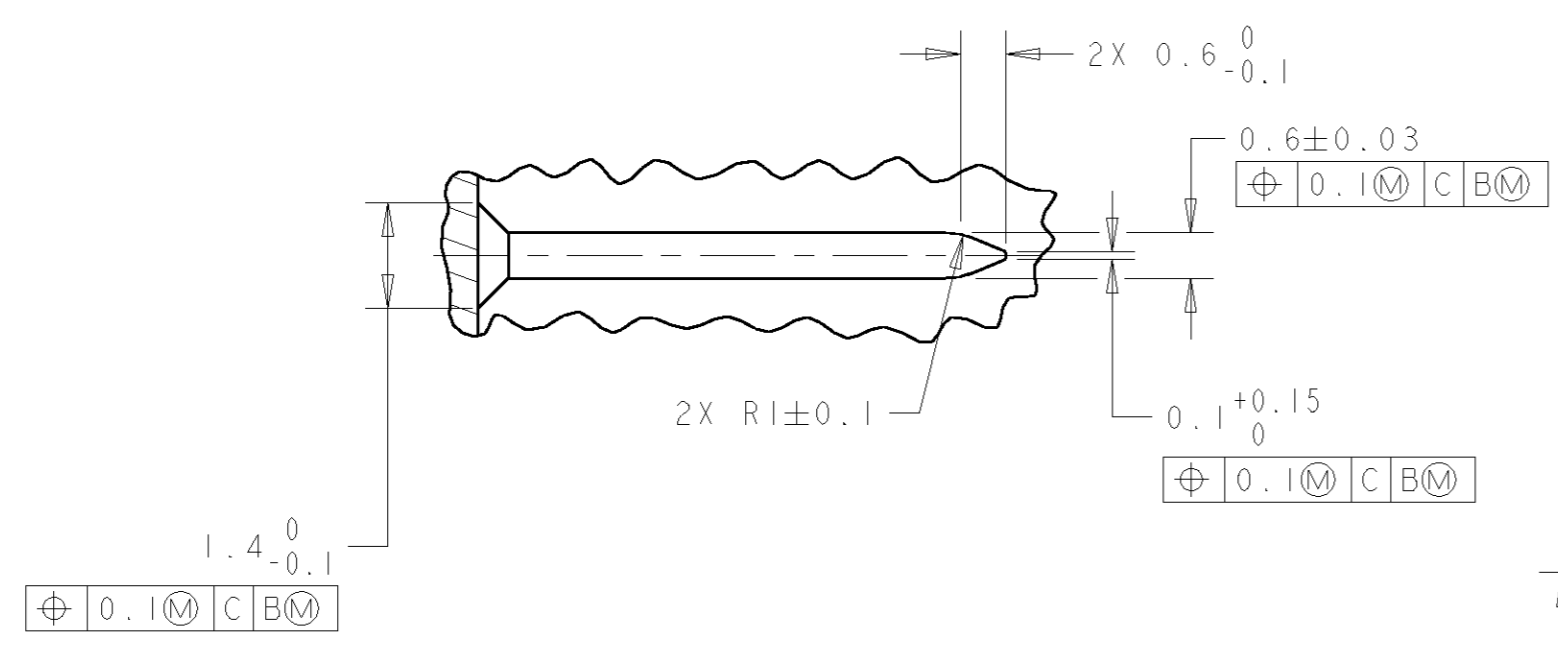
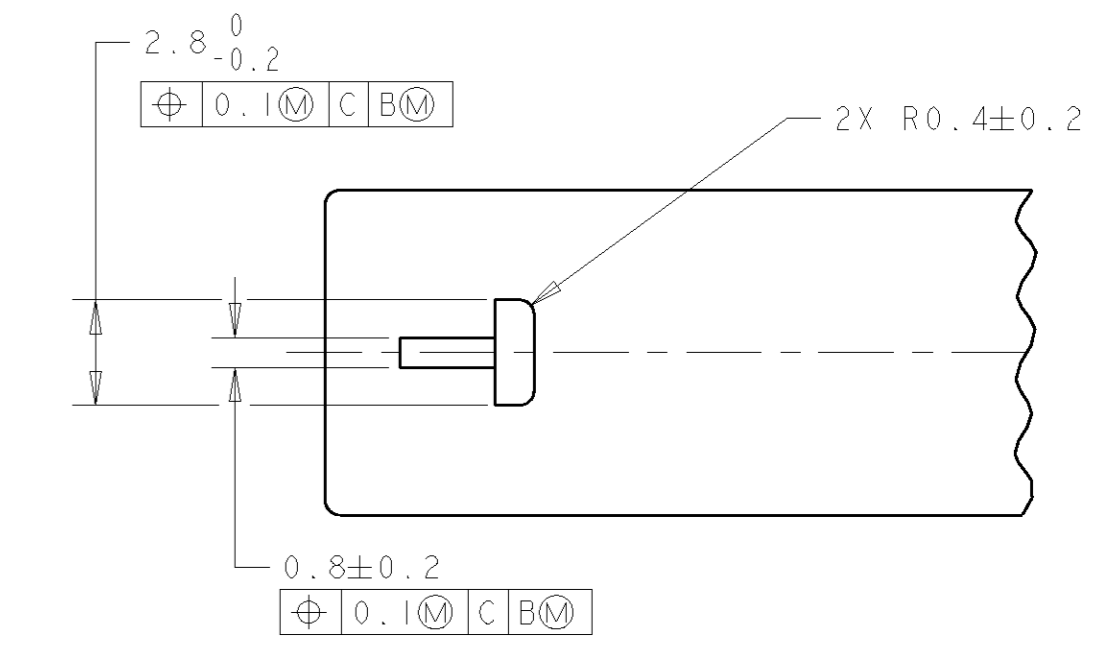
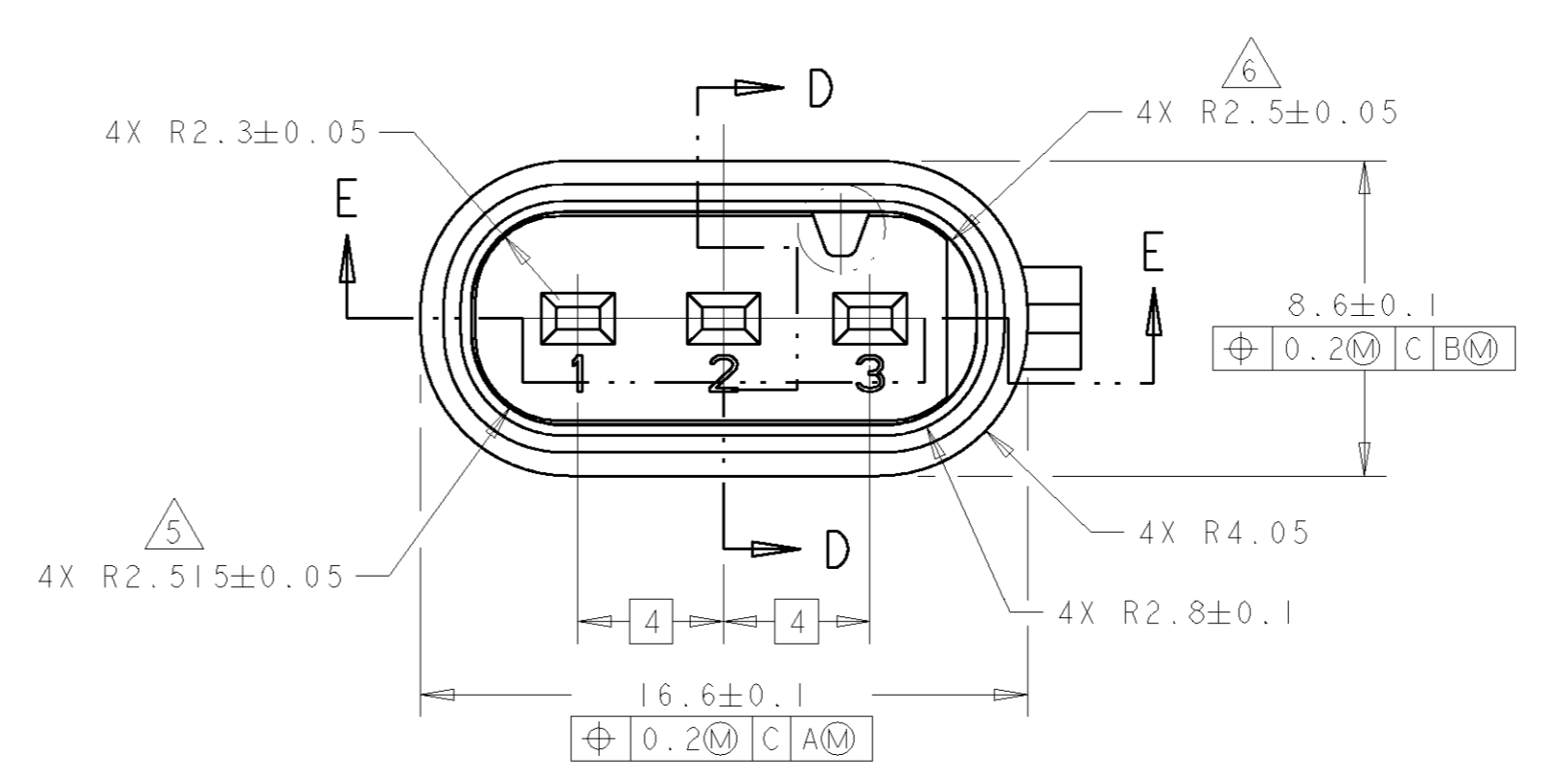
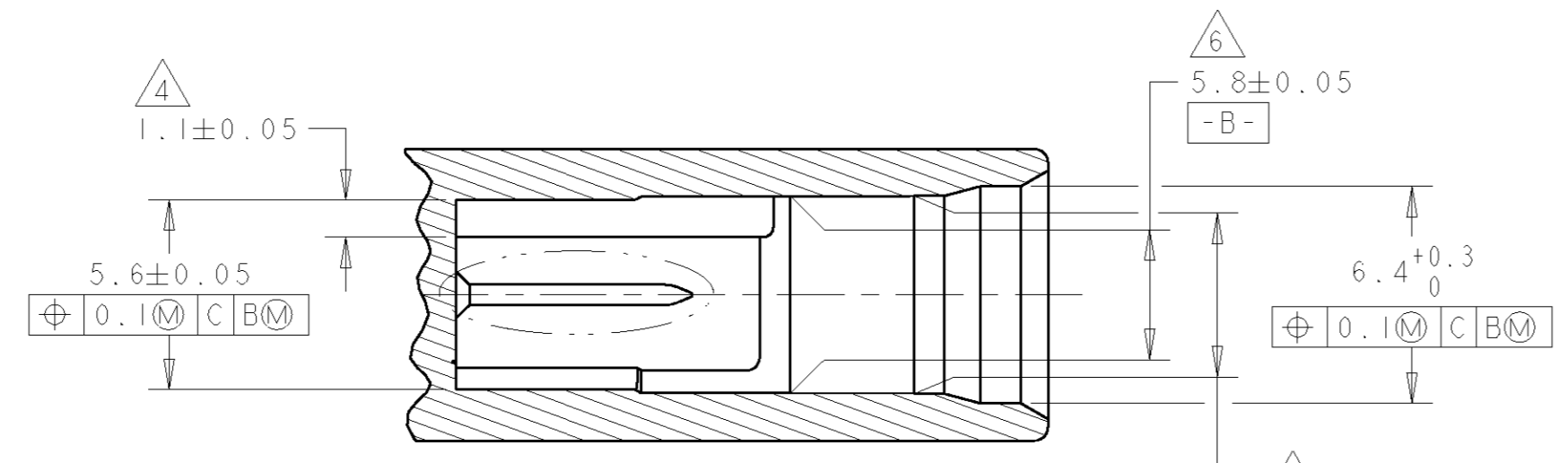
KEYING OPTION C



KEYING OPTION B



KEYING OPTION A



DIMENSIONS:		TOLERANCES UNLESS OTHERWISE SPECIFIED:		DWN: R. FOLTZ 28MAY2003		tyco Tyco Electronics	
mm		0 PLC ±0.5		CHK: G. MARTIN 29MAY2003		Harrisburg, PA 17105-3608	
Ø		1 PLC ±0.13		APPR: G. MARTIN 29MAY2003		NAME: INTERFACE DRAWING	
MATERIAL:		FINISH:		PRODUCT SPEC:		3 POSITION SEALED, 1.2mm	
				APPLICATION SPEC:		LOW PROFILE VERSION	
				WEIGHT:		SIZE: CAGE CODE: DRAWING NO: RESTRICTED TO	
				CUSTOMER DRAWING		A 00779 C=1488788	
				SCALE: 5:1		SHEET 1 OF 1 REV 0	

Mouser Electronics

Authorized Distributor

Click to View Pricing, Inventory, Delivery & Lifecycle Information:

[TE Connectivity:](#)

[1488992-5](#)