

Figure 1

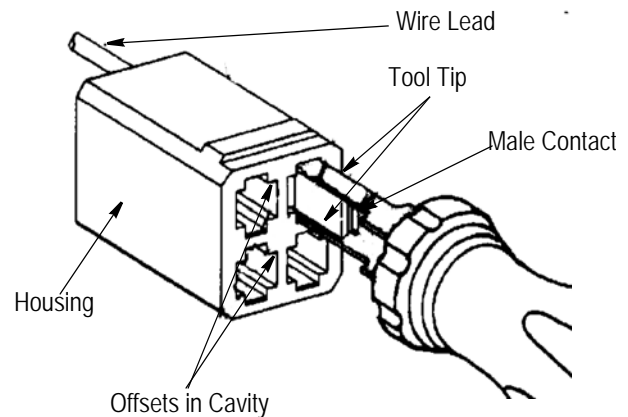


Figure 3

## 1. INTRODUCTION

This tool (see Figure 1) is used to extract Type XII (male and female) Contacts from their housings. A list of the contacts is shown in the table in Figure 2.

Read these instructions carefully before using the tool.

CONTACT NUMBER	
FEMALE CONTACT	MALE CONTACT
66258 (66252 LP)	66261 (66255 LP)
	66262 (66256 LP)
	66329 (66330 LP)
	66259 (66253 LP)
66257 (66251 LP)	66260 (66254 LP)
	66326 (66327 LP)

Figure 2

## 2. DESCRIPTION

The tool consists of a sectionalized handle (see Figure 1) and two tooling tips.

## 3. EXTRACTION

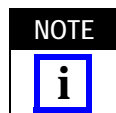
### 3.1. Extraction of Male Contact

1. Pull the rear section of handle back.
2. Keeping sections of handle separated, slide tool tips over male contact and into offsets in cavity. See Figure 3.
3. Push the tips of the tool into the housing until they bottom in the cavity.
4. Keeping the tool bottomed in the cavity, push the rear section of the handle toward the housing.

5. Remove the contact by pulling it out of the rear of cavity.

### 3.2. Extraction of Female Contact

1. Insert the tool tips into the offsets in the cavity. See Figure 4.
2. Push the tool into the housing until it bottoms in the cavity.



*The rear section of the handle will back out of the tool.*

3. Keeping the tool bottomed in the cavity, push the rear section of the handle toward the housing.
4. Remove the contact by pulling it out of rear of the cavity.

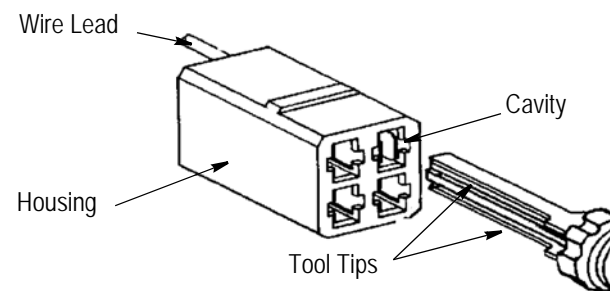


Figure 4

## 4. REVISION SUMMARY

Revisions to this instruction sheet include:

- Changed company name and logo
- Revised title error

# Mouser Electronics

Authorized Distributor

Click to View Pricing, Inventory, Delivery & Lifecycle Information:

[TE Connectivity:](#)

[91019-3](#)