

## Model 183 Multiplier



File # E91015

- Reduces high AC Voltage Signals down to 150 VAC
- Reduces high DC Voltage signals down to 500 $\mu$ ADC
- Accuracy  $\pm 1\%$

### Ordering Information

#### DC Volts - 2000 Ohms/Volt

Used only with Simpson DC Volt analog panel meters or with 0-2 mA DC digital panel meters. Digital units will need to be recalibrated when a multiplier is used.

Range	Multiplier Resistance M $\Omega$	Meter Sensitivity DC $\mu$ A	Catalog Number
0-500	1	500	08552
0-1000	2	500	08554
0-2000	4	500	08557
0-4000	8	500	08560
0-5000	10	500	08561

#### AC Volts - 166 Ohms/Volt

Used only with Simpson AC Volt, iron vane analog panel meters or with a 0-200 VAC digital meter using an external 25K $\Omega$ /1W resistor across the inputs.

Range	Impedance $\Omega$ @ 60 Hz	Voltage Reduced	Voltage Drop	Catalog Number
0-500	58,333	350	150	08562
0-600	75,000	450	150	08563
0-750	100,000	600	150	08564
0-1000	141,666	850	150	08565



## Current Transducers

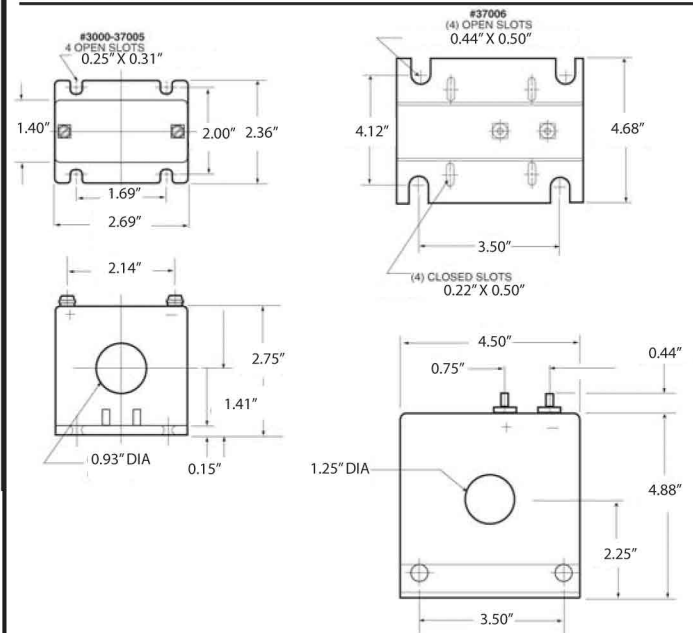
- Reduces AC current signals down to 4-20 DCmA
- Screw terminals for easy connection
- Operates on 24V DC power

### Specifications

Accuracy:	$\pm 0.5\%$ F.S. Max
Frequency:	60Hz
Insulation Class:	600V
Max. Output:	30DCmA
Temp. Effect:	
Accuracy:	$\pm 0.04\%/^{\circ}$ C
Operating:	-30 $^{\circ}$ C to +65 $^{\circ}$ C
Storage:	-55 $^{\circ}$ C to +85 $^{\circ}$ C
Supply Voltage:	24 DCV $\pm 10\%$
Weight:	1.5lb (680.39kg)



### Dimensions



### Ordering Information

Input Current Range(ACA)	Output Current Range(DCmA)	Catalog Number
0-5 A	4-20mA	37000
0-50 A	4-20mA	37001
0-75 A	4-20mA	37002
0-100 A	4-20mA	37003
0-150 A	4-20mA	37004
0-200 A	4-20mA	37005
0-300 A	4-20mA	37006

# Mouser Electronics

Authorized Distributor

Click to View Pricing, Inventory, Delivery & Lifecycle Information:

Simpson:

[08558](#) [08553](#) [08556](#) [08559](#) [08555](#)