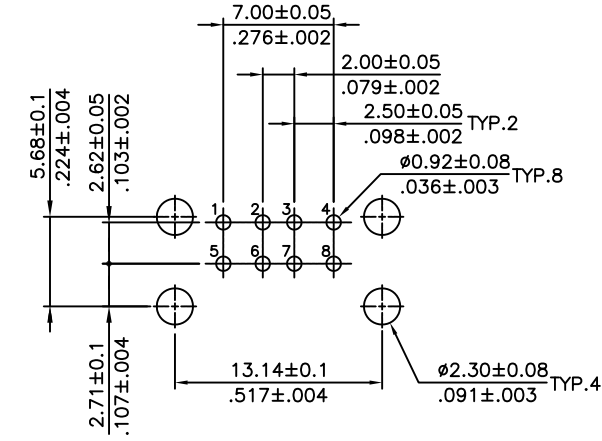
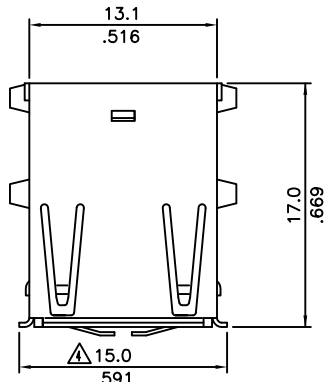


SIGN	DATE	DESCRIPTION	APPROVER
△	2012.10.03	USB 2.0 detail added	SHIN
△	2017.12.13	Updated current rating 2A	SHIN

THIS IS CAD DRAWING, DO NOT REVISE MANUALLY!!!



Recommended P.C. Board Layout

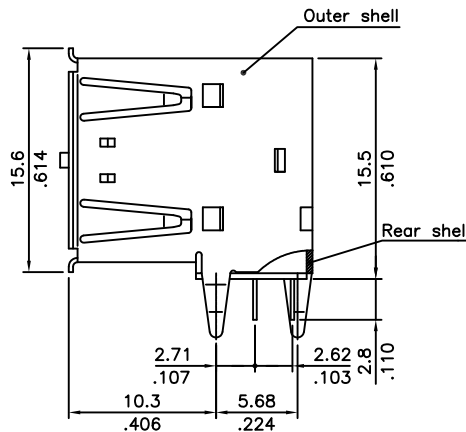
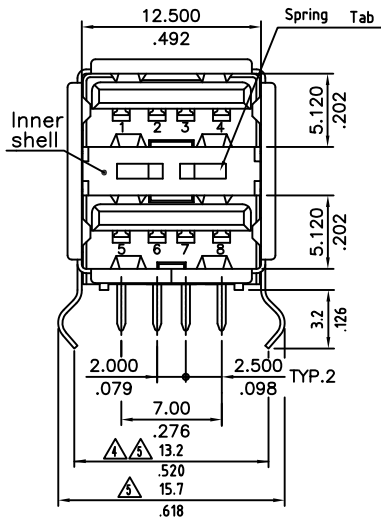
Material

- Insulator: Glass Filled Polyester
- Flammability: UL94 V-0
- Contacts: Phosphor Bronze
- Contact Plating: See options
- Shell: Brass
- Shell Plating: 100u" Min. Tin over 40u" Nickel

Ratings

- Current: 2A △
- Voltage: 30V AC(r.m.s.)
- Dielectric Withstanding Voltage: 750V AC at sea level
- Contact Resistance: <30mΩ
- Insulation Resistance: >1,000 MΩ
- Operating Temperature: 0° - +50°
- Storage Temperature: -40° - +60°

RoHS Compliant



PART NUMBER:

USB-A2HSXX

COLOR:
B: Black
W: White

PLATING: △
6: Selective Au Flash/50u" Ni
8: Selective 30u" Au/50u" Ni (USB 2.0)



THESE DRAWINGS AND SPECIFICATIONS ARE THE PROPERTY OF ON-SHORE TECHNOLOGY, INC. AND SHALL NOT BE REPRODUCED, COPIED OR USED IN ANY MANNER WITHOUT THE PRIOR WRITTEN CONSENT OF ON-SHORE TECHNOLOGY, INC.

TITLE		USB - A type, Horizontal, thru hole, Dual Port				
PART NO.		USB-A2HSXX		DWG NO.		USB-A2HSXX.DWG
APPROVED		CHECKED	DESIGNED	DRAWN	4050	
		Marvin 2002.03.12	Marvin 2002.03.12	Marvin 2002.03.12	Tolerance	
					UNIT: mm/inches	X° ±1°
					SCALE: NONE	X.XX ±0.30/.012
					SHEET: 01/01	X.XXX ±0.20/.008
					REV.: A	X.XXX ±0.10/.004