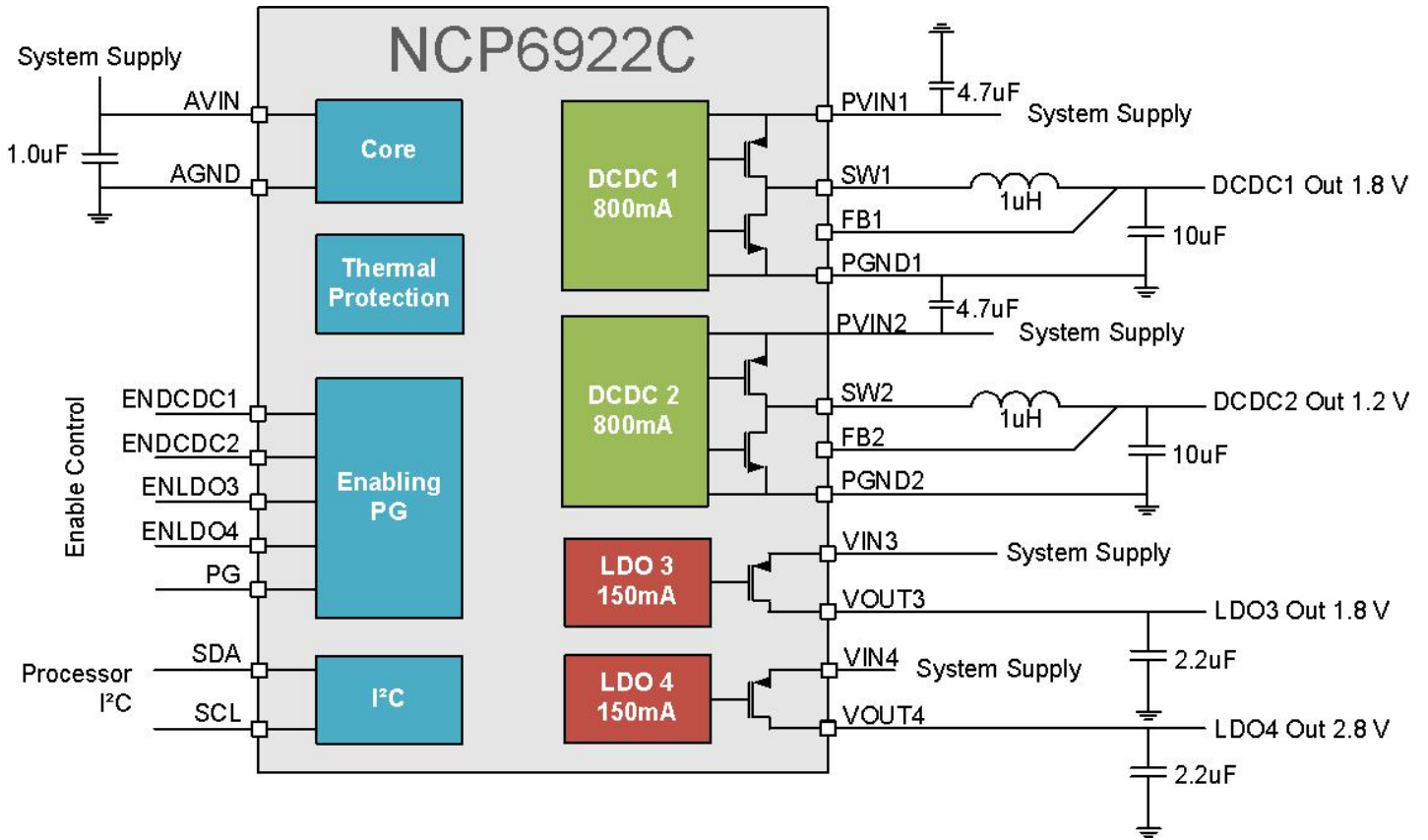


Application Diagram



For more information please contact your local sales support at www.onsemi.com.

Created on: 12/5/2018

Mouser Electronics

Authorized Distributor

Click to View Pricing, Inventory, Delivery & Lifecycle Information:

[ON Semiconductor:](#)

[NCP6922CCMTTXG](#) [NCP6922CBMTTXG](#) [NCP6922CDMTTXG](#)