

Binding Post - Uninsulated With Knurled Thumb - Nut-Grounded Type



INCHES (MILLIMETERS)
CUSTOMER DRAWINGS AVAILABLE UPON REQUEST

SPECIFICATIONS

Stud: Brass per QQ-B-626D

Finish: Nickel

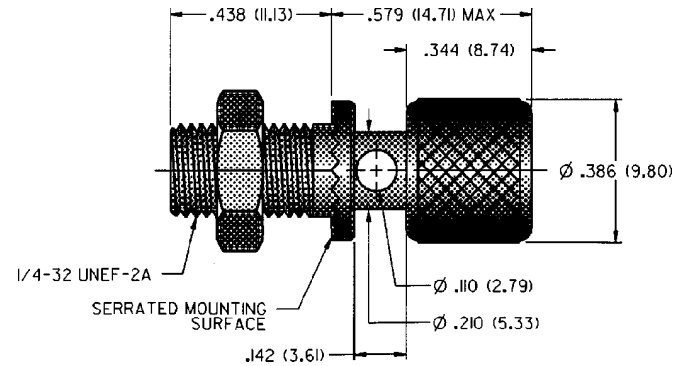
Hardware: Nickel plated nut (unassembled)

Panel Thickness: Up to .281 (7.15)

RATINGS

Current: 15 amps

NICKEL PLATING
PART NO.
111-2223-001



For Standard Banana Plug: .175 (4.44) Across Flats

FEATURES:

- Nickel plated stud with serrated mounting surface prevents turning
- Captive thumb nut .110 (2.79) diameter cross-hole accommodates up to 10 gauge wire

Mouser Electronics

Authorized Distributor

Click to View Pricing, Inventory, Delivery & Lifecycle Information:

[Cinch Connectivity Solutions:](#)

[111-2223-001](#)