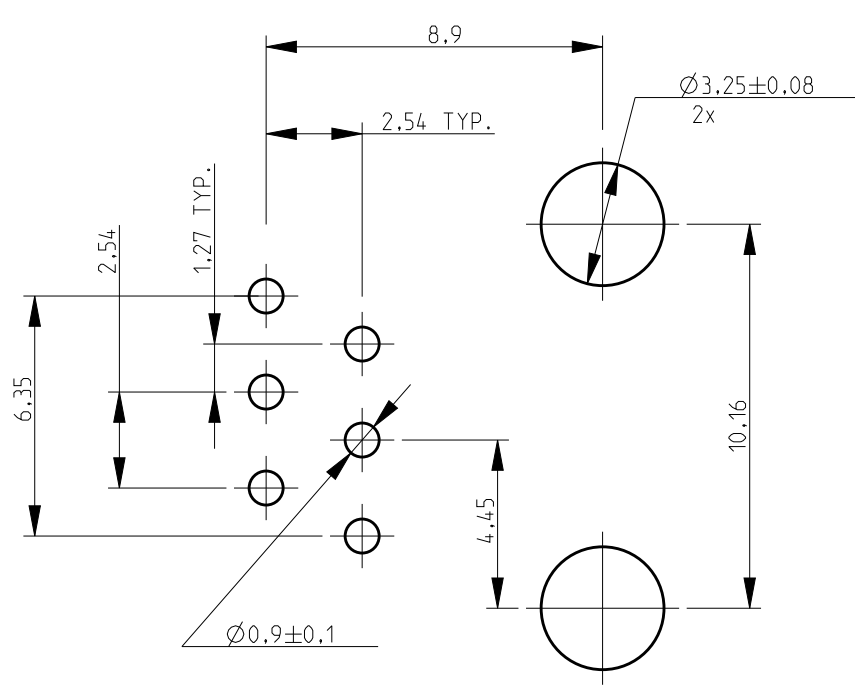
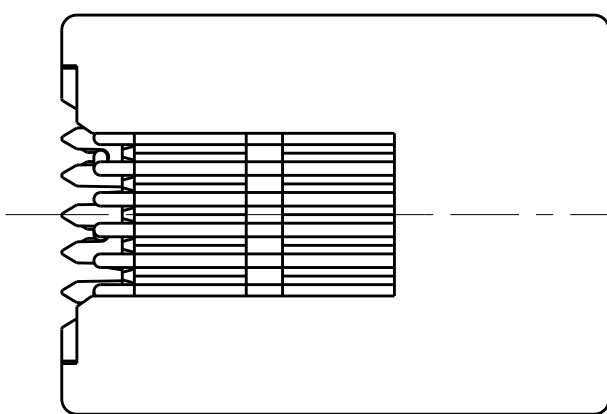
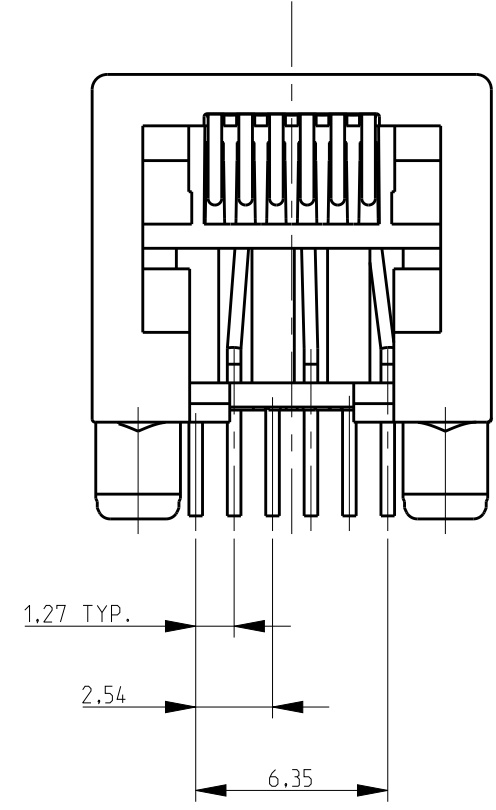
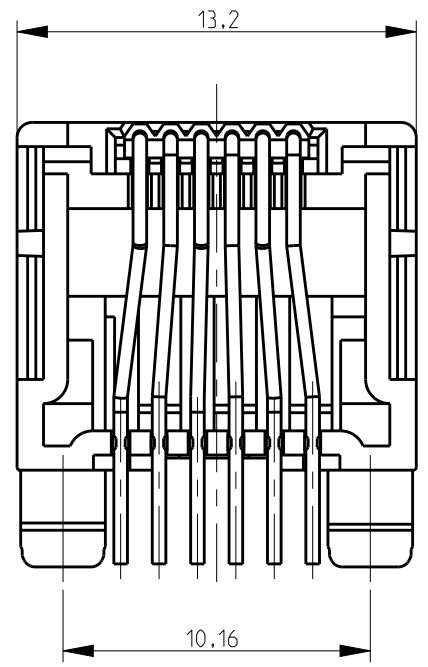
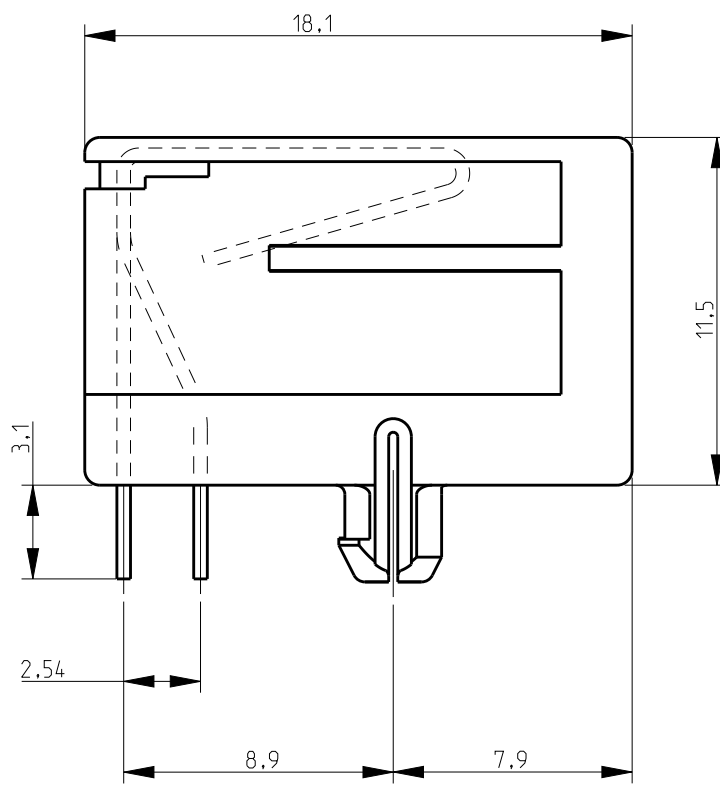
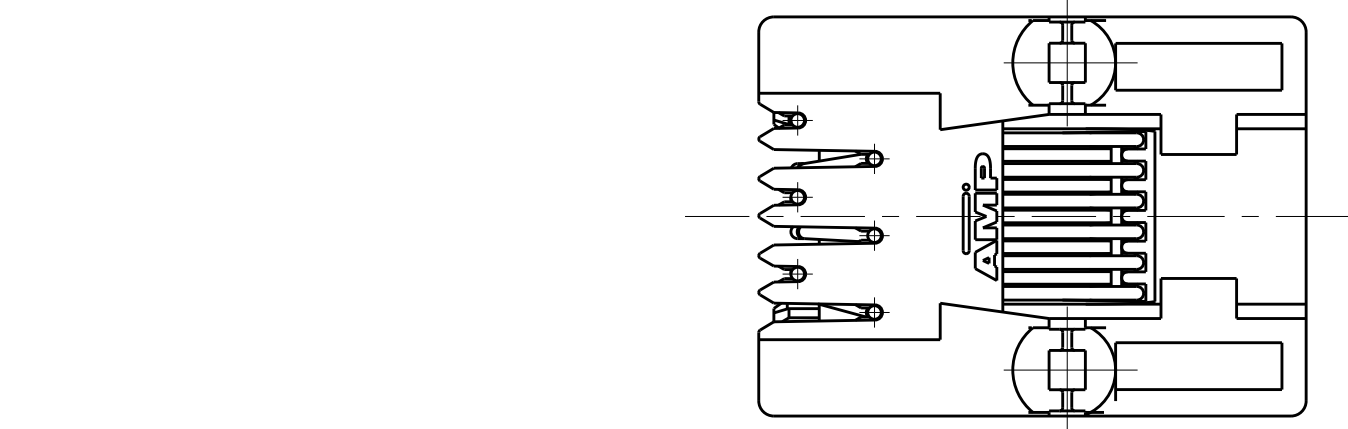


THIS DRAWING IS UNPUBLISHED. RELEASED FOR PUBLICATION 2000
 © COPYRIGHT 2000 ALL RIGHTS RESERVED.

LOC	DIST	REVISIONS					
		P	LTR	DESCRIPTION	DATE	DWN	APVD
IR	-	C		ECR-09-021454	29-09-09	PS	PCH
		C1		TE LOGO UPDATE	28APR11	RK	HMR
		C2		DURABILITY CYCLE UPDATED AFTER TESTING	26AUG11	PS	RRP
		D		ECO-17-017971	08DEC2017	AD	SH

- 1 SEE SHEET 2 FOR MODULAR JACK 6 POS./4 CONTACTS
- 2 FOR APPLICATION INFORMATION SEE SPEC. 114-19019.
- 3 TOLERANCES UNLESS OTHERWISE SPECIFIED: ± 0.15mm.
- 4 DURABILITY IS 200 CYCLES MAX ACCORDING TO TEST REPORT 502-19807 THIS WILL TAKE PRECEDENCE OVER THE PRODUCT SPECIFICATION.



PRINTED CIRCUIT BOARD LAYOUT (6 POS./6 CONTACTS)

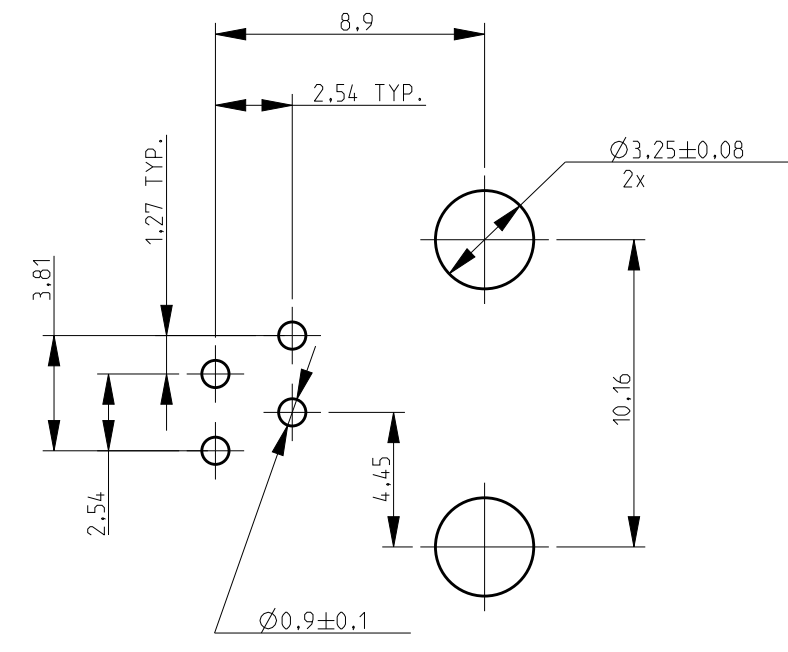
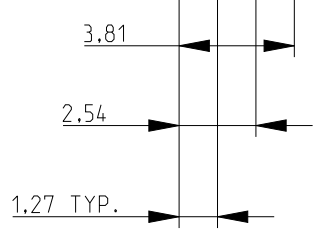
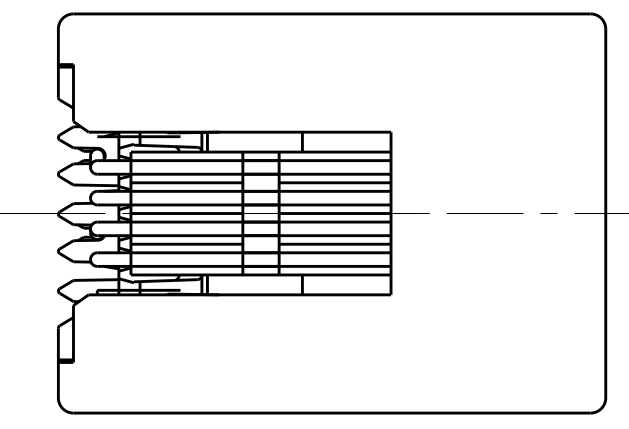
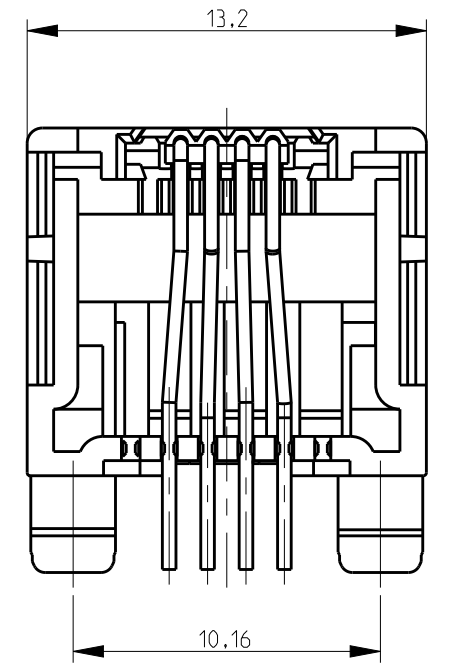
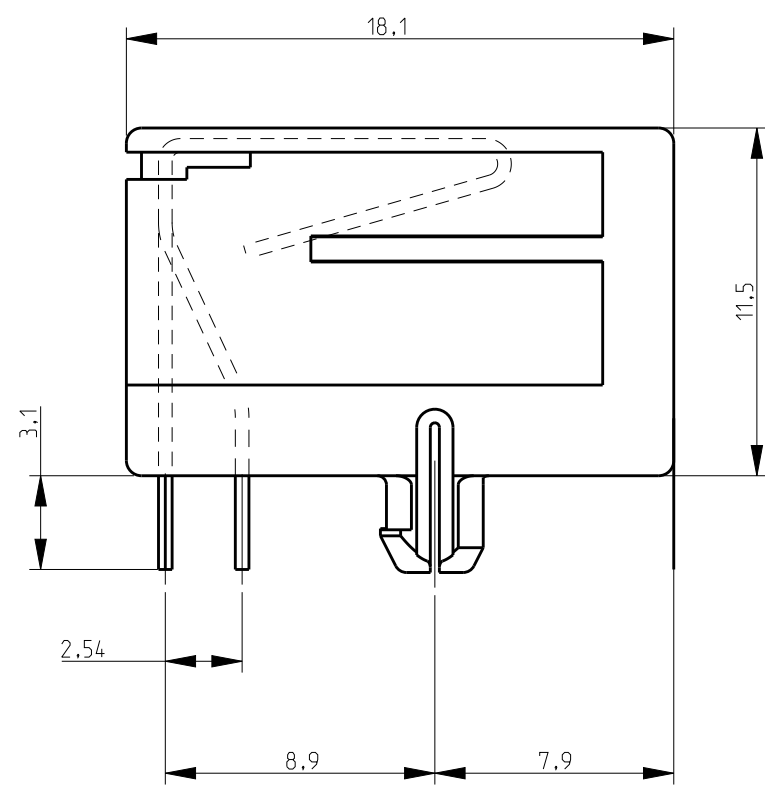
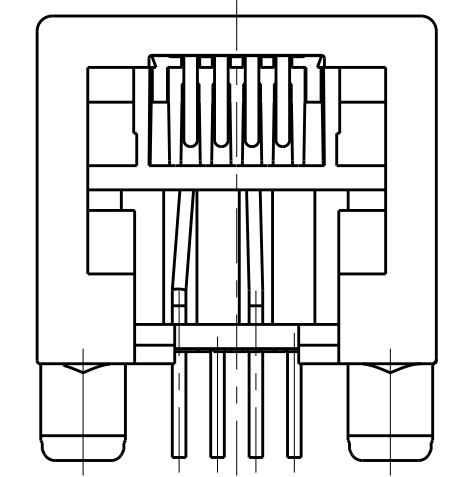
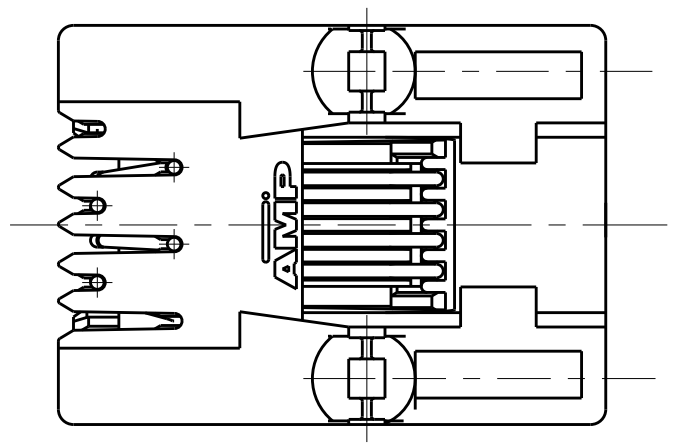
VIEW SHOWN IS CIRCUIT (NONCOMPONENT) SIDE OF BOARD
 PRINTED CIRCUIT BOARD THICKNESS: 1.6 mm NOMINAL.
 TOLERANCES UNLESS OTHERWISE SPECIFIED: ± 0.05

240 PIECES IN A TRAY	6 POS./6 CONTACTS.	IN CONTACT AREA: 0.15 µm MIN. SEL. GOLD OVER 1.2 µm MIN. NICKEL.	HOUSING COLOR BLACK PBT, UL 94 V-0	1-1705950-1
TAPE MOUNTED 800 PCS/REEL		SOLDER TINES: 2.5 µm MIN. TIN OVER 1.2 µm MIN. NICKEL.	CONTACT INSERT: PBT, UL 94 V-0	1705950-1
PACKAGING	REMARKS	FINISH	MATERIAL	P/N

THIS DRAWING IS A CONTROLLED DOCUMENT.		DWN J.V.D.HEIJDEN 14FEB05	TE Connectivity	
		CHK P.WILLEMS 14FEB05		
		APVD J.BROEKSTEEG 14FEB05	NAME MODULAR JACK, SIDE ENTRY, 6/6 FOR PRINTED CIRCUIT BOARD	
DIMENSIONS: mm 		PRODUCT SPEC 108-19064	RESTRICTED TO	
TOLERANCES UNLESS OTHERWISE SPECIFIED: 0 PLC ± 1 PLC ±0.1 2 PLC ±0.03 3 PLC ±0.005 4 PLC ±0.0010 ANGLES ± FINISH -		APPLICATION SPEC 114-19019	SIZE A2	CAGE CODE C-1705950
MATERIAL -		WEIGHT -	SCALE 4:1	SHEET 1 OF 2
CUSTOMER DRAWING		REV D		

THIS DRAWING IS UNPUBLISHED. RELEASED FOR PUBLICATION 2000
 © COPYRIGHT 2000 ALL RIGHTS RESERVED.

LOC	DIST	REVISIONS			
P	LTR	DESCRIPTION	DATE	DWN	APVD
IR	-	SEE SHEET 1	-	-	-



PRINTED CIRCUIT BOARD LAYOUT (6 POS./4 CONTACT)

[VIEW SHOWN IS (CIRCUIT (NONCOMPONENT) SIDE OF BOARD)
 PRINTED CIRCUIT BOARD THICKNESS: 1.6 mm NOMINAL.
 TOLERANCES UNLESS OTHERWISE SPECIFIED: ± 0.05.

- 1 SEE SHEET 1 FOR MODULAR JACK 6 POS./6 CONTACTS.
- 2 FOR APPLICATION INFORMATION SEE SPEC. 114-19019.
- 3 TOLERANCES UNLESS OTHERWISE SPECIFIED: ±0.15.
- 4 OBSOLETE
- 5. DURABILITY IS 200 CYCLES MAX ACCORDING TO TEST REPORT 502-19807 THIS WILL TAKE PRECEDENCE OVER THE PRODUCT SPECIFICATION.

4

OBSOLETE

OBSOLETE

PACKAGING	REMARKS	FINISH	MATERIAL	P/N
TAPE MOUNTED 800 PCS/REEL	6POS/ 4 CONTACTS	IN CONTACT AREA: 0.15 µm MIN. SEL. GOLD OVER 1.2 µm MIN. NICKEL	HOUSING COLOR YELLOW: PBT, UL 94 V-0 CONTACT INSERT: PBT, UL 94 V-0	1-1705950-3
240 PIECES IN A TRAY		SOLDER TINES: 2.5 µm MIN. TIN OVER 1.2 µm MIN. NICKEL	CONTACTS: Ph-BRONZE	
TAPE MOUNTED 800 PCS/REEL		IN CONTACT AREA: 0.15 µm MIN. SEL. GOLD OVER 1.2 µm MIN. NICKEL	HOUSING COLOR BLACK: PBT, UL 94 V-0 CONTACT INSERT: PBT, UL 94 V-0	1-1705950-2
		SOLDER TINES: 2.5 µm MIN. TIN OVER 1.2 µm MIN. NICKEL	CONTACTS: Ph-BRONZE	1705950-2
TAPE MOUNTED 800 PCS/REEL		IN CONTACT AREA: 0.15 µm MIN. SEL. GOLD OVER 1.2 µm MIN. NICKEL	HOUSING COLOR GREY: PBT, UL 94 V-0 CONTACT INSERT: PBT, UL 94 V-0	1705950-5
		SOLDER TINES: 2.5 µm MIN. TIN OVER 1.2 µm MIN. NICKEL	CONTACTS: Ph-BRONZE	
TAPE MOUNTED 800 PCS/REEL		HOUSING COLOR GREEN: PBT, UL 94 V-0 CONTACT INSERT: PBT, UL 94 V-0	CONTACTS: Ph-BRONZE	1705950-4

THIS DRAWING IS A CONTROLLED DOCUMENT.

DWN	J.V.D.HEIJDEN	14FEB05
CHK	P.WILLEMS.	14FEB05
APVD	J.BROEKSTEGG.	14FEB05

PRODUCT SPEC: 108-19064
 APPLICATION SPEC: 114-19019

STE TE Connectivity

NAME: MODULAR JACK, SIDE ENTRY, 6/6 FOR PRINTED CIRCUIT BOARD

SIZE: A2 CAGE CODE: - DRAWING NO: C-1705950 RESTRICTED TO: -

CUSTOMER DRAWING SCALE: 4:1 SHEET 2 OF 2 REV D

Mouser Electronics

Authorized Distributor

Click to View Pricing, Inventory, Delivery & Lifecycle Information:

[TE Connectivity:](#)

[1-1705950-1](#)